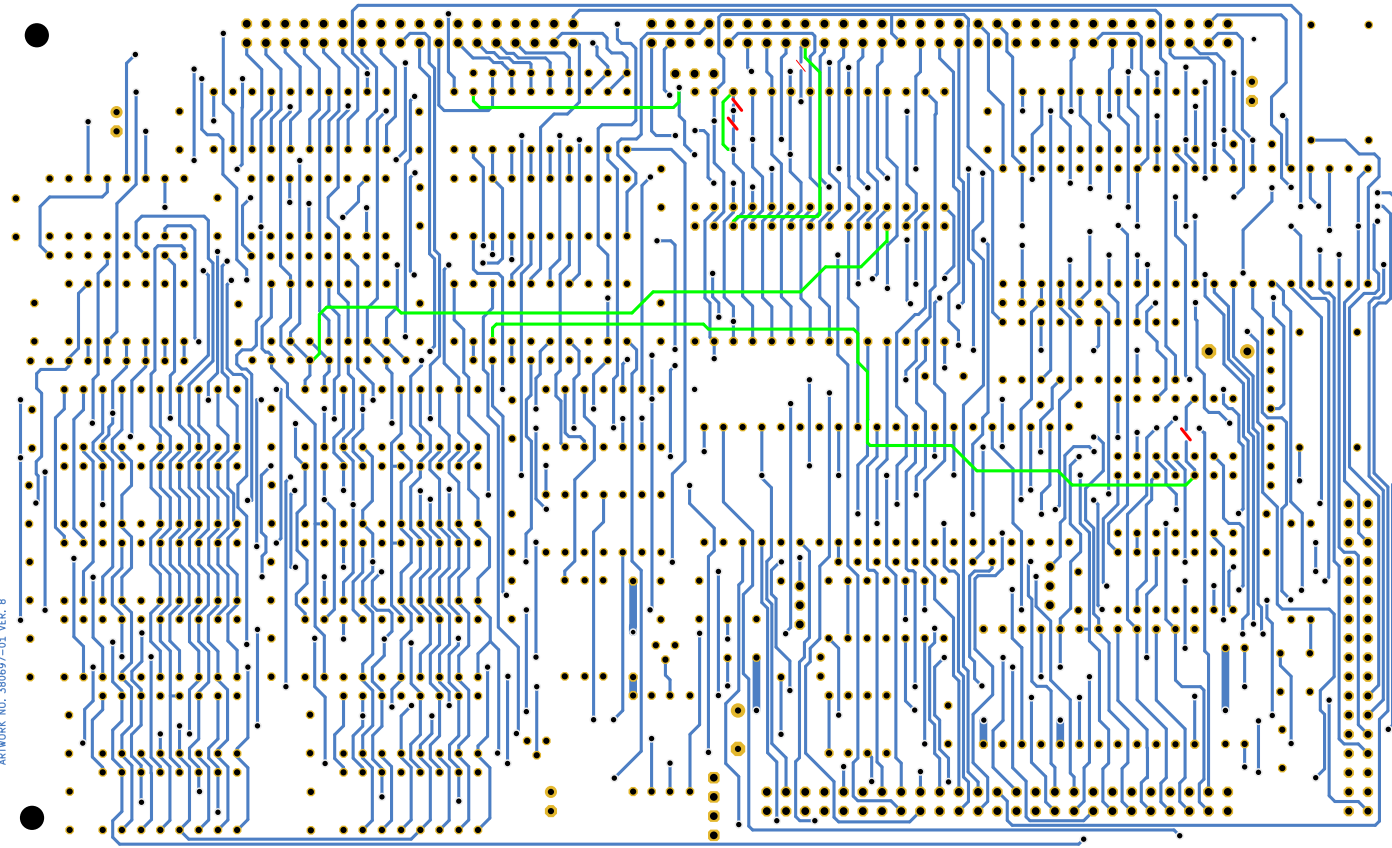


ARTWORK NO. 380697-01 VER. B



Sheet:  
File: A2286\_Baby\_R8\_1.kicad\_pcb

**Title:**

Size: A4  
KiCad E.D.A. 8.0.1

Date:

Rev:  
Id: 1/1