

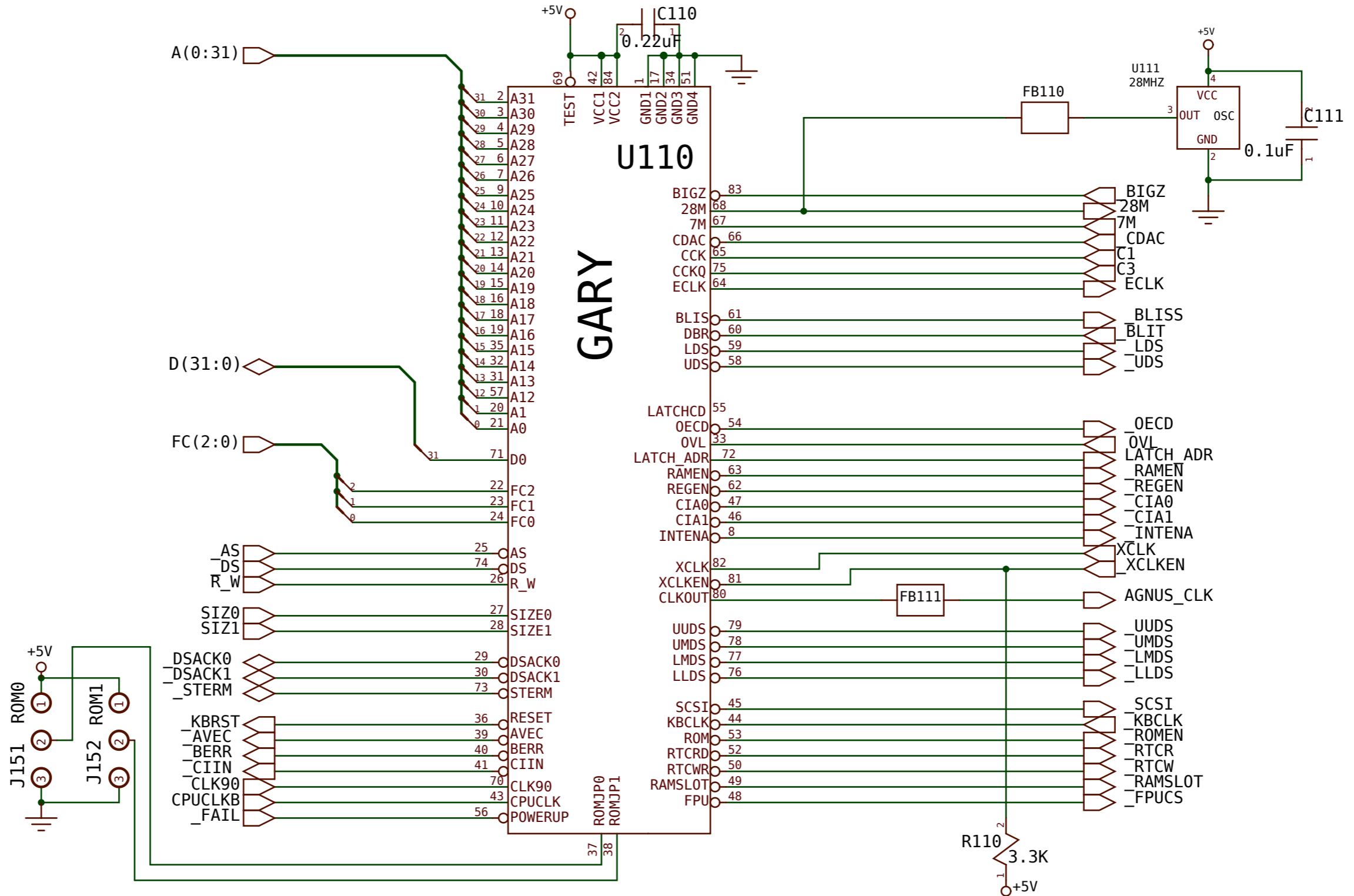
Amiga

A3000D

Rev.1.38 (03.01.2014)

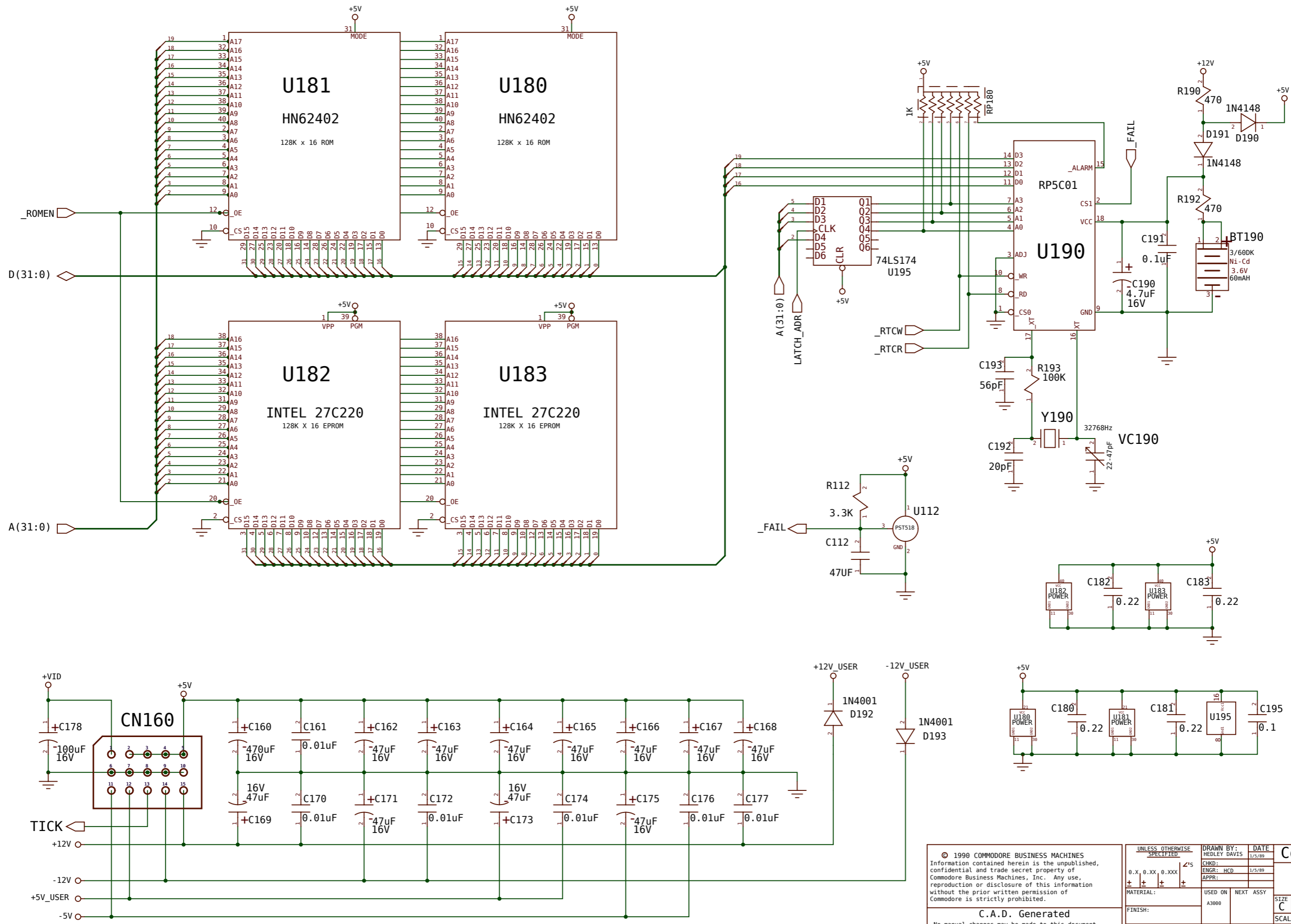


www.amigawiki.org



Rev.1.38 (03.01.2014)

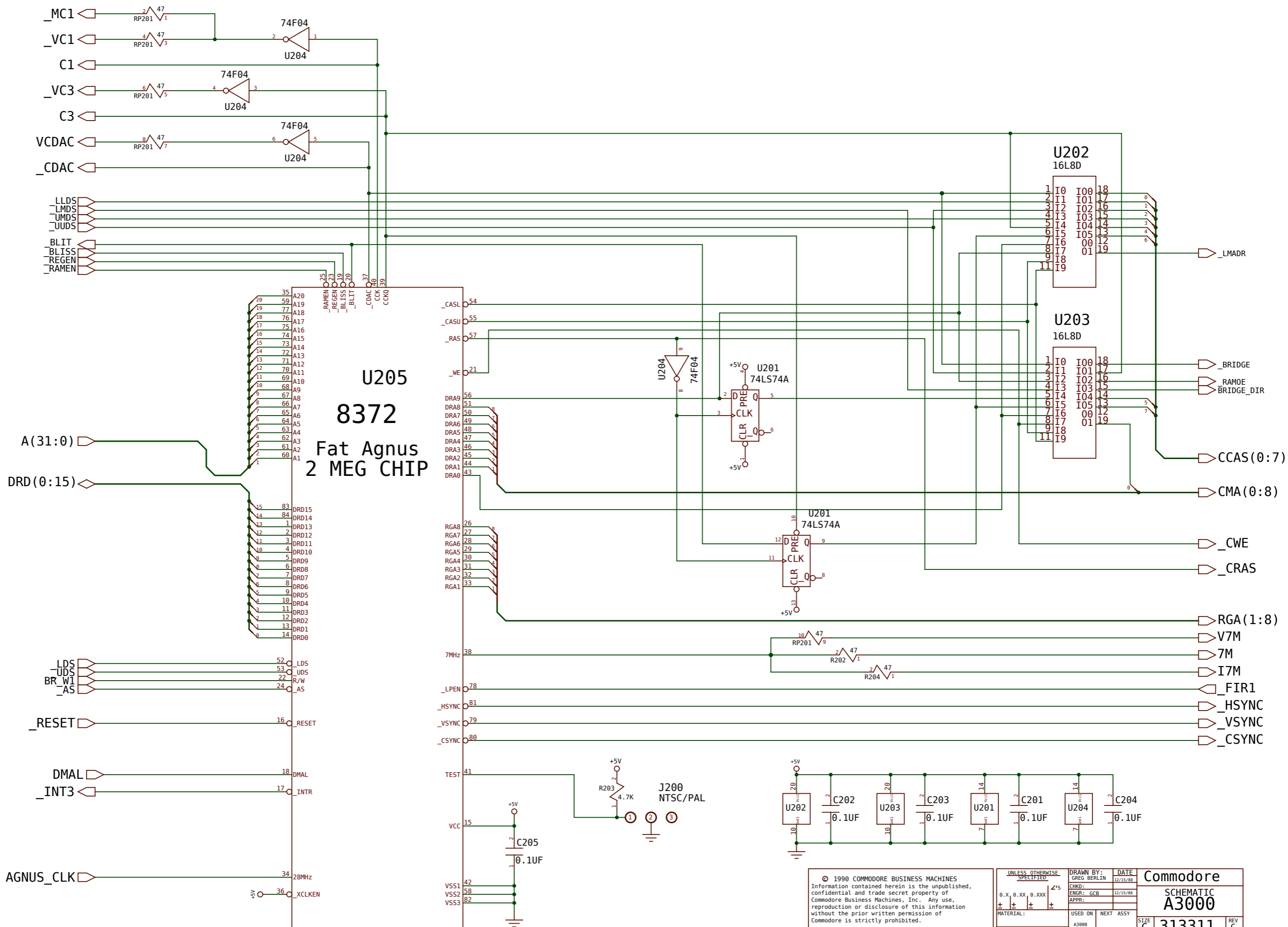
| | | | | | |
|--|----------------------------|--------------------------|----------------|--|----------|
| © 1990 COMMODORE BUSINESS MACHINES Information contained herein is the unpublished, confidential and trade secret property of Commodore Business Machines, Inc. Any use, reproduction or disclosure of this information without the prior written permission of Commodore is strictly prohibited. | UNLESS OTHERWISE SPECIFIED | DRAWN BY: GREG BERLIN | DATE: 12/15/88 | Commodore SCHEMATIC A3000 | |
| | 0.X, 0.XX, 0.XXX | CHKD: | ENGR: GCB | | 12/15/88 |
| | ± ± ± ± | APPR: | | | |
| | MATERIAL: | USED ON: A3000 | NEXT ASSY: | | |
| FINISH: | | | | SIZE C 313311 REV C SCALE NONE SHEET 4 OF 18 | |
| C.A.D. Generated No manual changes may be made to this document | | PATH: -/a3000/a3000 gary | | | |



Rev. 1.38 (03.01.2014)

| | | | | | |
|--|--|---|------------------------------|---|--|
| © 1990 COMMODORE BUSINESS MACHINES Information contained herein is the unpublished, confidential and trade secret property of Commodore Business Machines, Inc. Any use, reproduction or disclosure of this information without the prior written permission of Commodore is strictly prohibited. | | UNLESS OTHERWISE SPECIFIED 0.X, 0.XX, 0.XXX ± ± ± ± | | DRAWN BY: HEDLEY DAVIS DATE: 1/5/89 CHKD: ENGR: HCD APPR: | Commodore SCHEMATIC A3000 |
| C.A.D. Generated No manual changes may be made to this document | | MATERIAL: FINISH: | USED ON: A3000 NEXT ASSY: | SIZE: C 313311 SCALE: NONE | REV: C SHEET: 5 OF 18 |

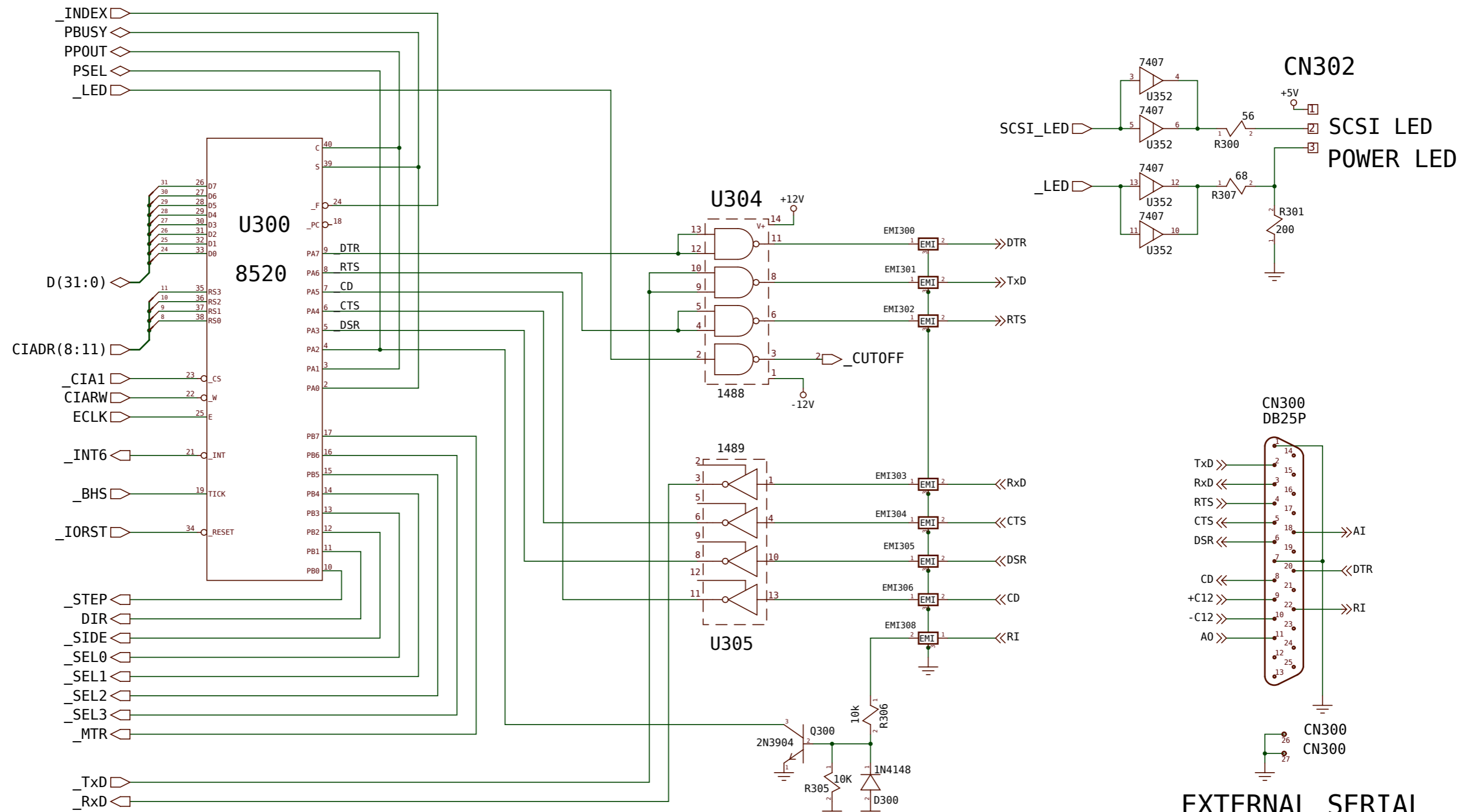
PATH: ~/a3000/a3000 rtc



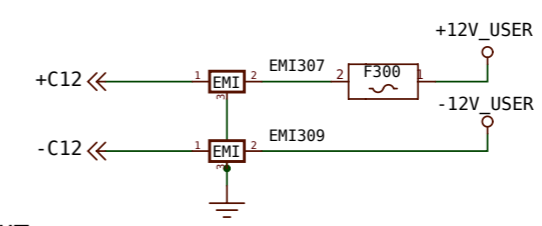
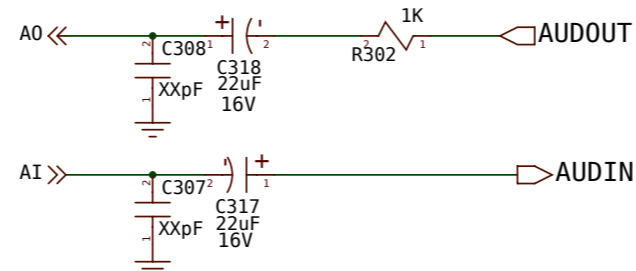
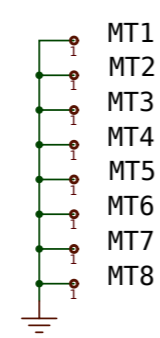
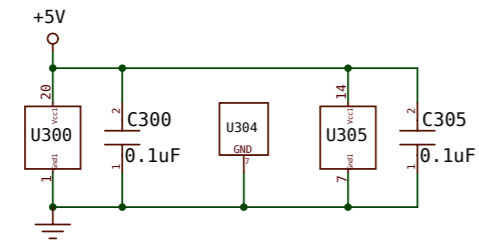
Rev. 1.38 (03.01.2014)

| | | | | | | | |
|--|--|---|--|--|--|--|--|
| © 1990 COMMODORE BUSINESS MACHINES Information contained herein is the unpublished, confidential and trade secret property of Commodore Business Machines, Inc. Any use, reproduction or disclosure of this information without the prior written permission of Commodore is strictly prohibited. | | UNLESS OTHERWISE SPECIFIED DIMENSIONS IN MILLIMETERS 0.X, 0.XX, 0.XXX ±.15 ±.25 ±.25 ±.25 ±.25 | | DRAWN BY: GREG BERLIN DATE: 12/15/88 CHKD: GCB ENGR: GCB APPR: GCB | | Commodore SCHEMATIC A3000 | |
| C.A.D. Generated No manual changes may be made to this document | | FINISH: A3000 | | USED ON NEXT ASSY | | SIZE: C SCALE: NONE SHEET: 6 OF 17 | |

PATH: -/a3000/a3000 agnus

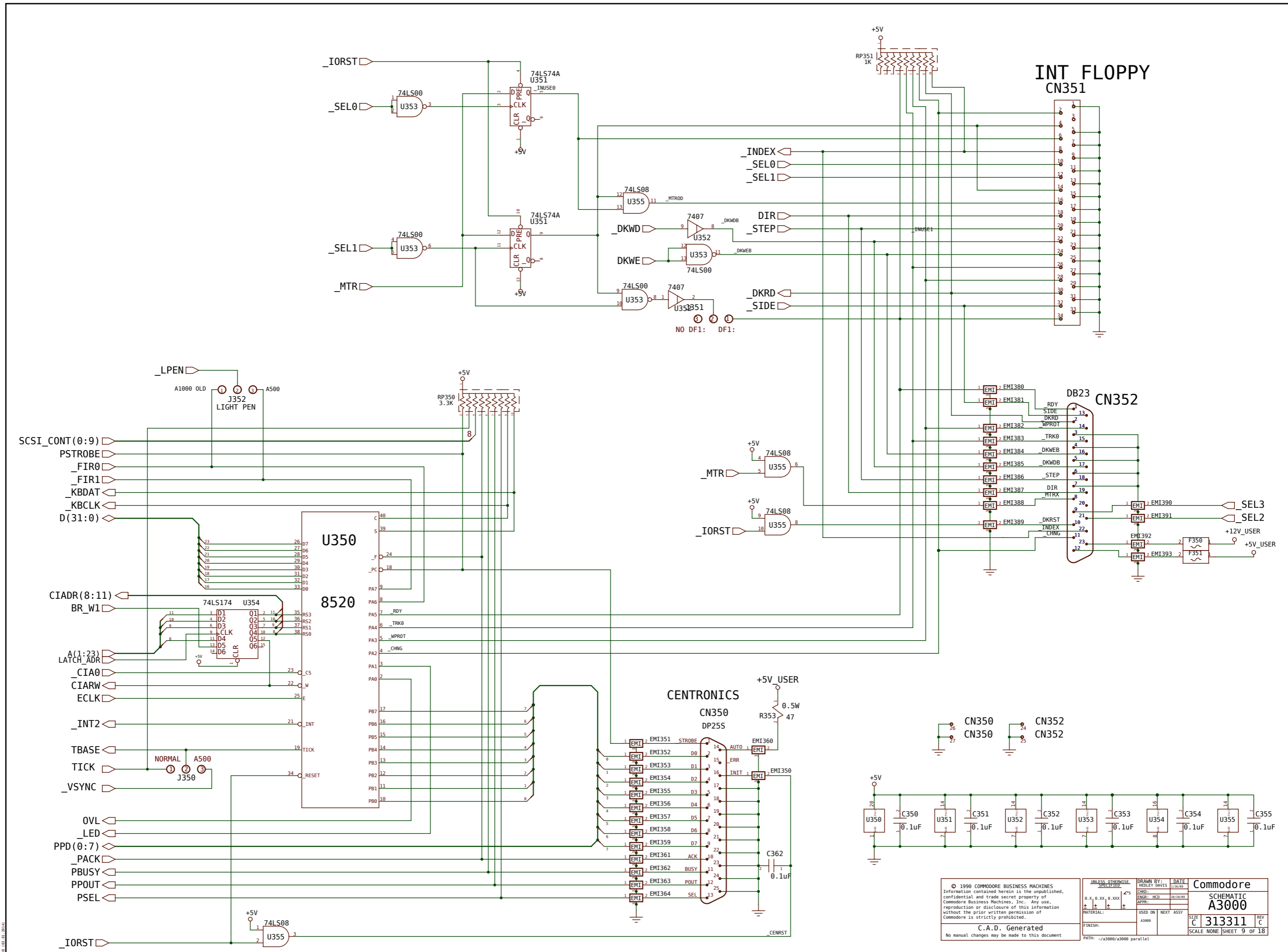


EXTERNAL SERIAL

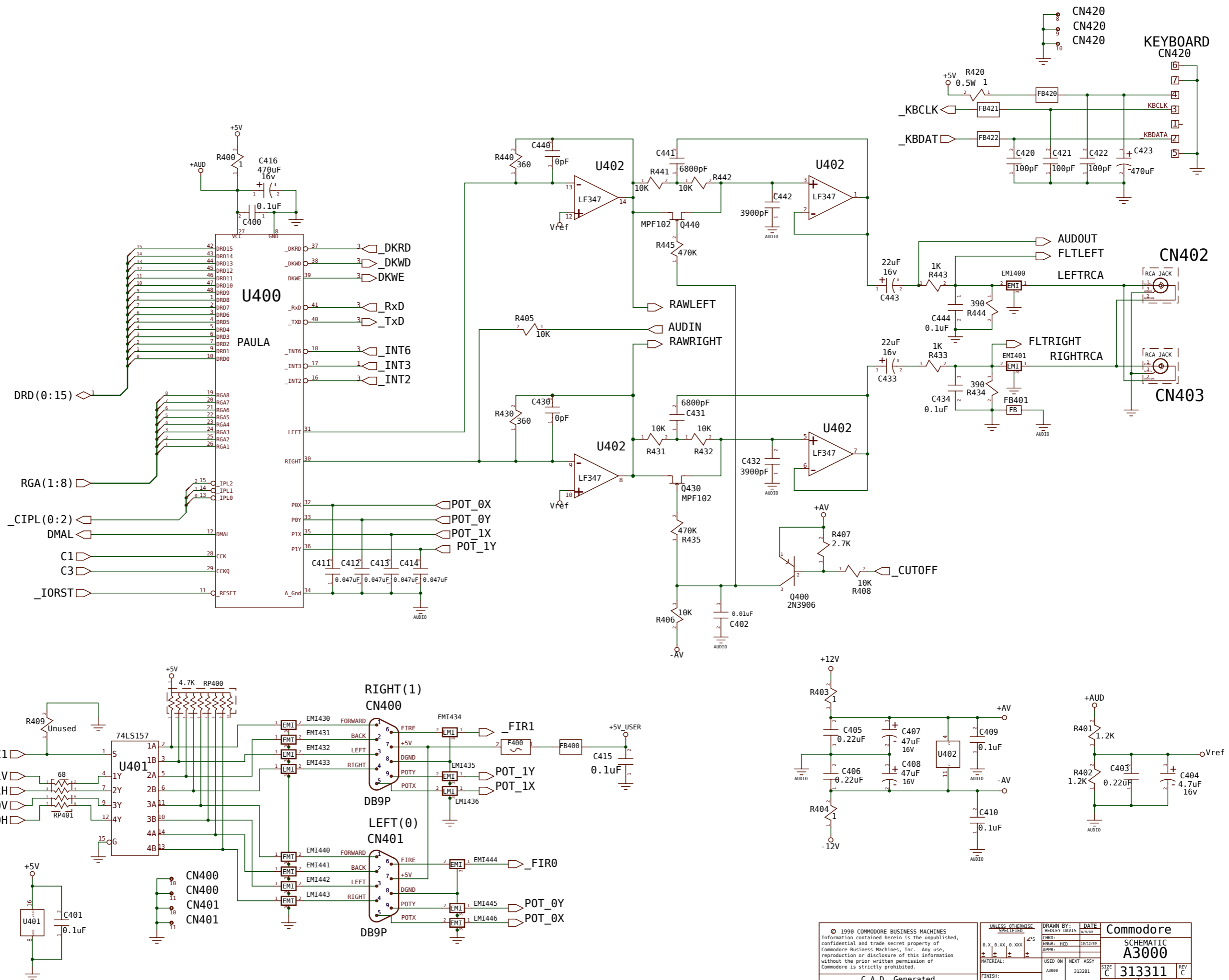


| | | | | |
|--|--|----------------------------|---|---------------------------------|
| © 1990 COMMODORE BUSINESS MACHINES Information contained herein is the unpublished, confidential and trade secret property of Commodore Business Machines, Inc. Any use, reproduction or disclosure of this information without the prior written permission of Commodore is strictly prohibited. | | UNLESS OTHERWISE SPECIFIED | DRAWN BY: DAVE HAYNIE DATE: 12/15/88 | Commodore SCHEMATIC A3000 |
| C.A.D. Generated No manual changes may be made to this document | | MATERIAL: A3000 | USED ON NEXT ASSY | |
| PATH: ~/a3000/a3000 serial | | SIZE: C | 313311 | REV: C |
| | | SCALE: NONE | SHEET: 8 | OF: 18 |

Rev. 1.38 (03.01.2014)

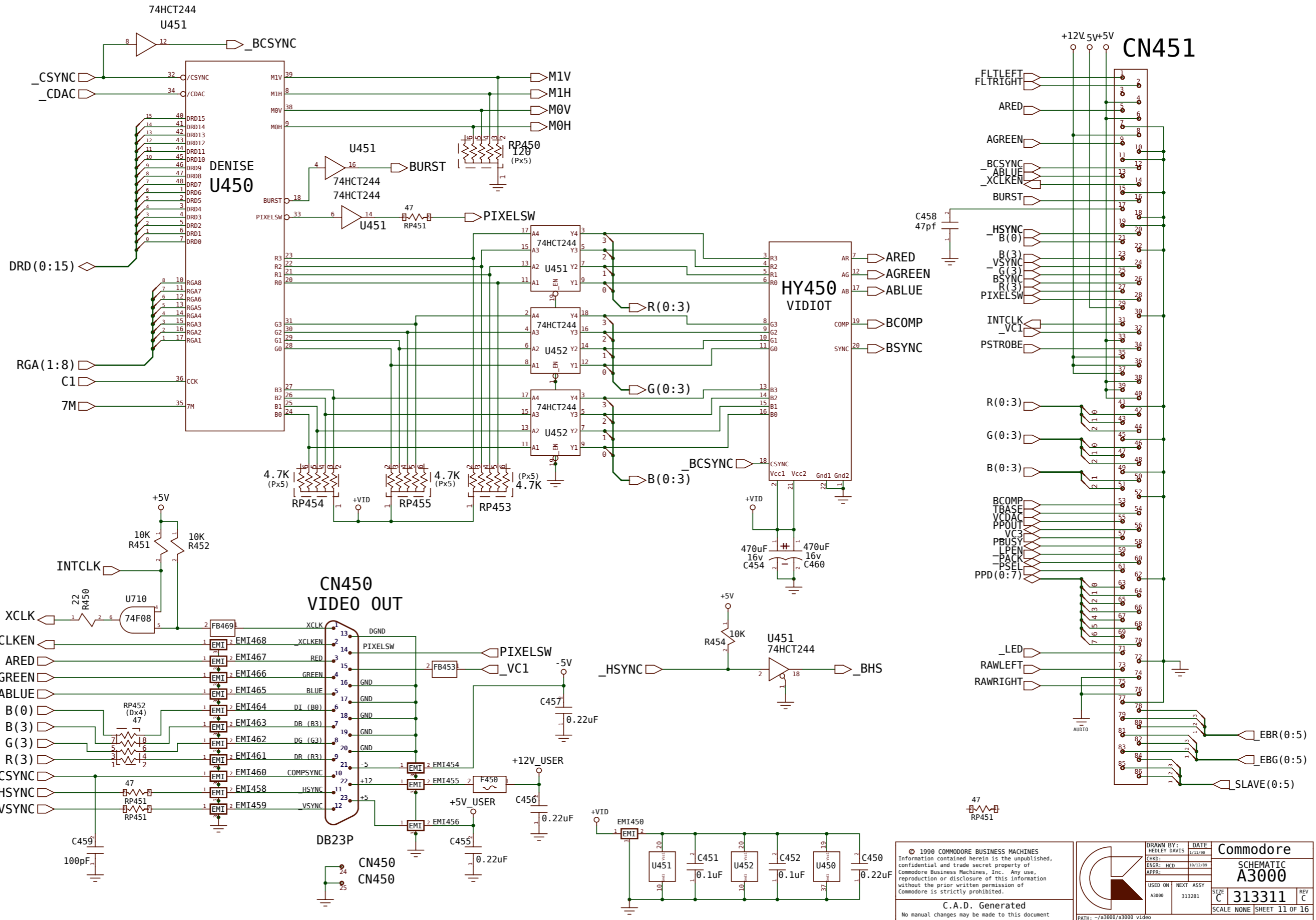


| | | | | |
|---|--|--|--|--|
| © 1990 COMMODORE BUSINESS MACHINES Information contained herein is the unpublished, confidential and trade secret property of Commodore Business Machines, Inc. Any use, reproduction or disclosure of this information without the prior written permission of Commodore is strictly prohibited. | | UNLESS OTHERWISE SPECIFIED: 0, X, 0, XX, 0, XXX + + + + + MATERIAL: A3000 FINISH: | DRAWN BY: HIDELEY DAVIES CHKD: ENGR: HCD APPR: USED ON NEXT ASSY DATE: 1/26/89 10/18/89 | Commodore A3000 SCHEMATIC 313311 SCALE NONE SHEET 9 OF 18 PATH: -/a3000/a3000 parallel |
|---|--|--|--|--|



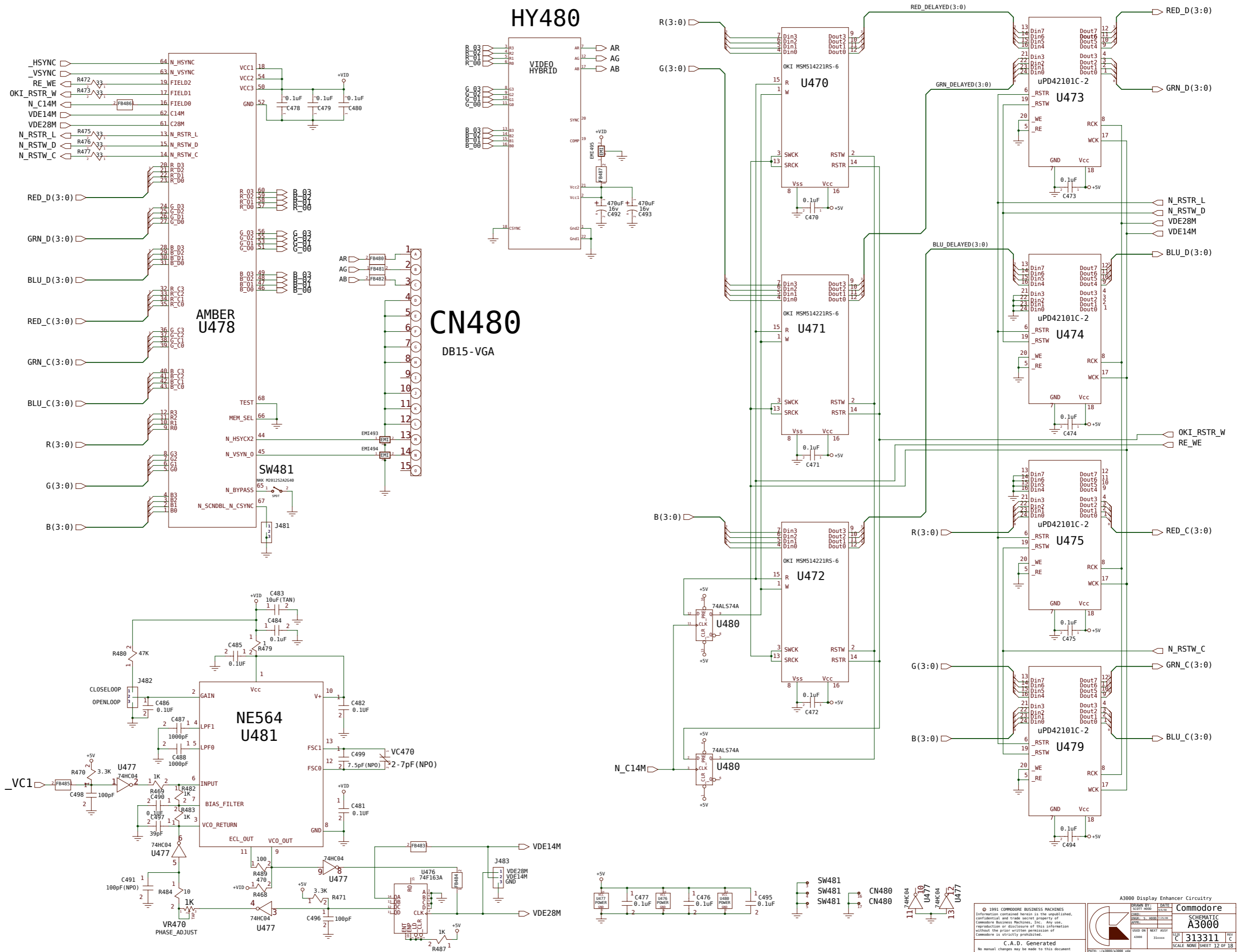
| | | | | |
|---|--|--|--|--|
| © 1990 COMMODORE BUSINESS MACHINES Information contained herein is the unpublished, confidential and trade secret property of Commodore Business Machines, Inc. Any use, reproduction or disclosure of this information without the prior written permission of Commodore is strictly prohibited. | | UNLESS OTHERWISE SPECIFIED: DIMENSIONS: 1/16" ± 0.001" | DRAWN BY: HEDLEY DAVIS DATE: 8/9/89 ENGR: HCD APPR: | Commodore SCHEMATIC A3000 |
| C.A.D. Generated No manual changes may be made to this document | FINISH: A3000 USED ON: 313281 NEXT ASSY: | SIZE: C SCALE: NONE SHEET: 10 OF 18 | PATH: ~/a3000/a3000.aud | |

Rev. 1.138 (03.01.2014)



| | | | | | |
|---|--|--|--|-------------|--|
| © 1990 COMMODORE BUSINESS MACHINES Information contained herein is the unpublished, confidential and trade secret property of Commodore Business Machines, Inc. Any use, reproduction or disclosure of this information without the prior written permission of Commodore is strictly prohibited. | | DRAWN BY: HEDLEY DAVIS DATE: 11/11/89 | | Commodore | |
| CHKD: HEDLEY DAVIS | | 18/12/89 | | SCHEMATIC | |
| EMGR: HEDLEY DAVIS | | APP: A3000 | | A3000 | |
| USED ON: A3000 | | NEXT ASSY: 313281 | | SIZE: C | |
| C.A.D. Generated | | No manual changes may be made to this document | | SCALE: NONE | |
| PATH: -/a3000/a3000 video | | SHEET 11 OF 16 | | REV C | |

Rev: 1.31 (03_01_2014)



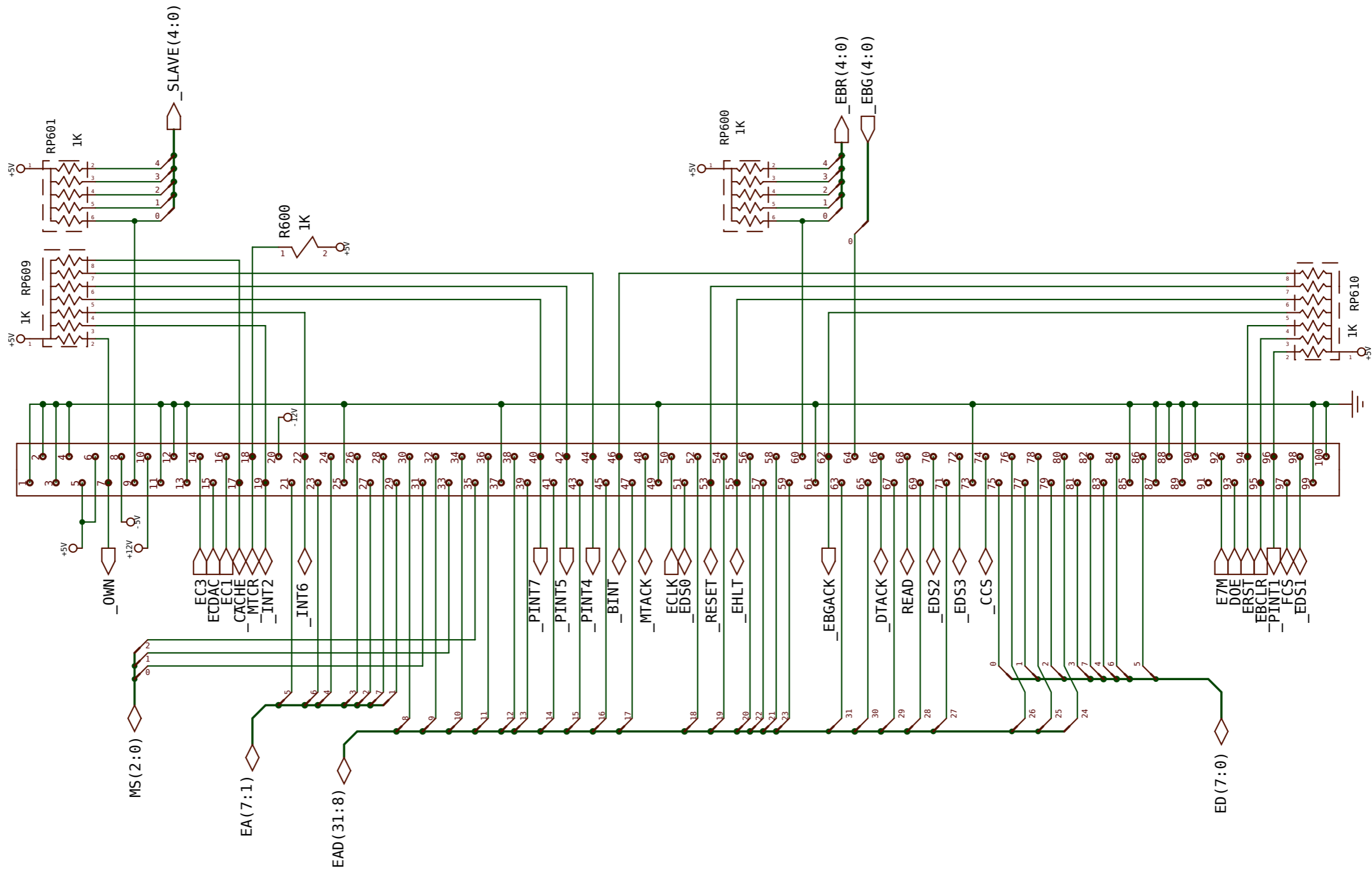
104-1, 104-10, 104-100, 104-1000

© 1991 COMMODORE BUSINESS MACHINES
 Information contained herein is the unpublished,
 confidential and trade secret property of
 Commodore Business Machines, Inc. Any use,
 reproduction or disclosure of this information
 without the prior written permission of
 Commodore is strictly prohibited.

| | |
|---|---|
| A3000 Display Enhancer Circuitry | |
| DRAWN BY: SCOTT MOORE DATE: 10/1/90 DESIGNED BY: SCOTT MOORE DATE: 10/1/90 CHECKED BY: SCOTT MOORE DATE: 10/1/90 | COMMODORE A3000 SCHEMATIC C 313311 SCALE: NONE (SHEET 12 OF 18) |


C.A.D. Generated
 No manual changes may be made to this document

CN600



© 1990 COMMODORE BUSINESS MACHINES
 Information contained herein is the unpublished, confidential and trade secret property of Commodore Business Machines, Inc. Any use, reproduction or disclosure of this information without the prior written permission of Commodore is strictly prohibited.

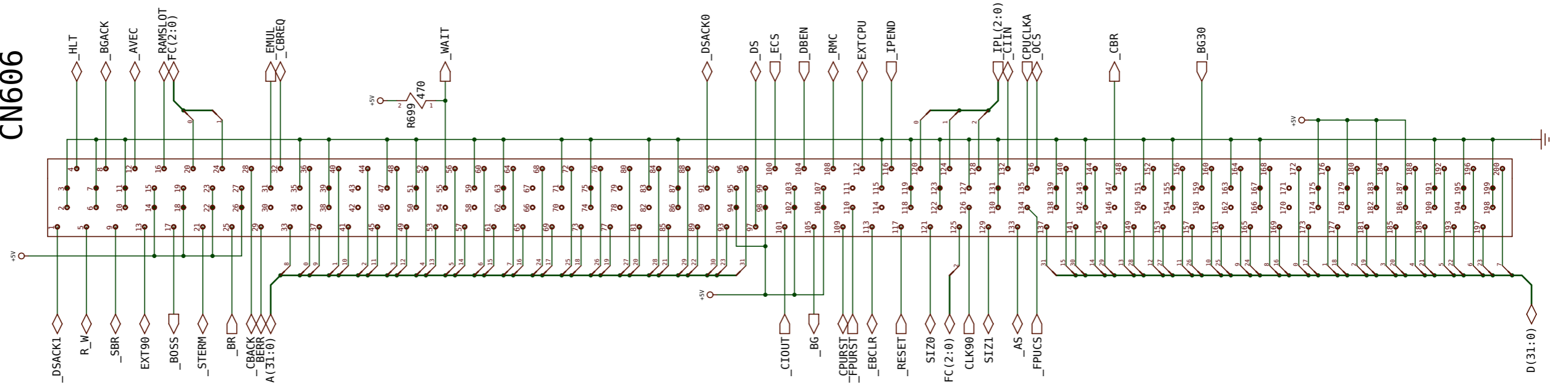
C.A.D. Generated
 No manual changes may be made to this document

| | | | | |
|---|--|--------------------------|---|--------|
|  | DRAWN BY: DAVE HAYNIE CHKD: ENGR: DBH APPR: | DATE: 8/29/89 8/29/89 | Commodore SCHEMATIC A3000 | |
| | USED ON: A3000 NEXT ASSY: | SIZE: C 313311 | | REV: C |
| | SCALE: NONE SHEET 13 OF 18 | | | |

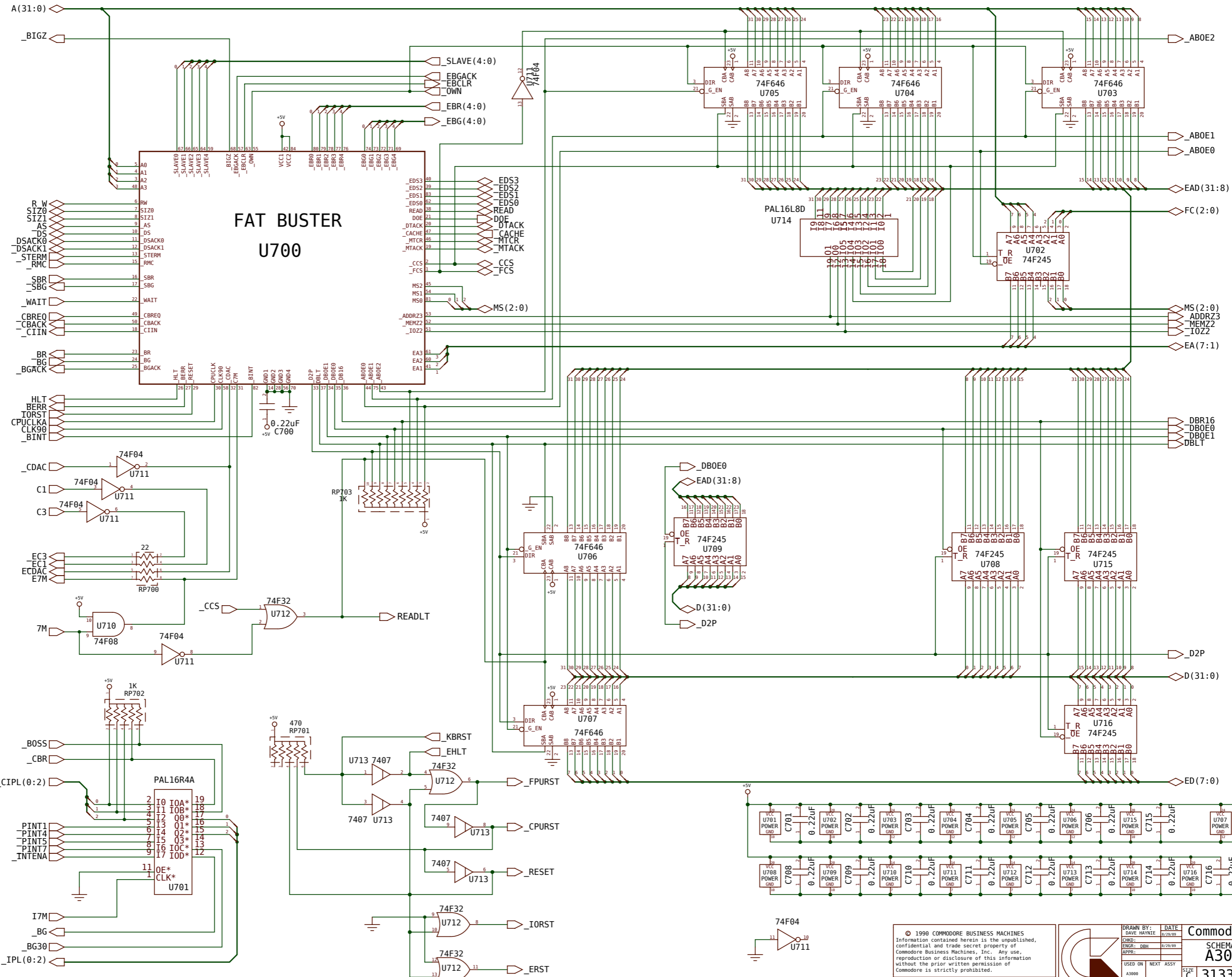
PATH: ~/a3000/a3000 exp 1500

Amiga 32 BIT LOCAL SLOT

CN606



| | | | | | |
|--|--|--|--|---------------------------|--|
| © 1990 COMMODORE BUSINESS MACHINES Information contained herein is the unpublished, confidential and trade secret property of Commodore Business Machines, Inc. Any use, reproduction or disclosure of this information without the prior written permission of Commodore is strictly prohibited. | | DRAWN BY: DATE DAVE HAYWIE 8/29/89 | | Commodore | |
| CHKD: ENGR: DBH APPR: | | USED ON NEXT ASSY | | SCHEMATIC A3000 | |
| C.A.D. Generated | | No manual changes may be made to this document | | SIZE C 313311 REV C | |
| PATH: ~\a3000\A3000 exp.other | | | | SCALE NONE SHEET 15 OF 18 | |

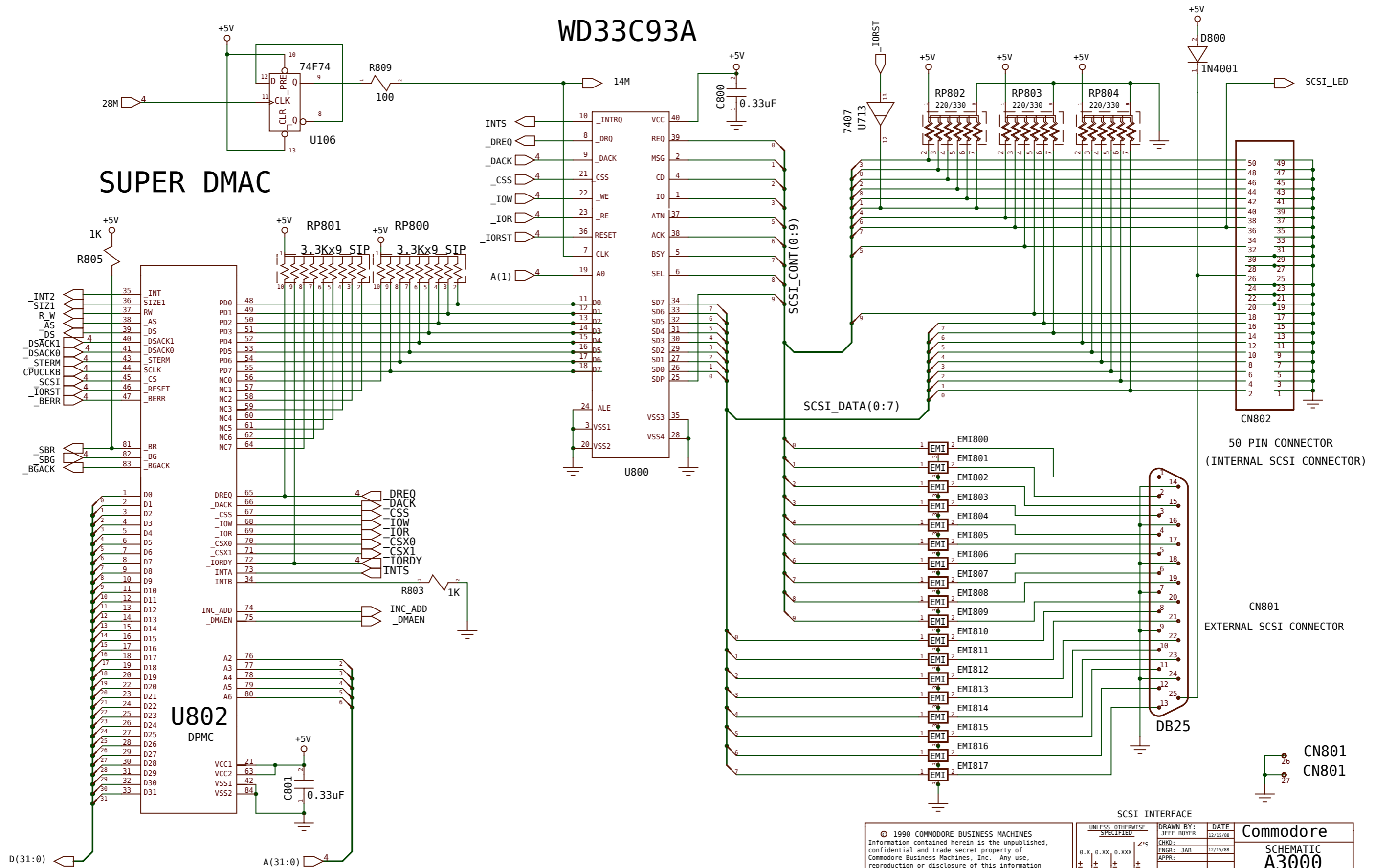


Rev. 1.13B (05.01.2014)

| | | | |
|---|--|--|---|
| © 1990 COMMODORE BUSINESS MACHINES Information contained herein is the unpublished, confidential and trade secret property of Commodore Business Machines, Inc. Any use, reproduction or disclosure of this information without the prior written permission of Commodore is strictly prohibited. | | DRAWN BY: DAVE HAYNIE ENGR: DBH APPR: DATE: 8/29/89 | Commodore A3000 SCHEMATIC A3000 SIZE C 313311 REV C SCALE NONE SHEET 16 OF 18 |
| C.A.D. Generated No manual changes may be made to this document | | USED ON NEXT ASSY A3000 | PATH: -/a3000/a3000_exp.Logic |

WD33C93A

SUPER DMAC



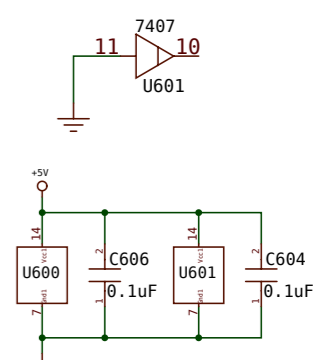
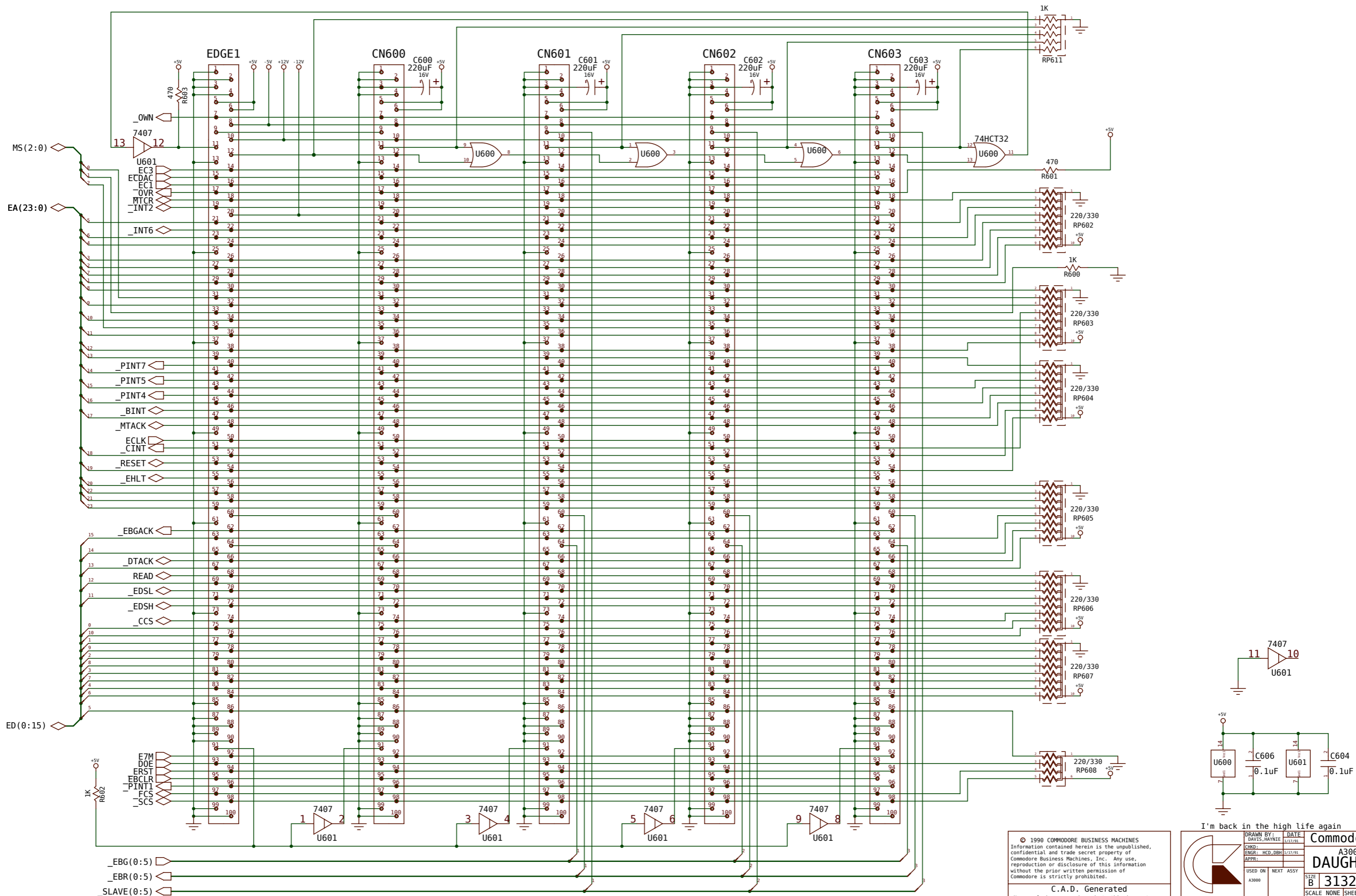
SCSI INTERFACE

© 1990 COMMODORE BUSINESS MACHINES
 Information contained herein is the unpublished, confidential and trade secret property of Commodore Business Machines, Inc. Any use, reproduction or disclosure of this information without the prior written permission of Commodore is strictly prohibited.

C.A.D. Generated
 No manual changes may be made to this document

| | | | |
|----------------------------|----------------------|-------------------|-------------------------------------|
| UNLESS OTHERWISE SPECIFIED | DRAWN BY: JEFF BOYER | DATE: 12/15/88 | Commodore SCHEMATIC A3000 |
| 0.X, 0.XX, 0.XXX | CHKD: ENGR: JAB | 12/15/88 | |
| ± ± ± | APPR: | | |
| MATERIAL: | USED ON: A3000 | NEXT ASSY: 313281 | SIZE: C |
| FINISH: | | | SCALE: NONE |
| | | | SHEET: 17 OF 18 |

Rev. 1.38 (03-01-2014)



© 1990 COMMODORE BUSINESS MACHINES
 Information contained herein is the unpublished,
 confidential and trade secret property of
 Commodore Business Machines, Inc. Any use,
 reproduction or disclosure of this information
 without the prior written permission of
 Commodore is strictly prohibited.

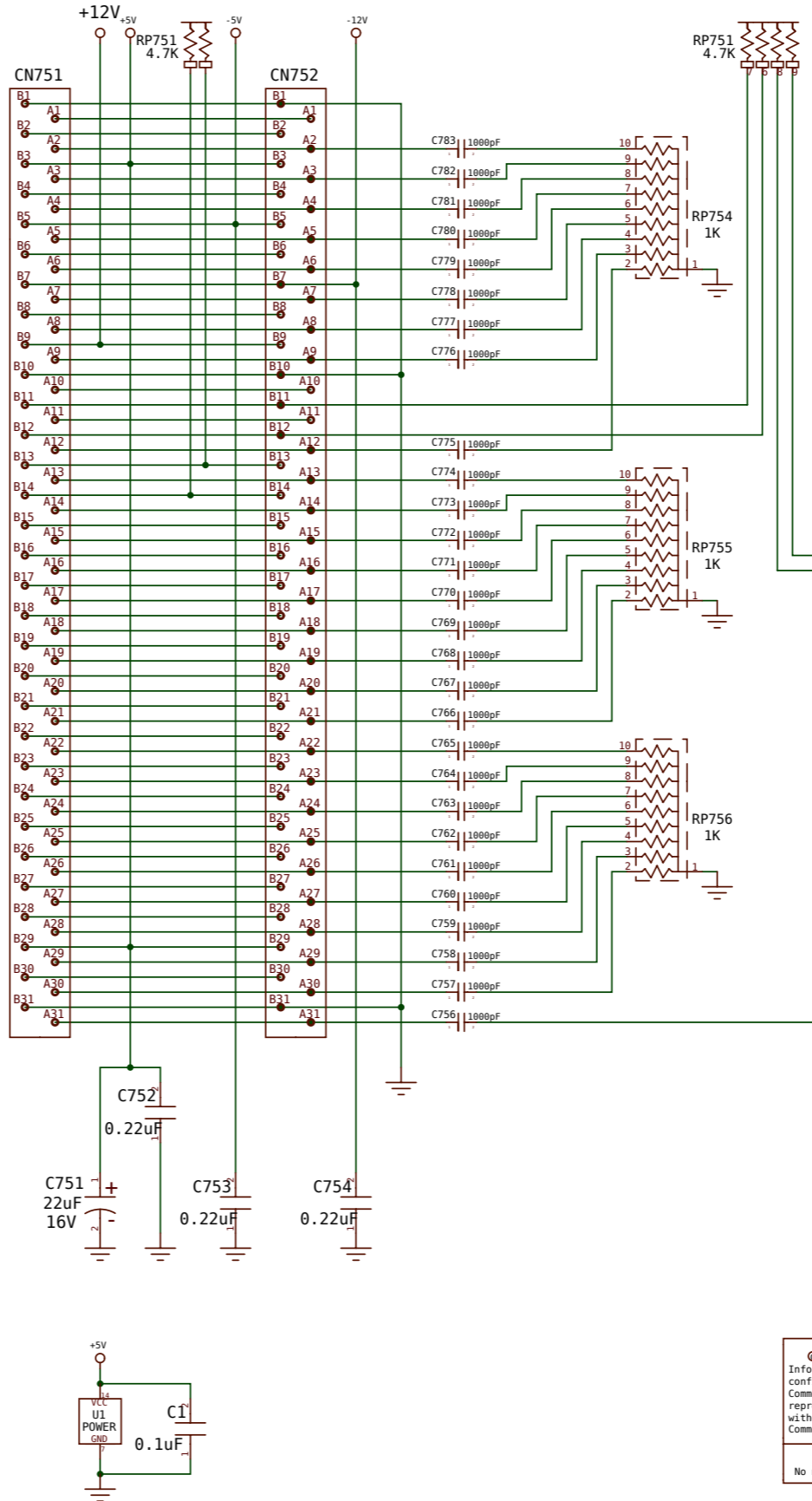
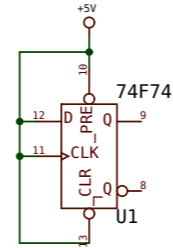
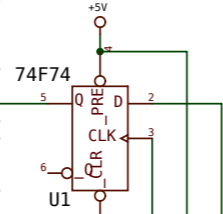
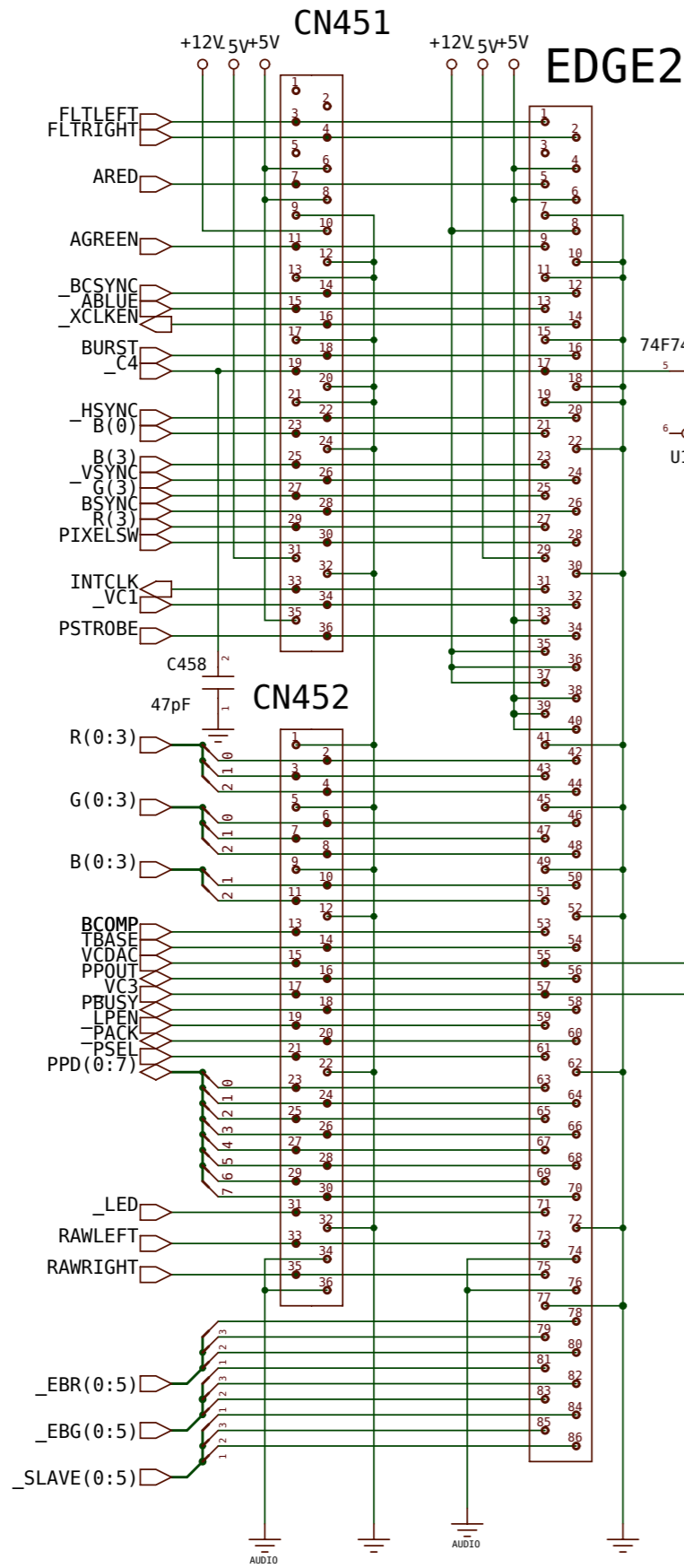
C.A.D. Generated
 No manual changes may be made to this document

I'm back in the high life again

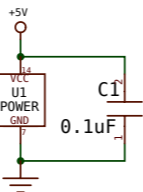
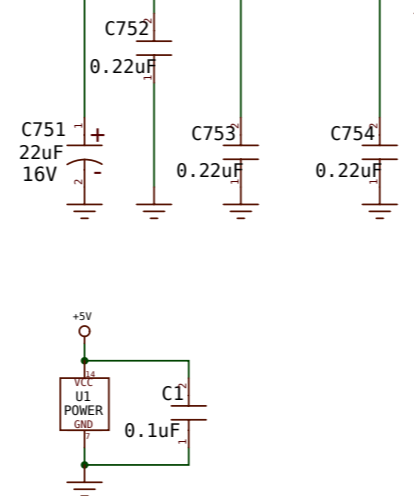
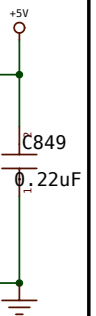
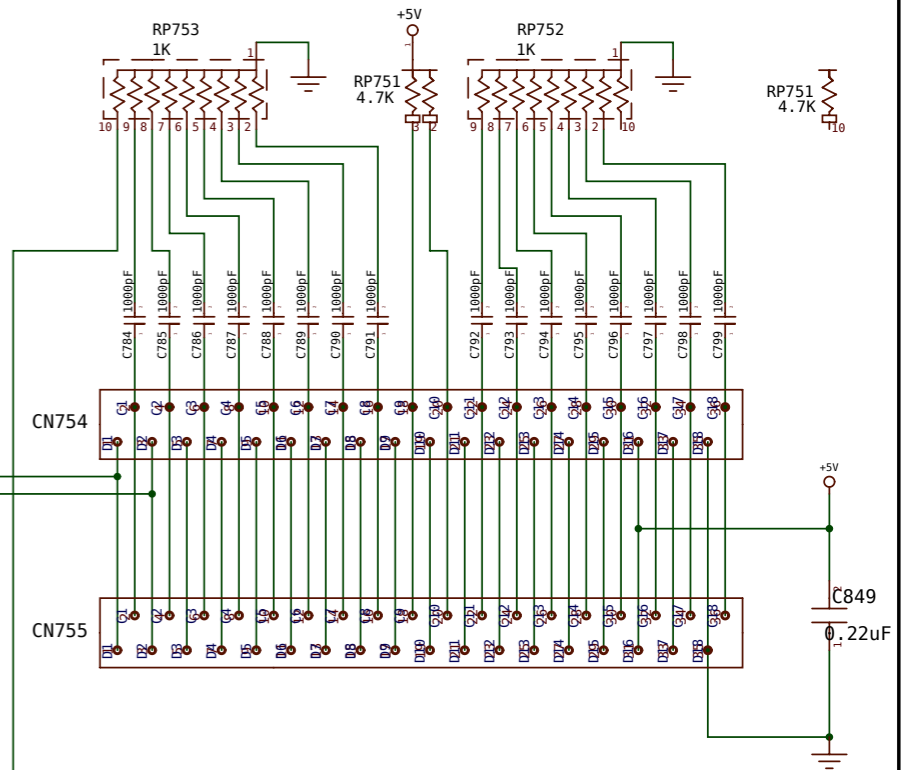
| | | |
|----------------------------|------------------|--------------|
| DRAWN BY: DAVIS, HAYNIE | DATE: 1/27/91 | Commodore |
| CHKD: ENGR: HCO, DBM | DATE: 1/17/91 | |
| APPR: | | A3000 |
| USED ON A3000 | | NEXT ASSY |
| A3000 | | DAUGHTER |
| SIZE B | 313251 | REV D |
| SCALE NONE | | SHEET 1 OF 2 |

PATH: -A3000/A3000DAUGHTER SHEET1

IBM 8 BIT SLOTS



IBM 16 BIT EXTENSION SLOTS



© 1990 COMMODORE BUSINESS MACHINES
Information contained herein is the unpublished, confidential and trade secret property of Commodore Business Machines, Inc. Any use, reproduction or disclosure of this information without the prior written permission of Commodore is strictly prohibited.

C.A.D. Generated
No manual changes may be made to this document

ONE SCREAMING MACHINE... THAT'S AMIGA!

| | | | | |
|----------------------------|----------------|-------------------------|-----------|----------|
| DRAWN BY: DAVIS, HAYNIE | DATE 6/2/89 | | Commodore | |
| CHKD: ENGR: HCD DBH | 4/28/89 | | A3000 | |
| APPR: | | | DAUGHTER | |
| USED ON A1500 | NEXT ASSY | SIZE B | 313251 | REV D |
| | | SCALE NONE SHEET 2 OF 2 | | |

PATH: -A3000/A3000DAUGHTER.SHEET2

Rev. 1.3B (03-01-2014)