

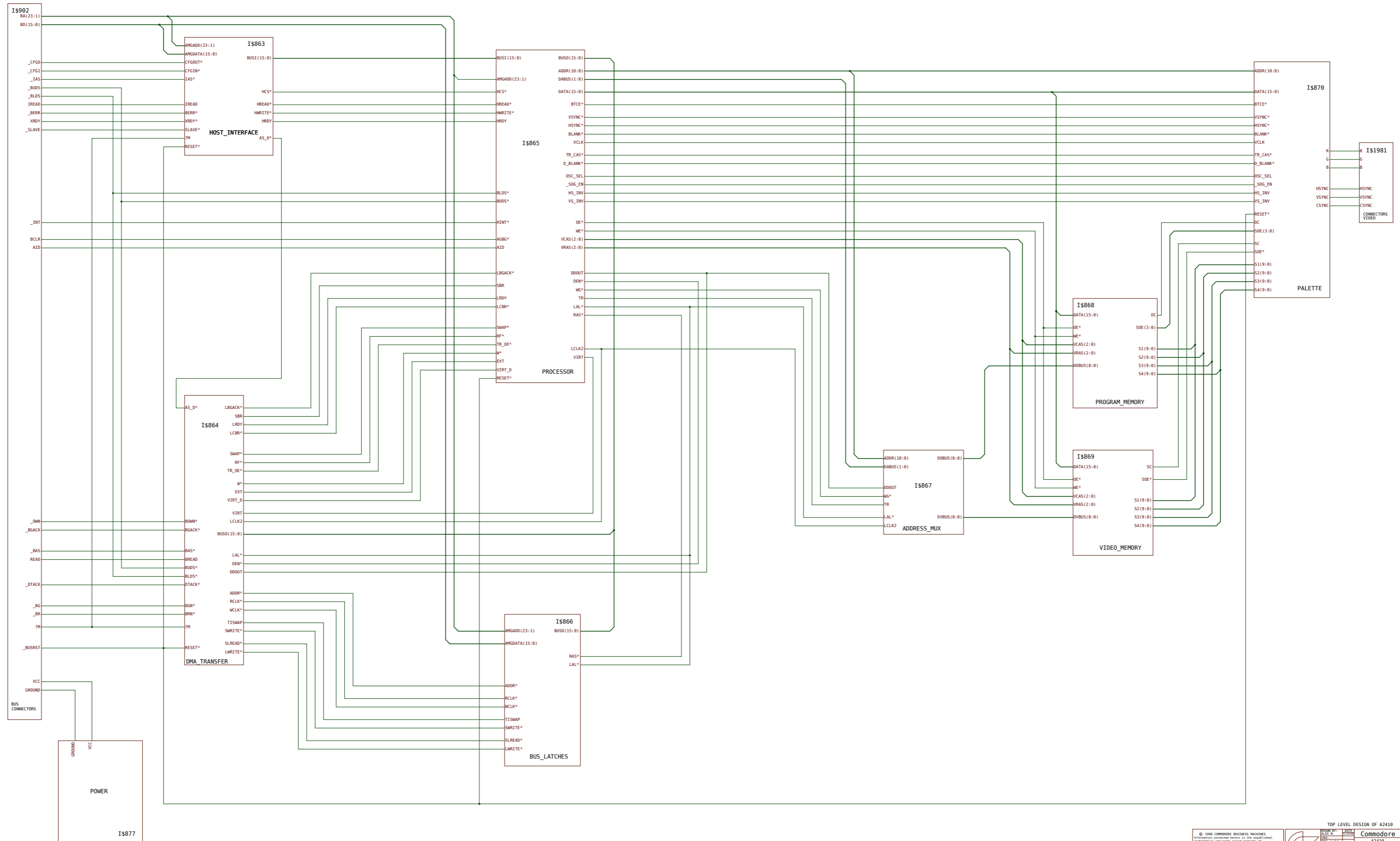
# Amiga

## A2410\_R6

Rev.1.38 (05.09.2012)



[www.amigawiki.org](http://www.amigawiki.org)



AMGADD(23:1)

AMGDATA(15:0)

CFGOUT\*

IAS\*

IREAD

BERR\*

RESET\*

HREAD\*

XRDY\*

HWRITE\*

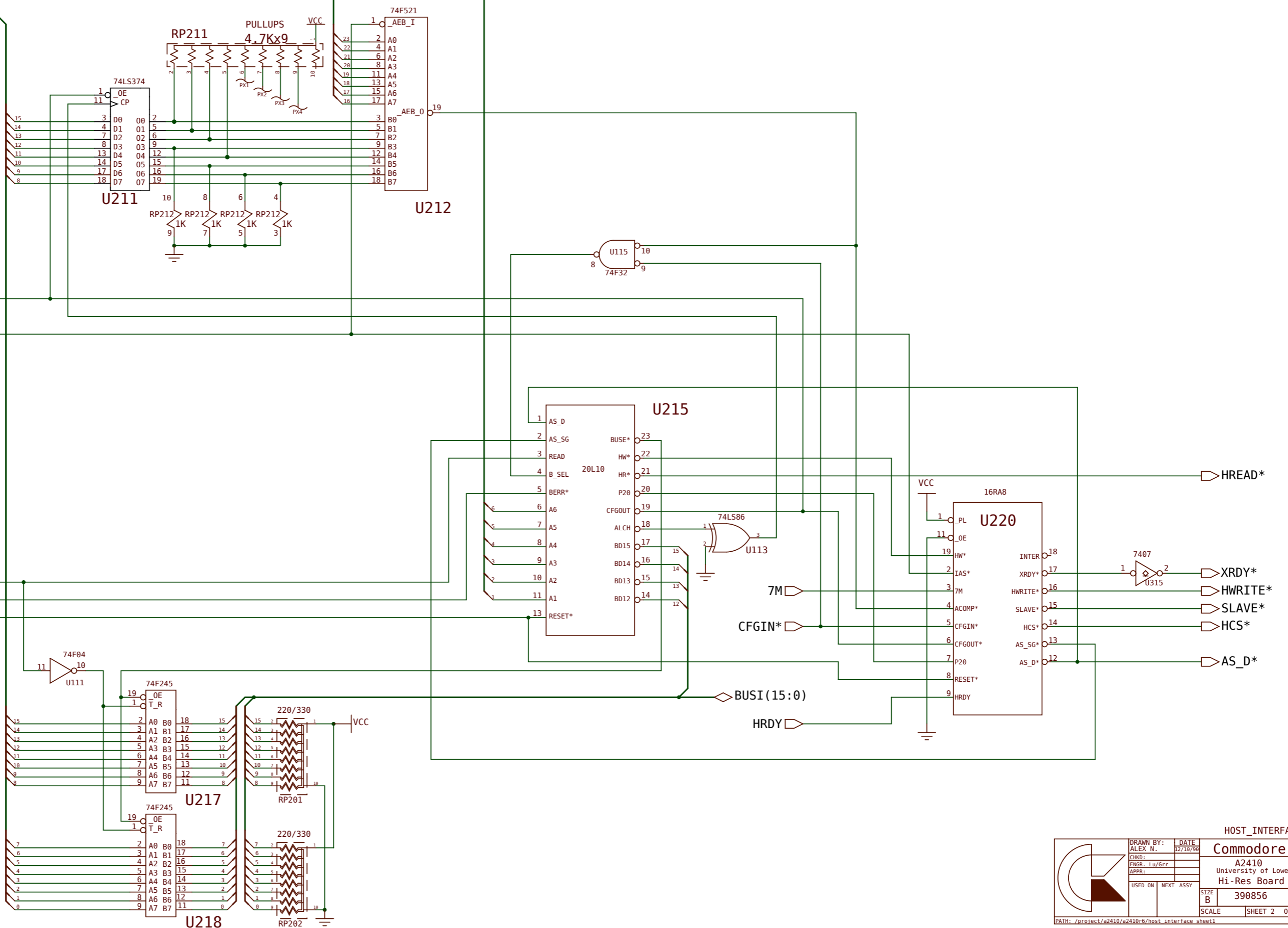
SLAVE\*

HCS\*

AS\_D\*

BUSI (15:0)

HRDY



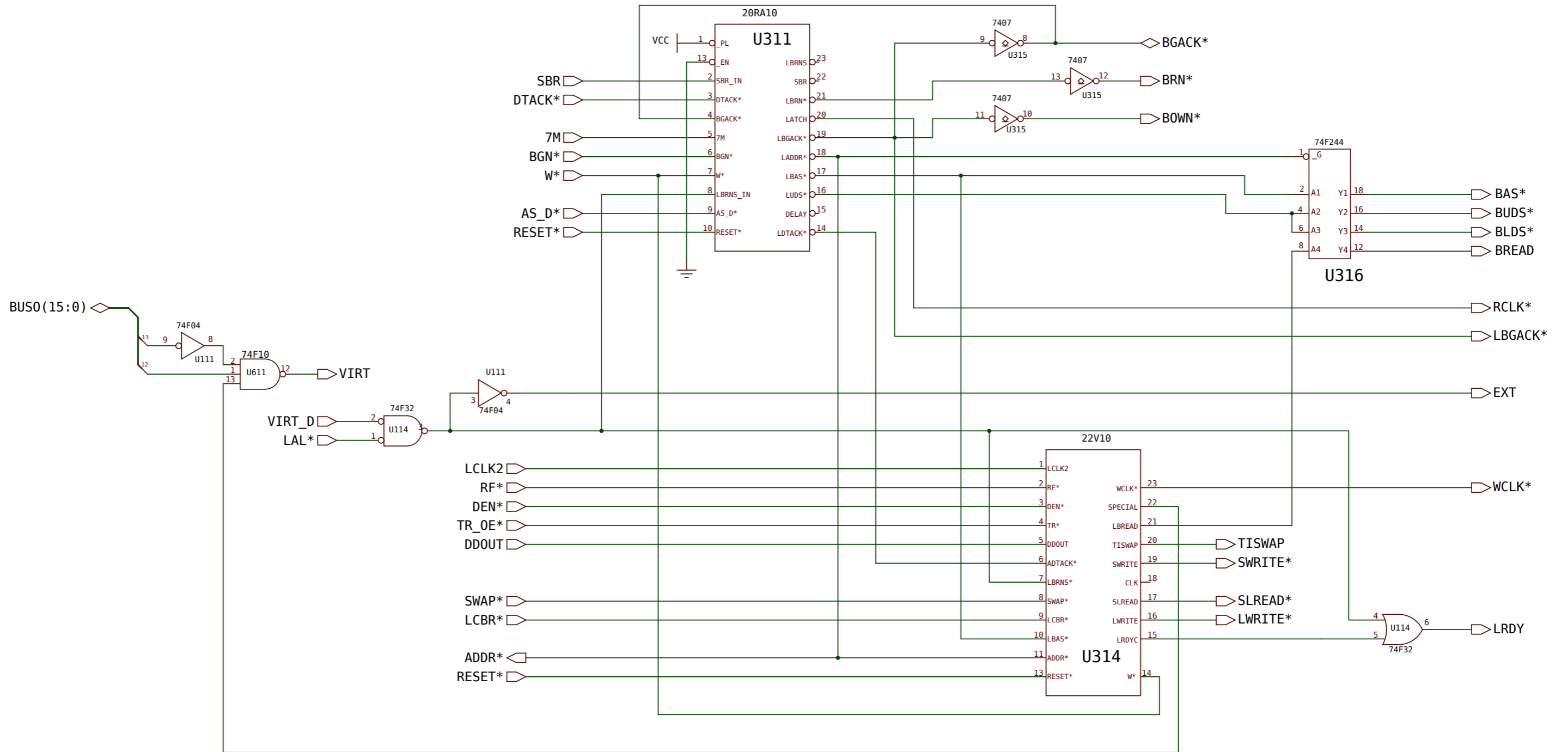
Rev. 1.38 (05.09.2012)

© rebuild for www.amigawiki.org · for private use only

HOST\_INTERFACE

	DRAWN BY:	DATE	<b>Commodore</b> A2410 University of Lowell Hi-Res Board
	ALEX N.:	12/18/98	
	CHKD:		
	ENGR: Lu/Grr		
APPR:			
USED ON	NEXT ASSY	SIZE	REV
		B	6
		SCALE	SHEET 2 OF 12

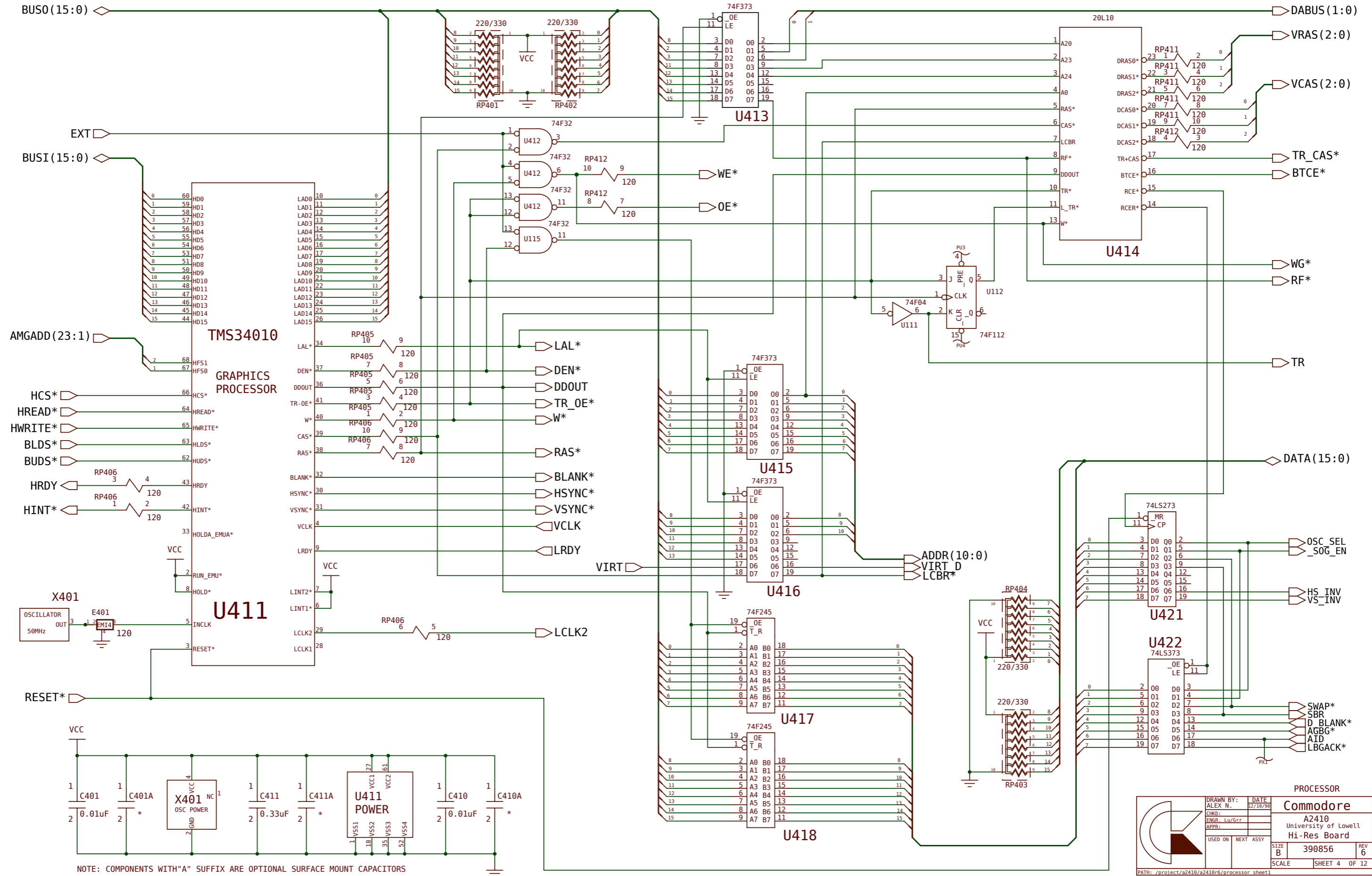
PATH: /project/a2410/a2410r6/host interface sheet1




Rev. 1.38 (05.09.2012)

DRAWN BY:		DATE	Commodore	
ALEX N.		12/18/98	A2410	
CHKD:			University of Lowell	
ENGR: Lu/Grr			Hi-Res Board	
APPR:			SIZE	REV
USED ON	NEXT ASSY		B	390856
			SCALE	6
				SHEET 3 OF 12

PATH: /project/a2410/a2410r6/dma\_transfer\_sheet1

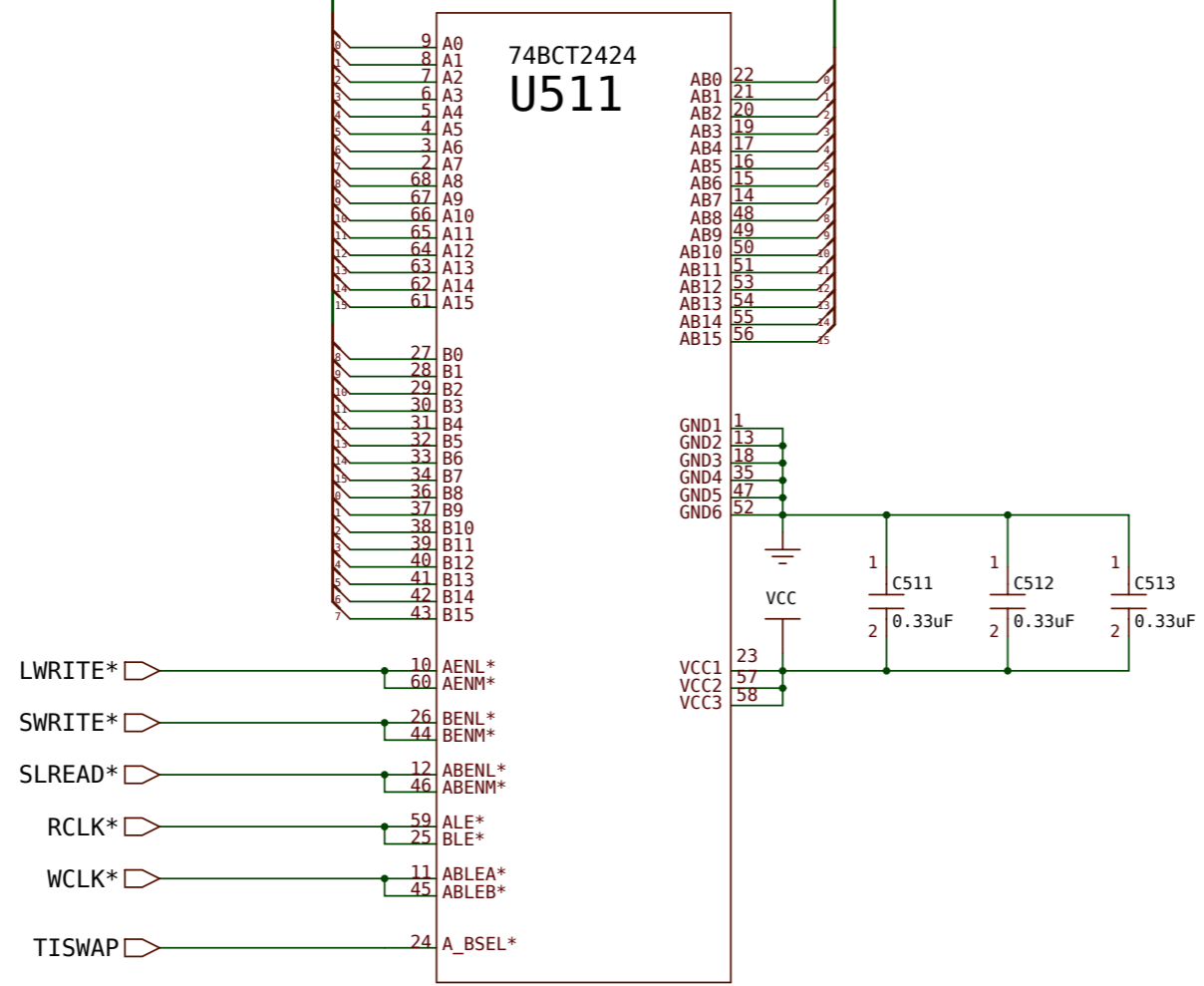


NOTE: COMPONENTS WITH "A" SUFFIX ARE OPTIONAL SURFACE MOUNT CAPACITORS

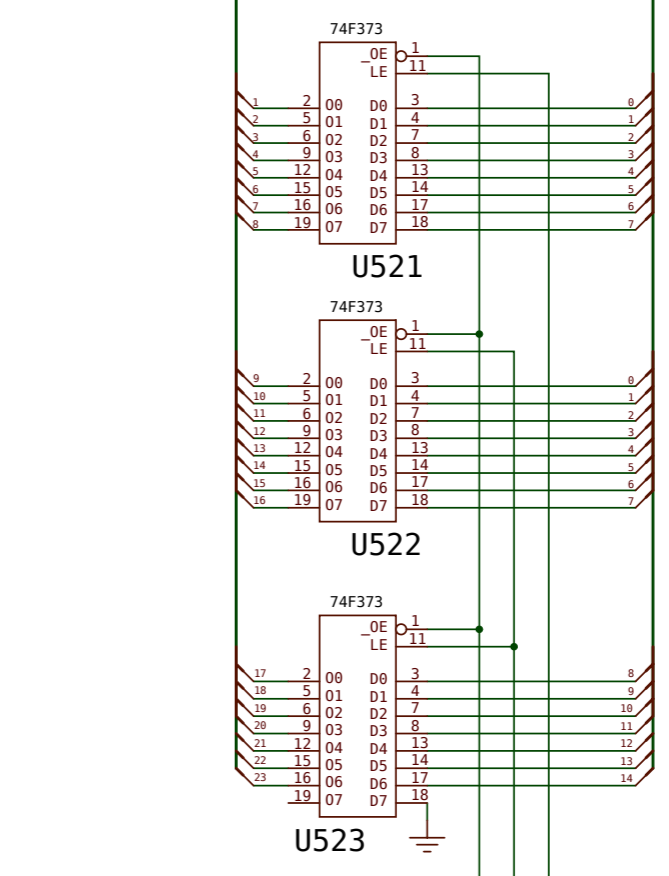
		DRAWN BY: ALEX N. ENGR: Lu/Grr APPR:	DATE: 12/18/98
		USED ON: NEXT ASSY	
PROCESSOR <b>Commodore</b> A2410 University of Lowell Hi-Res Board		SIZE: B SCALE:	390856 REV: 6 SHEET 4 OF 12

PATH: /project/a2410/a2410r6/processor sheet1

Rev. 1.38 (05\_09\_2012)



**BYTE SWAP/NORMAL DATA MUX**



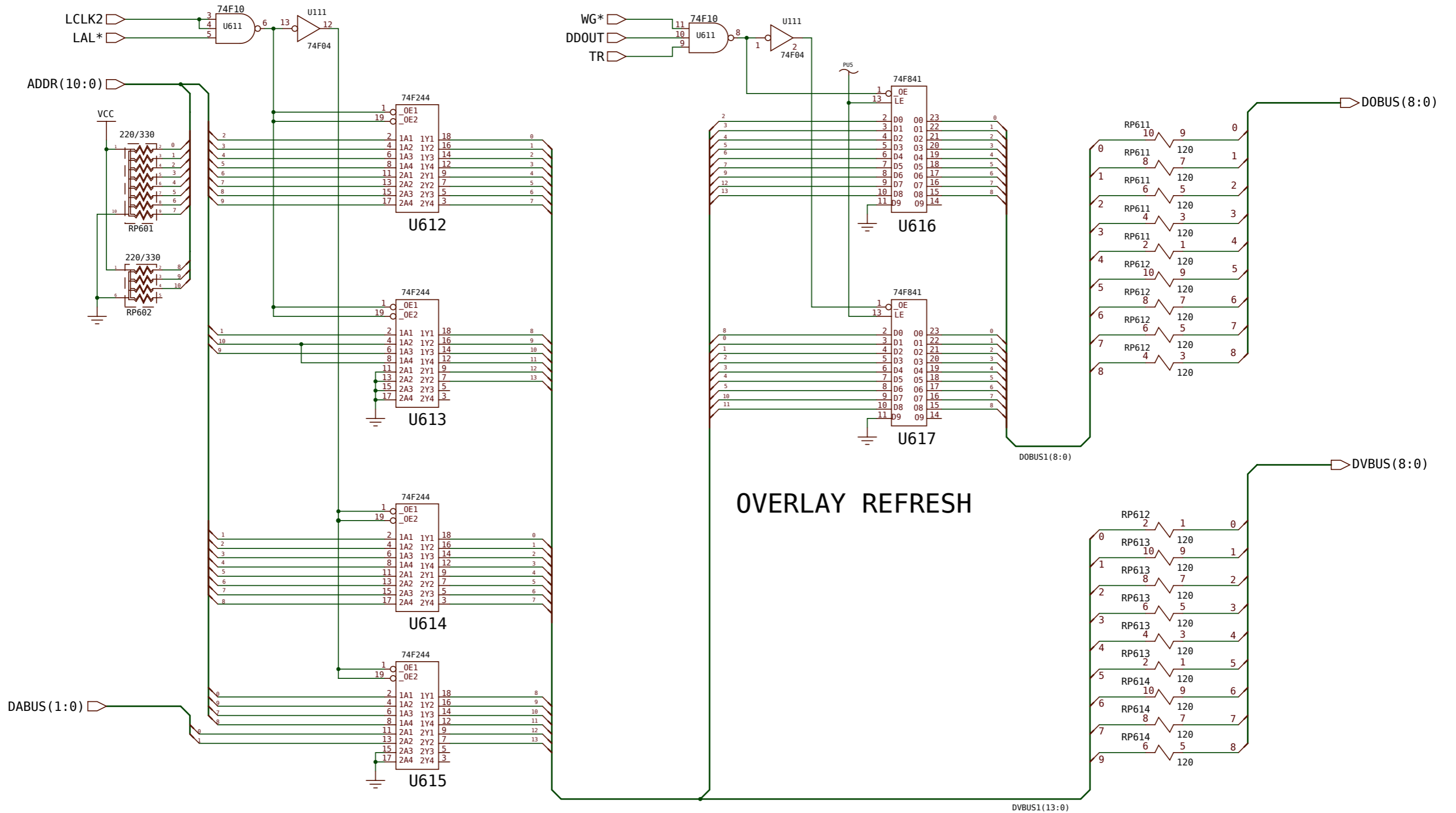
**DMA ADDRESS**

Rev. 1.38 (05\_09\_2012)

BUS\_LATCHES

	DRAWN BY:	DATE	<b>Commodore</b> A2410 University of Lowell Hi-Res Board
	ALEX N.	12/5/90	
	ENGR: Lu/Grr		
	APPR:		
USED ON	NEXT ASSY	SIZE B	390856
		SCALE	REV 6
		SHEET 5 OF 12	

PATH: /project/a2410/a2410r6/bus\_latches\_sheet1



NORMAL ADDRESS

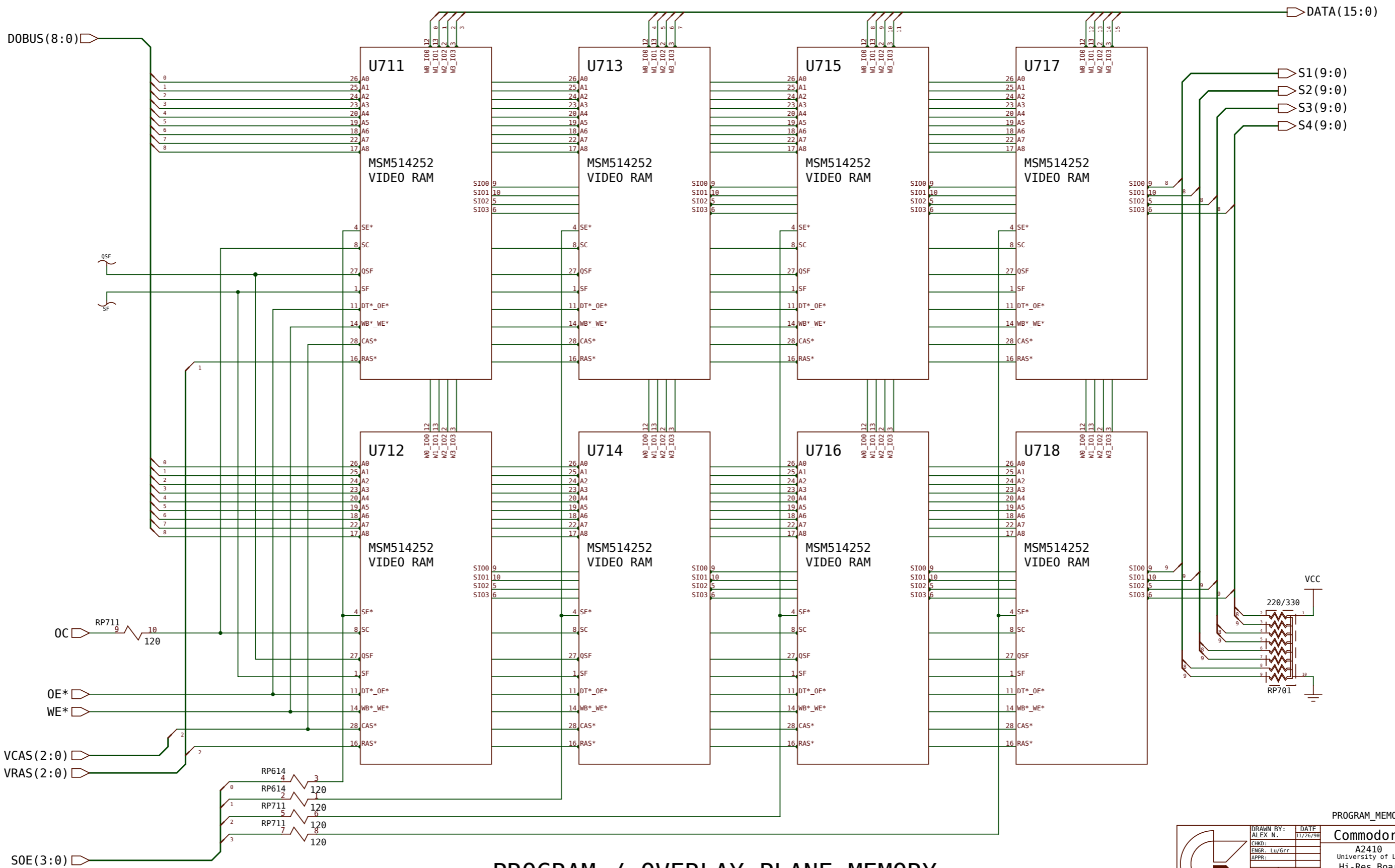
OVERLAY REFRESH

ADDRESS\_MUX

	DRAWN BY:	DATE	Commodore	
	ALEX N.	11/26/98	A2410	
	ENGR: Lu/Grr		University of Lowell	
	APPR:		Hi-Res Board	
USED ON	NEXT ASSY	SIZE	390856	REV
		B		6
		SCALE	SHEET 6 OF 12	

PATH: /project/a2410/a2410r6/address\_mux\_sheet1

Rev. 1.38 (05\_09\_2012)



# PROGRAM / OVERLAY PLANE MEMORY

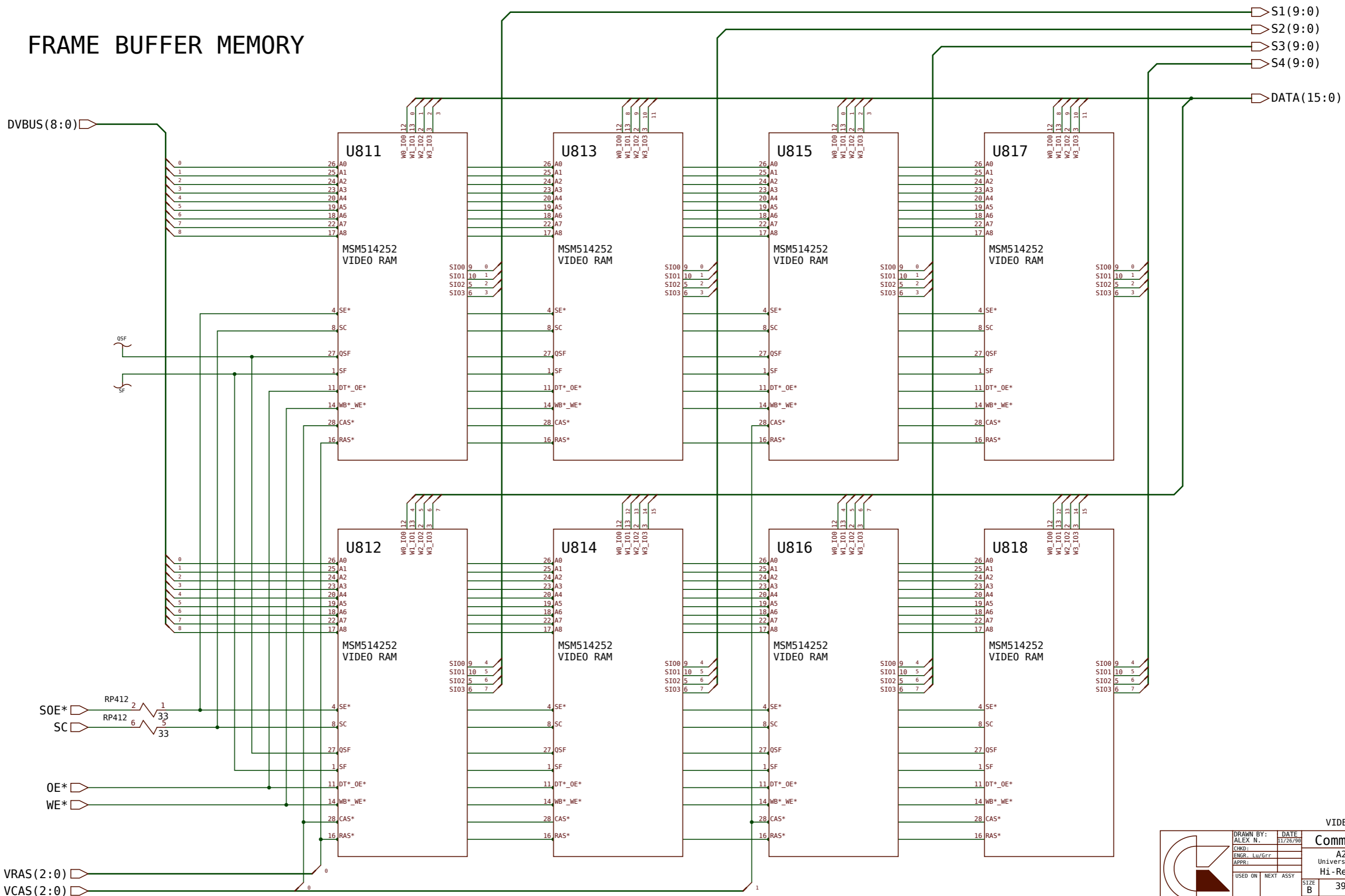
DRAWN BY:		DATE	PROGRAM_MEMORY	
ALEX N.		11/26/98	Commodore	
CHKD:			A2410	
ENGR: Lu/Grr			University of Lowell	
APPR:			Hi-Res Board	
USED ON	NEXT ASSY		SIZE	REV
			B	6
			SCALE	SHEET 7 OF 12

PATH: /project/a2410/a2410r6/program\_memory\_sheet1

Rev. 1.38 (05.09.2012)



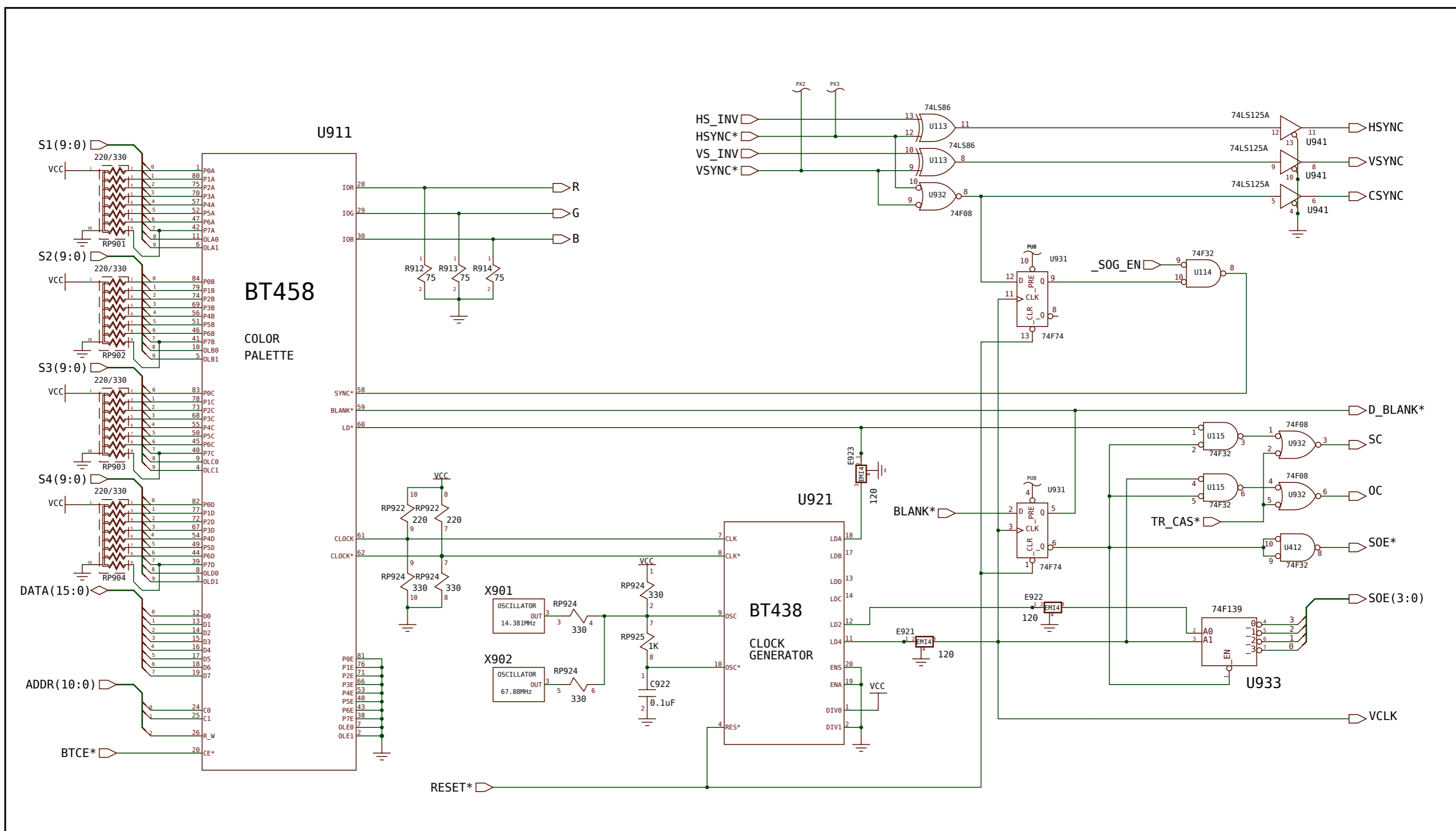
# FRAME BUFFER MEMORY



VIDEO_MEMORY	
DRAWN BY: ALEX N.	DATE: 11/26/98
CHKD:	
ENGR: Lu/Grr	
APPR:	
USED ON	NEXT ASSY
SIZE B	390856
SCALE	SHEET 8 OF 12

Commodore  
A2410  
University of Lowell  
Hi-Res Board

Rev. 1.38 (05.09.2012)

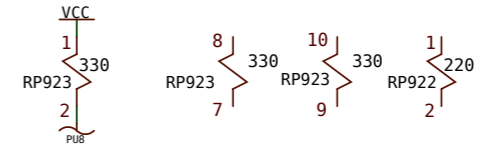
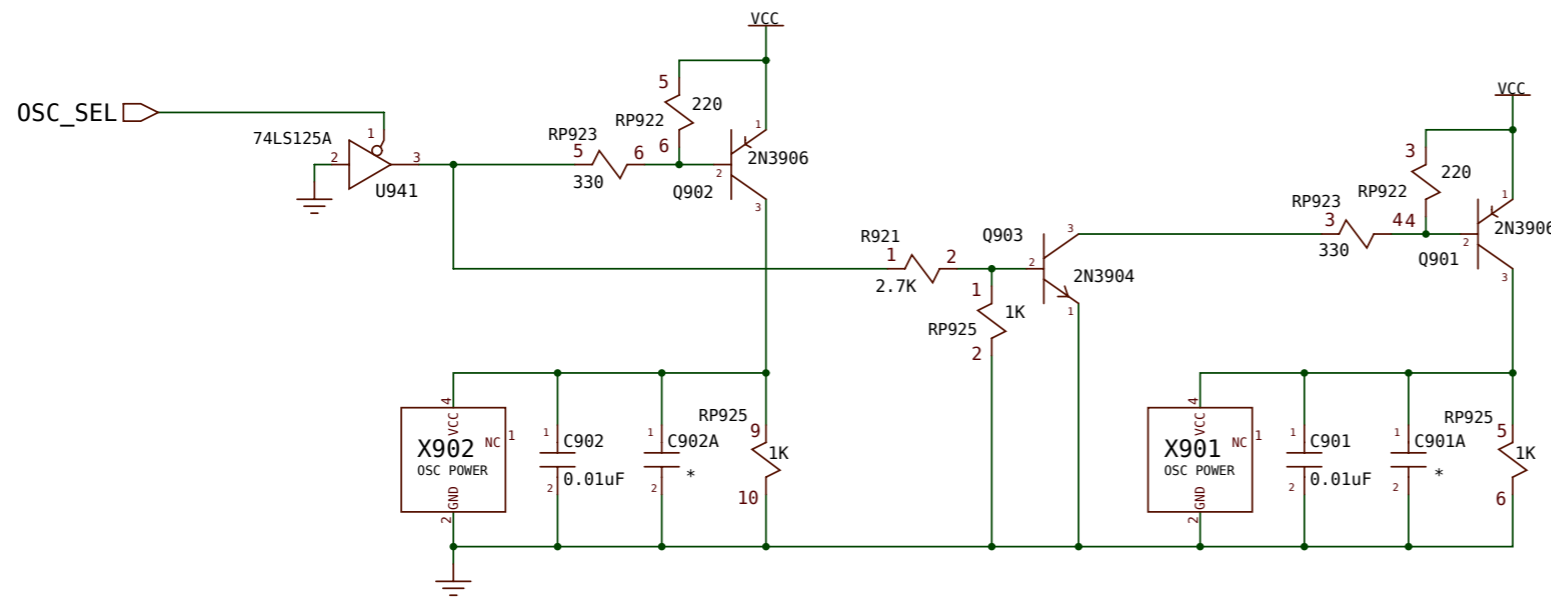


Rev. 1.38 (05.09.2012)

PALETTE (SHEET1)

	DRAWN BY: ALEX N.	DATE: 12/18/98	<b>Commodore</b> A2410 University of Lowell Hi-Res Board
	CHKD: ENGR: Lu/grr	APPR:	
	USED ON:	NEXT ASSY:	
	SIZE: B	390856	
SCALE:		SHEET 9 OF 12	

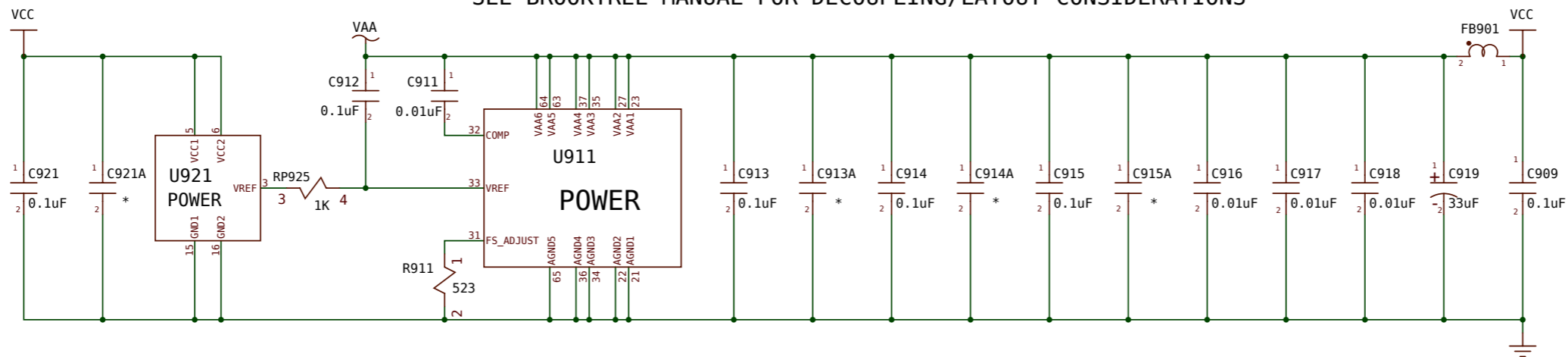
PATH: /project/a2410/a2410r6/palette sheet1



SPARES & PULLUPS

OSCILLATOR POWER SWITCHING CIRCUIT

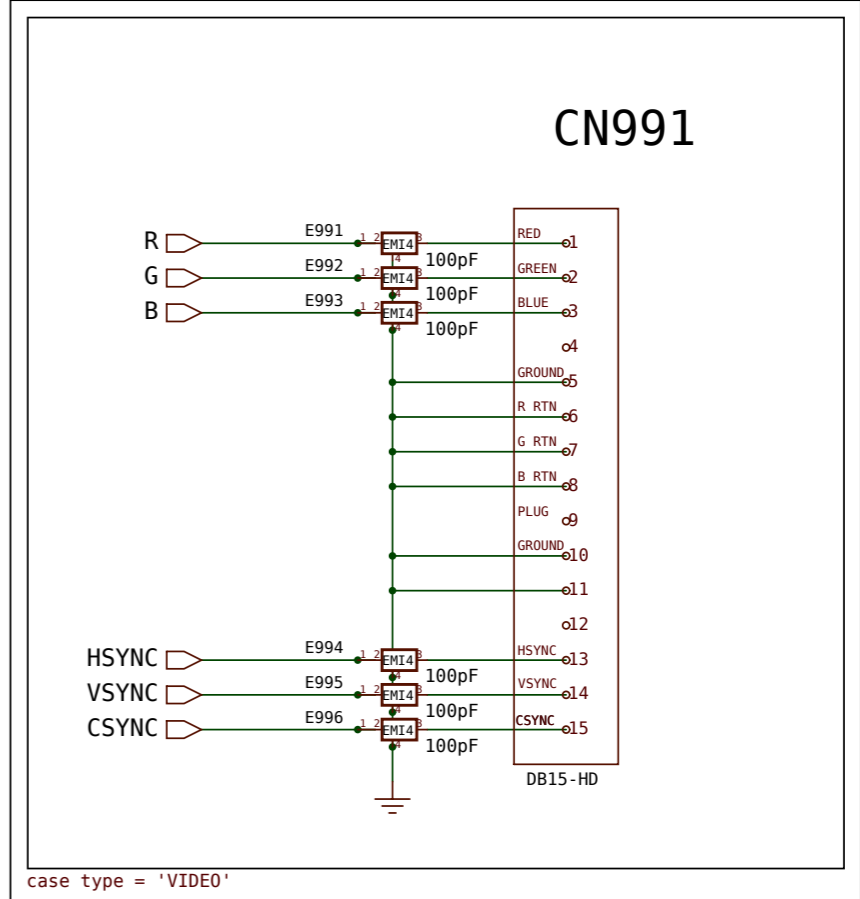
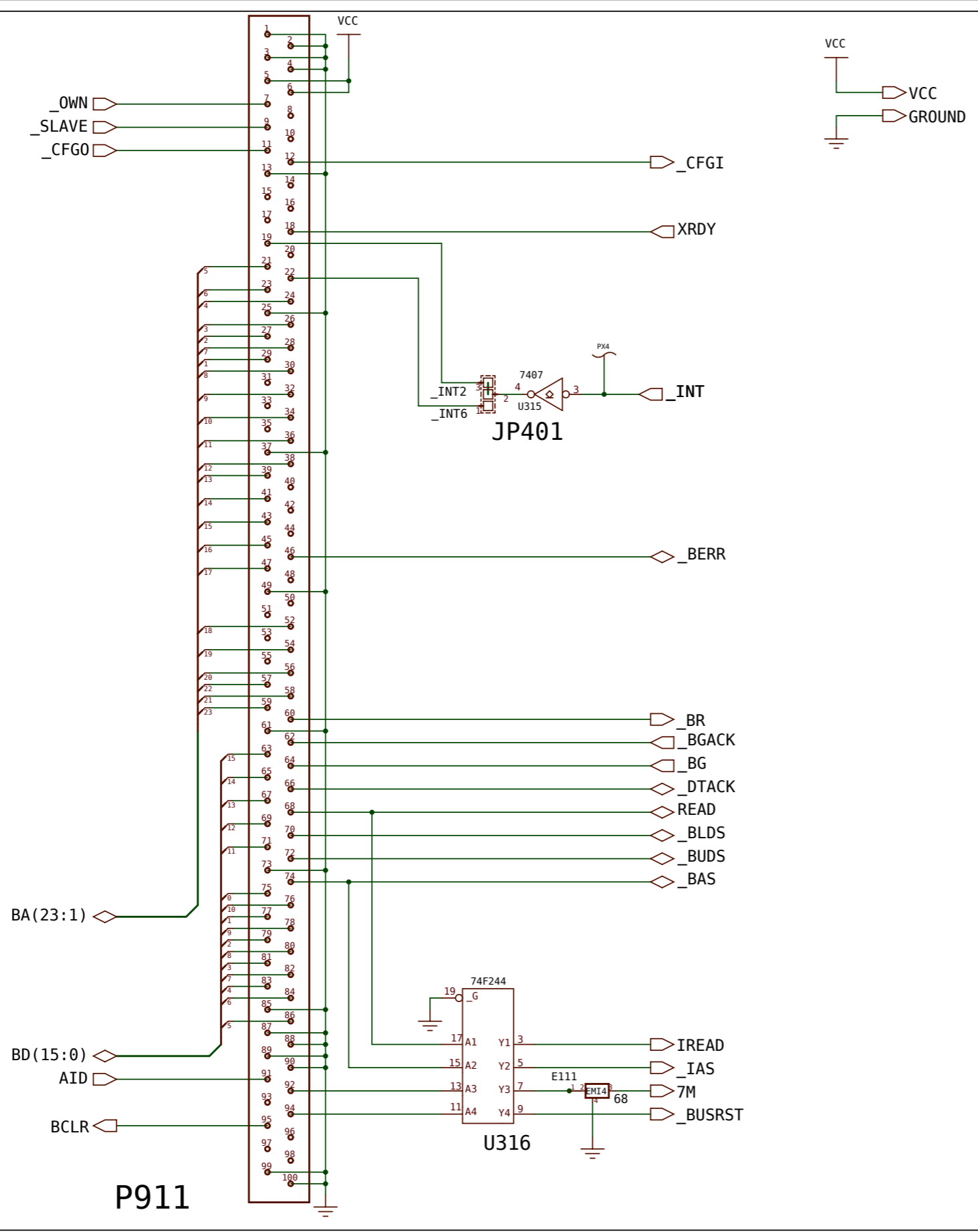
SEE BROOKTREE MANUAL FOR DECOUPLING/LAYOUT CONSIDERATIONS



BROOKTREE DECOUPLING DETAILS

NOTE: CAPACITORS WITH "A" SUFFIX ARE OPTIONAL SURFACE MOUNT COMPONENTS

DRAWN BY:		DATE	PALETTE (SHEET2)	
ALEX N.		11/26/90	Commodore	
CHKD:			A2410	
ENGR: Lu/Grr			University of Lowell	
APPR:			Hi-Res Board	
USED ON	NEXT ASSY		SIZE	REV
			B	390856
			SCALE	SHEET 10 OF 12



case type = 'VIDEO'

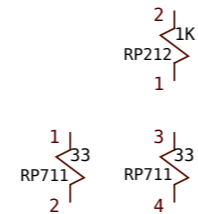
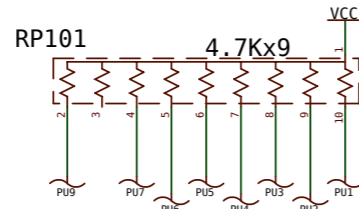
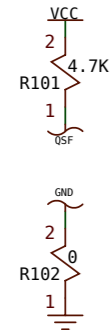
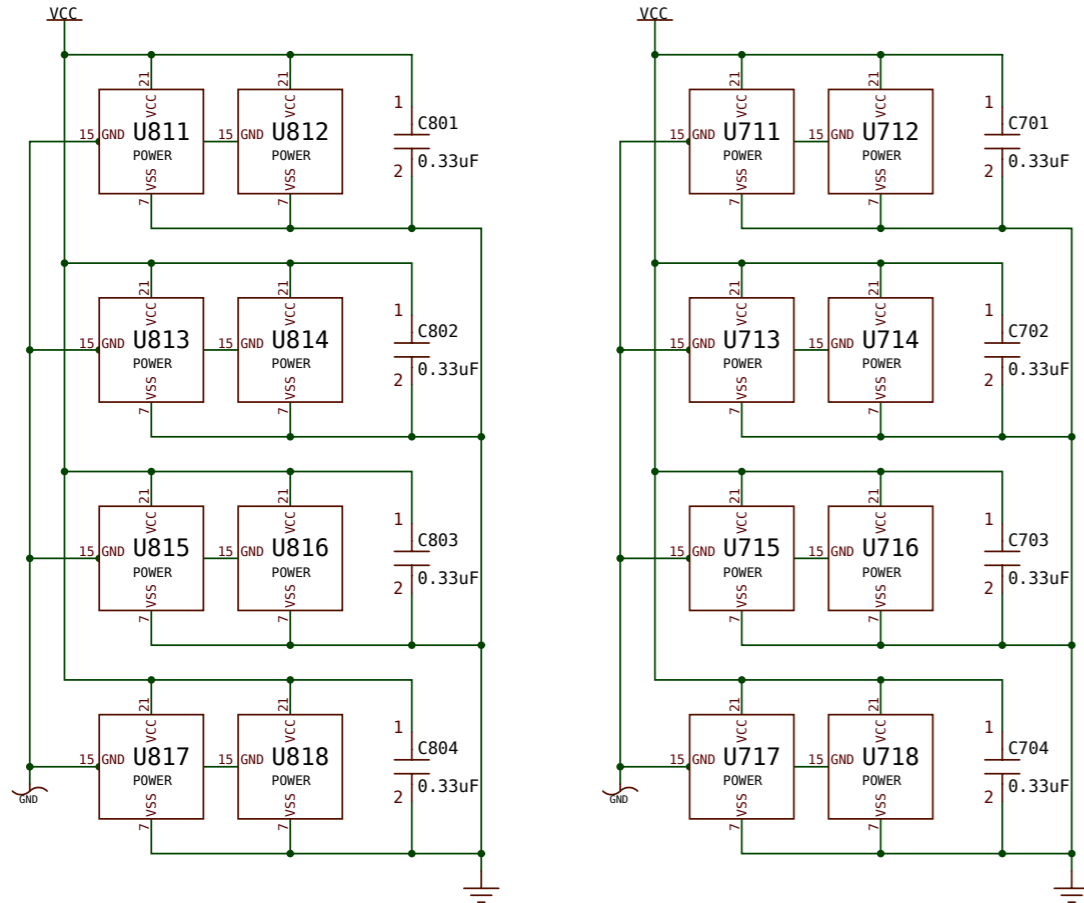
Rev. 1.38 (05/09/2012)

CONNECTORS

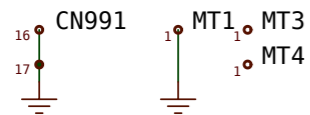
	DRAWN BY: ALEX N.	DATE: 11/26/98	<b>Commodore</b> A2410 University of Lowell Hi-Res Board
	CHKD: ENGR: Lu/Grr	APPR:	
	USED ON:	NEXT ASSY:	
	SIZE: B	390856	
SCALE:		SHEET 11 OF 12	

PATH: /project/a2410/a2410r6/connectors/sheet1

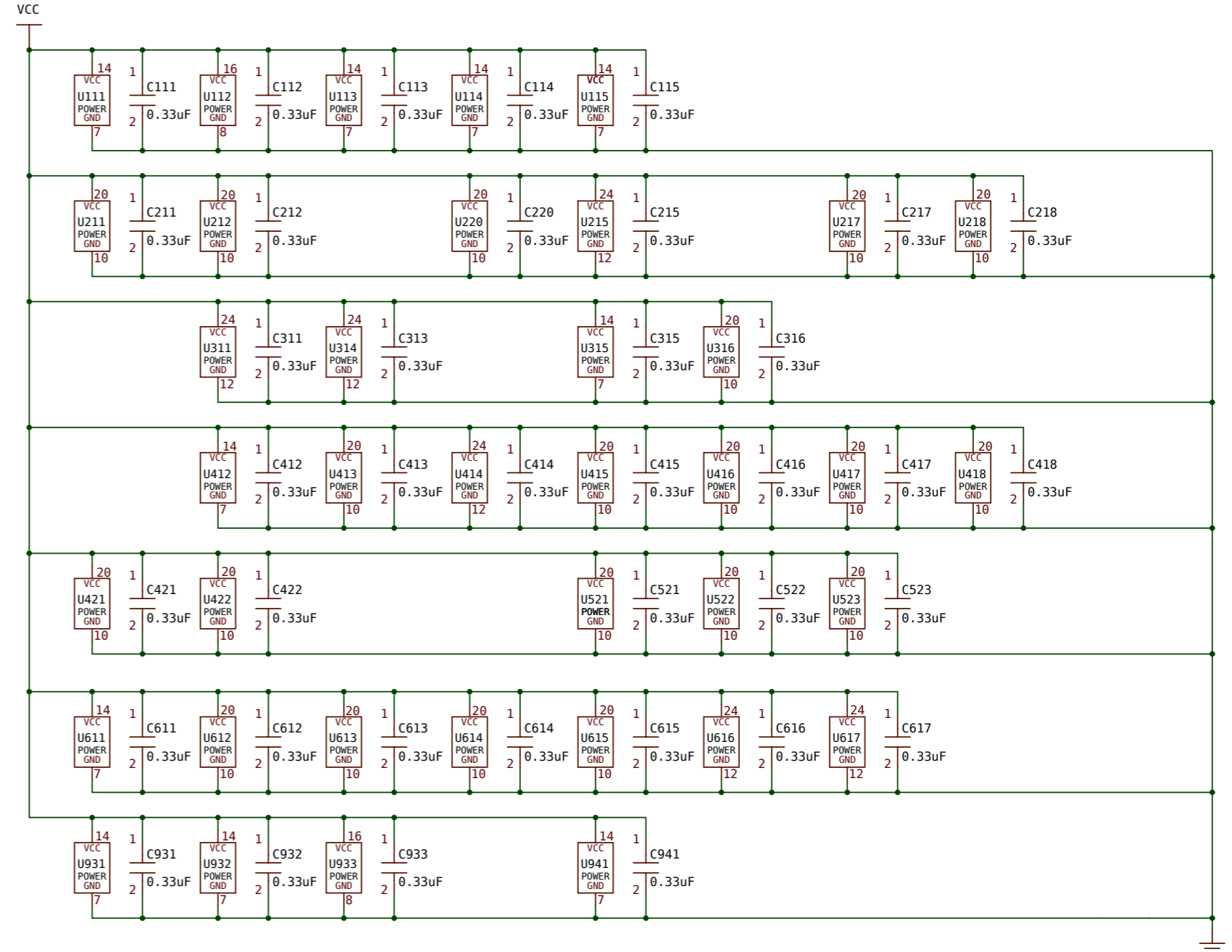
# VRAM DECOUPLING



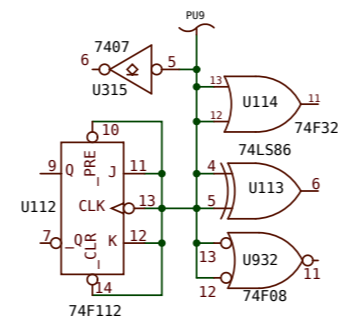
## PULLUPS



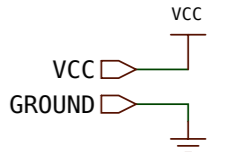
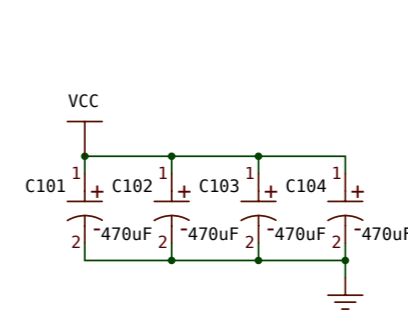
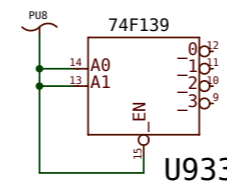
## PINS & HOLES



## GENERAL DECOUPLING



## SPARES



	DRAWN BY: ALEX N.	DATE: 12/18/98	<b>Commodore</b> A2410 University of Lowell Hi-Res Board
	CHKD: ENGR. Lu/Grr		
	APPR:		
	USED ON NEXT ASSY		
SIZE B	390856	REV 6	
SCALE	SHEET 12 OF 12		