

# Amiga

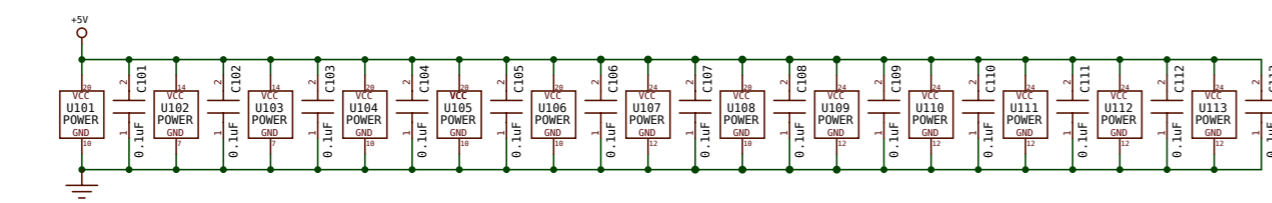
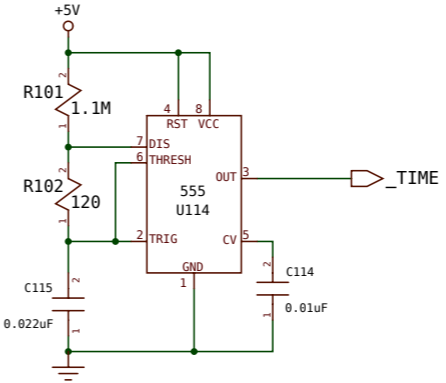
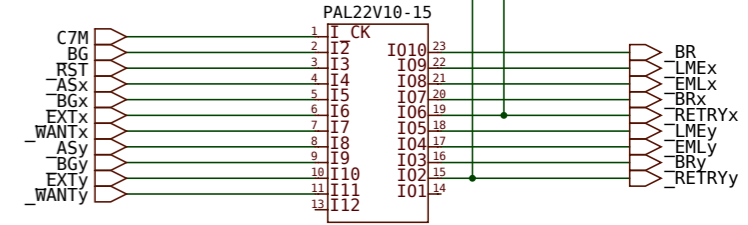
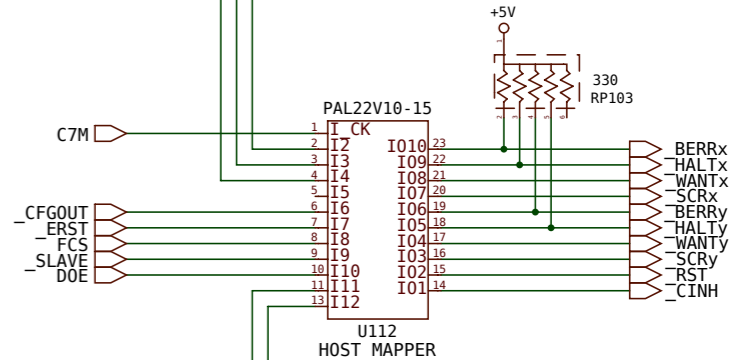
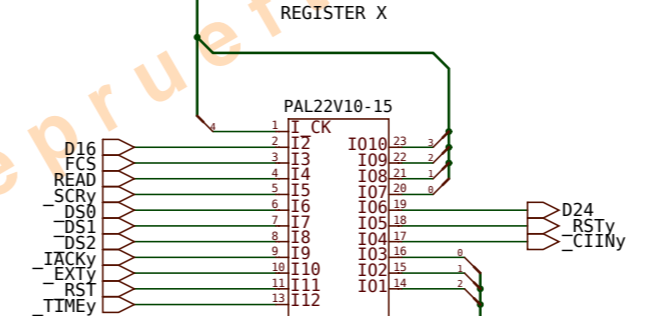
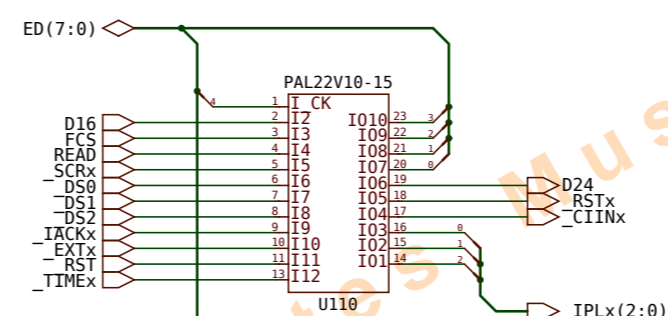
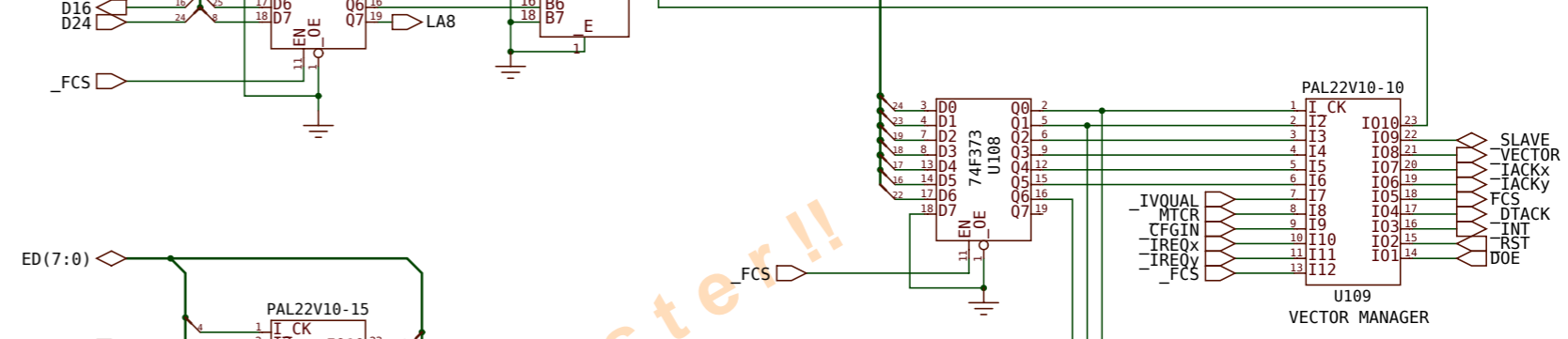
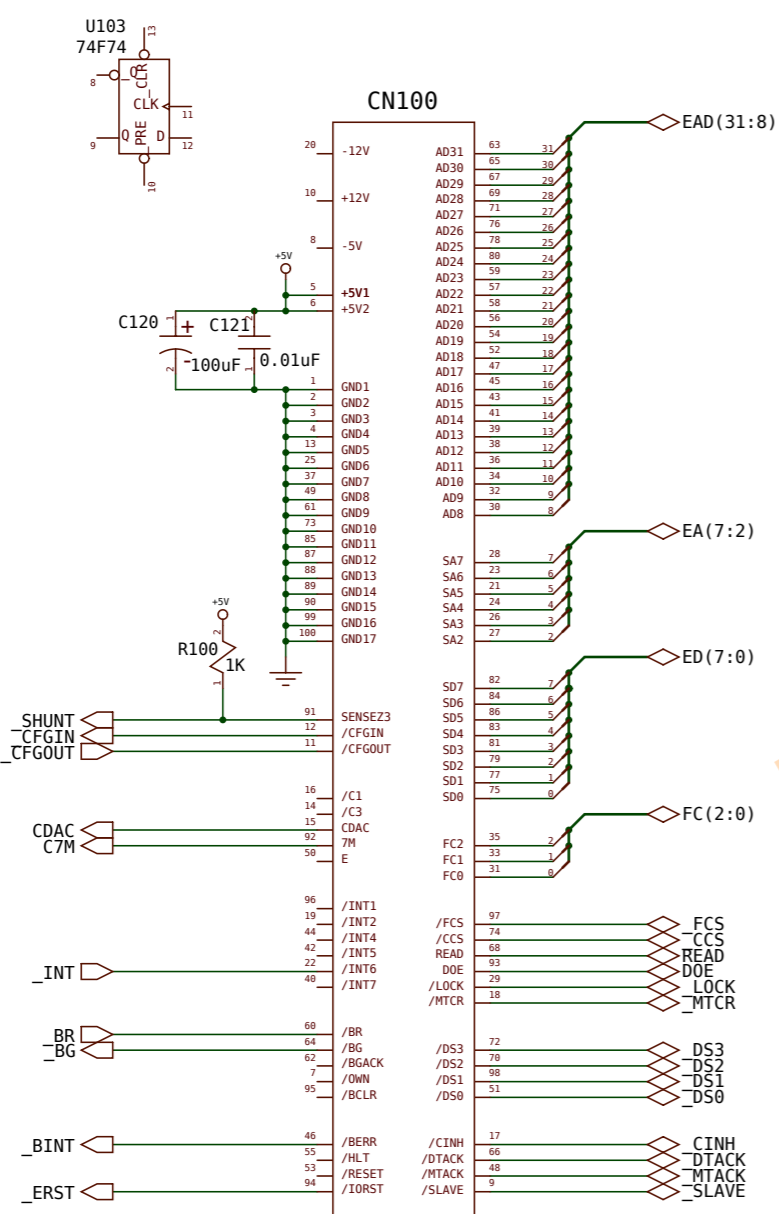
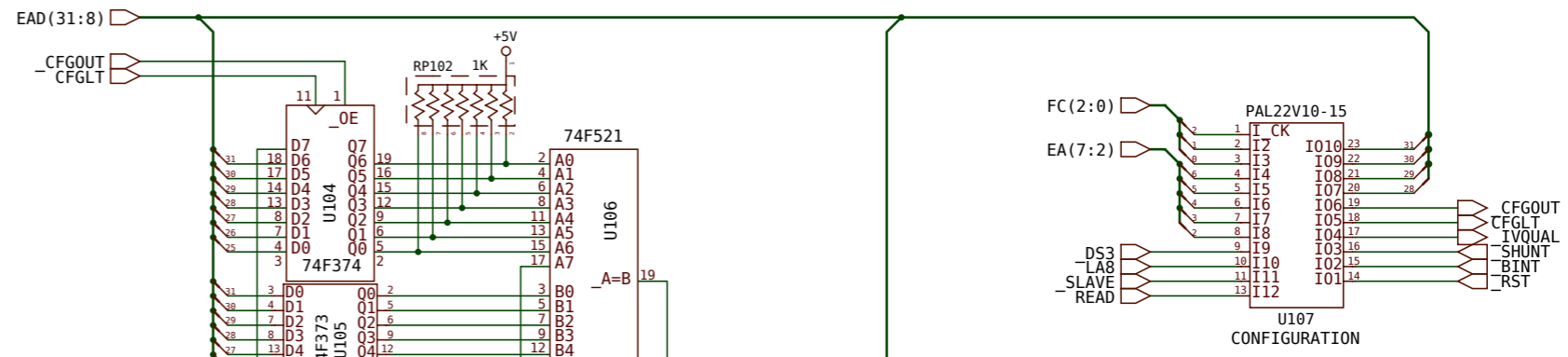
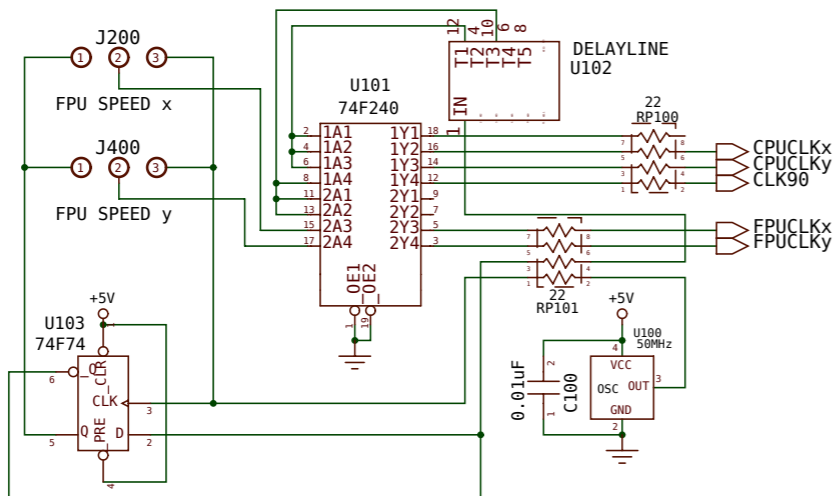
# Gemini

Rev.1.39 (13.03.2015)

**Prüfversion**



[www.amigawiki.org](http://www.amigawiki.org)



# CLOCK AND AUTOCONFIG

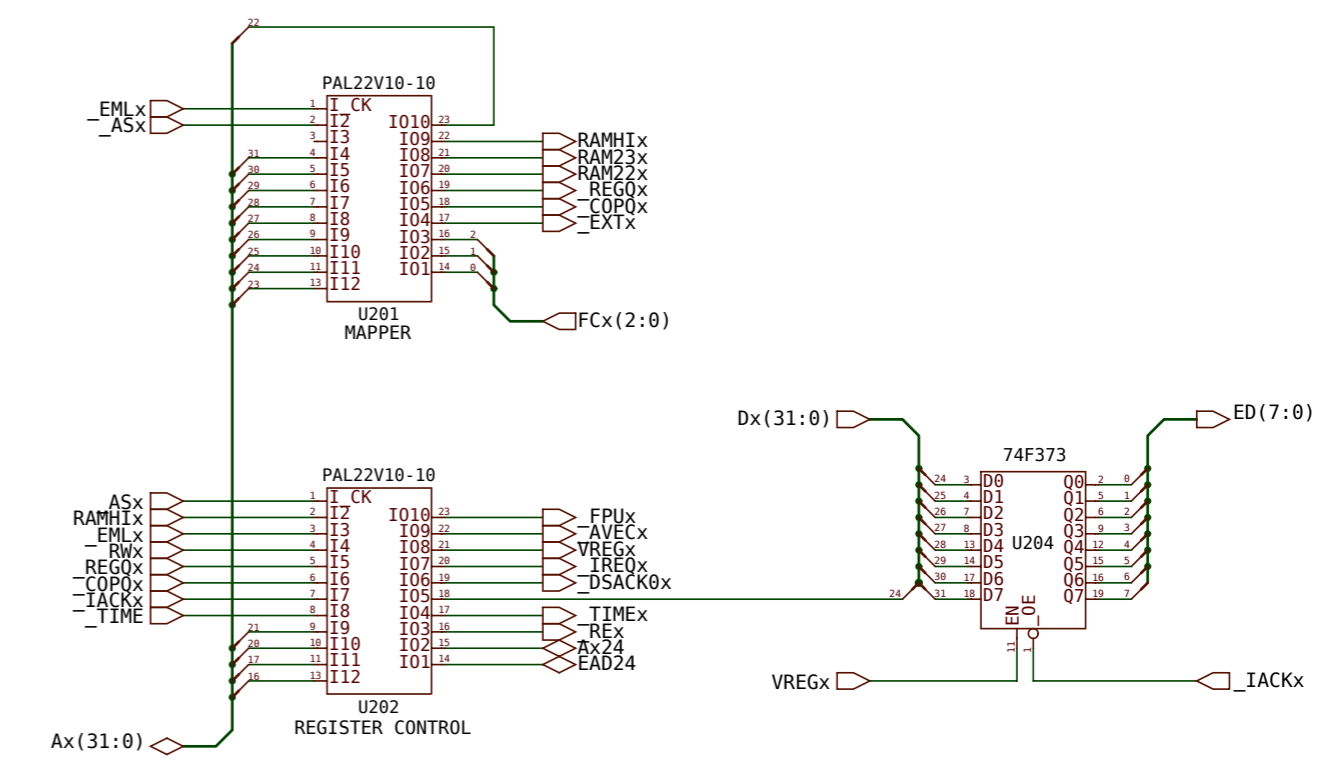
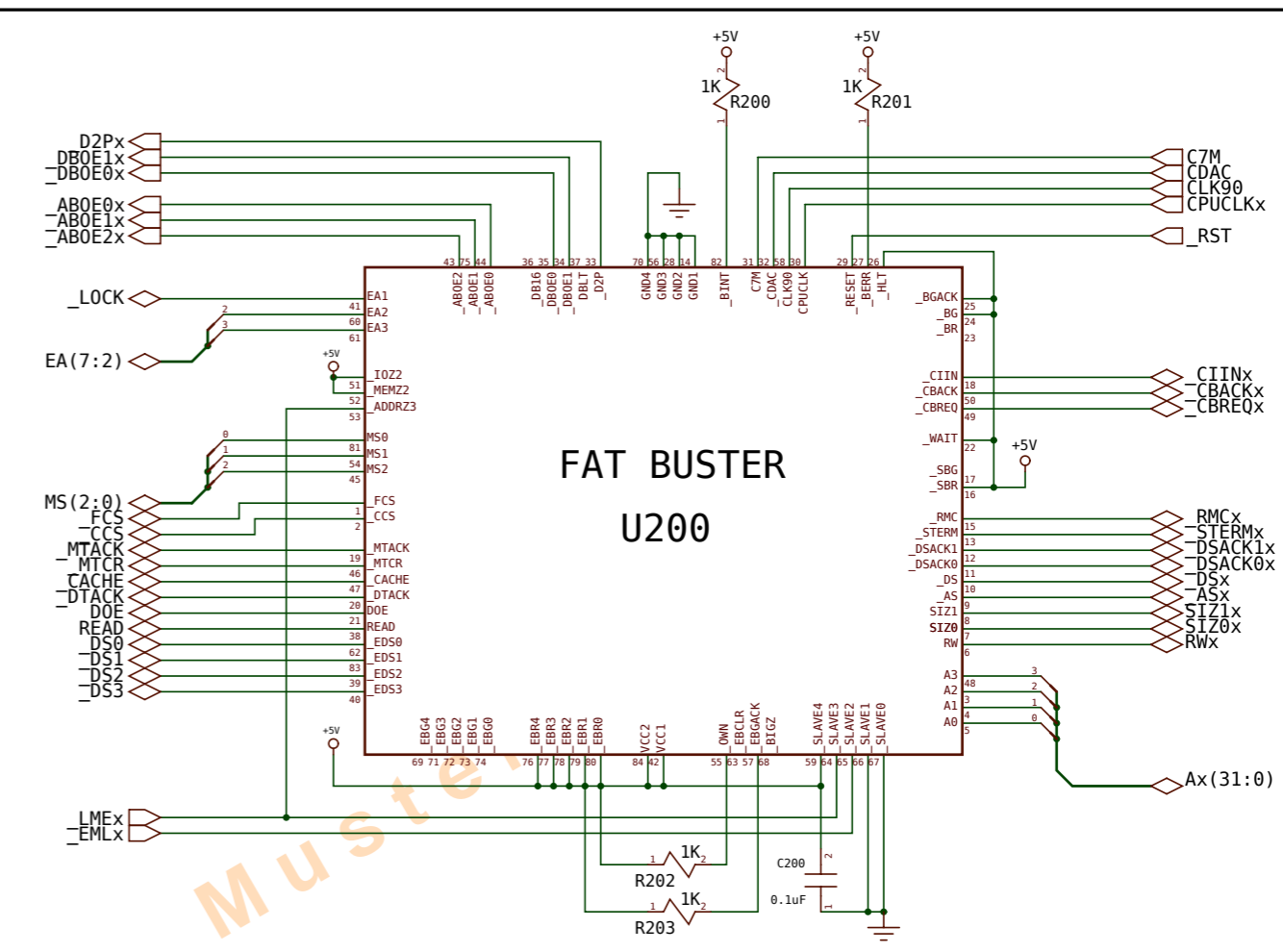
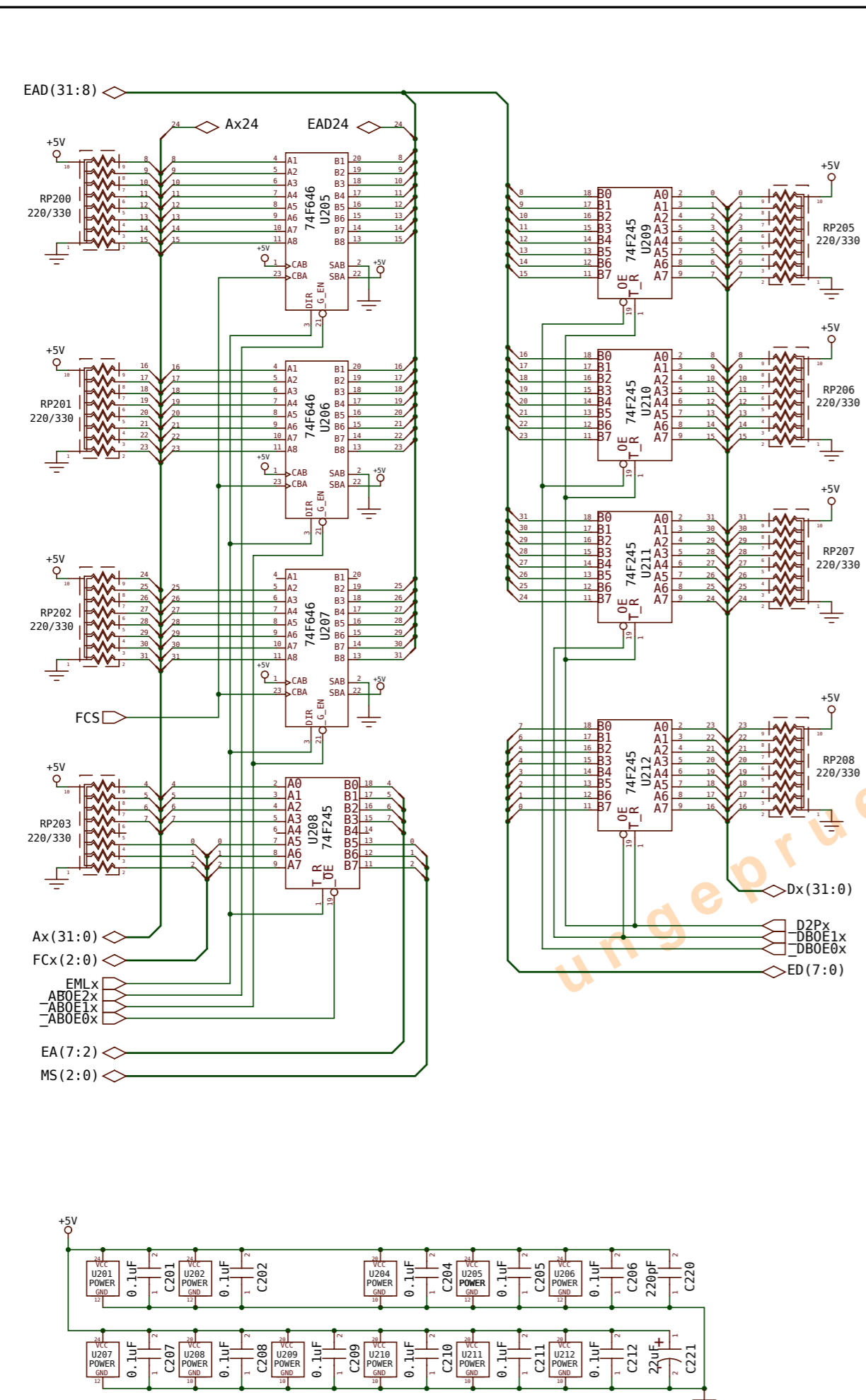
© rebuild for www.amigawiki.org · for private use only

You got to pay the dues if you wanna sing the blues

© 1991 COMMODORE-AMIGA, INC.		DRAWN BY: DAVE HAYNIE		DATE: 12/17/91	
Information contained herein is the unpublished, confidential and trade secret property of Commodore-Amiga, Inc. Any use, reproduction, or disclosure of this information without the prior written permission of Commodore is strictly prohibited.					
C.A.D. Generated		USED ON NEXT ASSY		SIZE C 31xxxx	
No manual changes may be made to this document		GEMINT 31xxxx		SCALE NONE SHEET 1 OF 5	

Commodore SCHEMATIC GEMINI

PATH: ~/haynie/boards/dramz3 sheet1



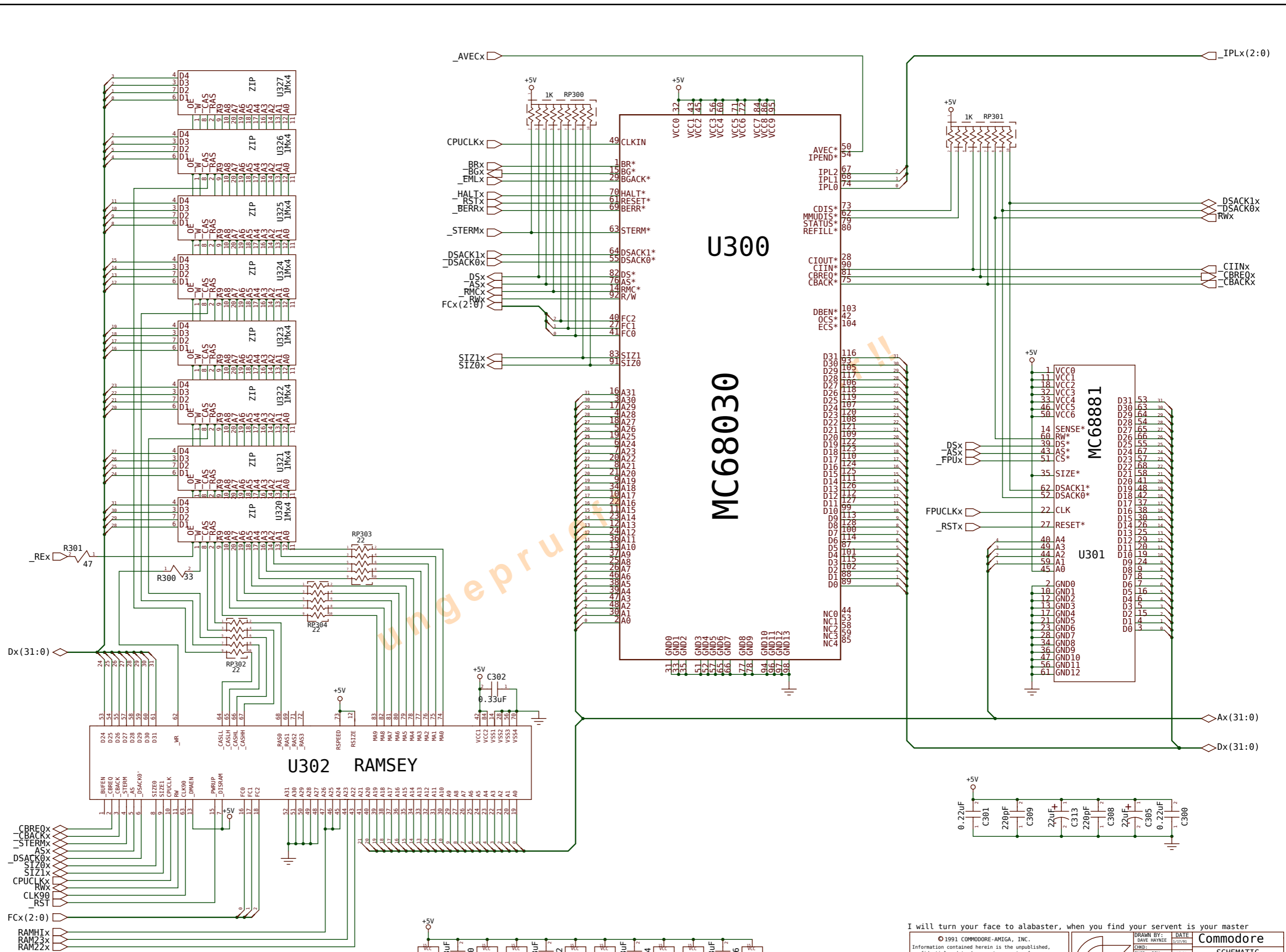
# BUS INTERFACE x

© rebuild for www.amigawiki.org · for private use only

Give me love, give me love, give me peace on earth

© 1991 COMMODORE-AMIGA, INC. Information contained herein is the unpublished, confidential and trade secret property of Commodore-Amiga, Inc. Any use, reproduction, or disclosure of this information without the prior written permission of Commodore is strictly prohibited.		DRAWN BY: DATE DAVE HAYNIE 12/15/91	
C.A.D. Generated No manual changes may be made to this document		Commodore SCHEMATIC GEMINI	
SIZE 31xxxx		REV 1	
SCALE NONE		SHEET 2 OF 5	

PATH: ~/haynie/boards/gemini sheet2



# PROCESSOR x

© rebuild for www.amigawiki.org · for private use only

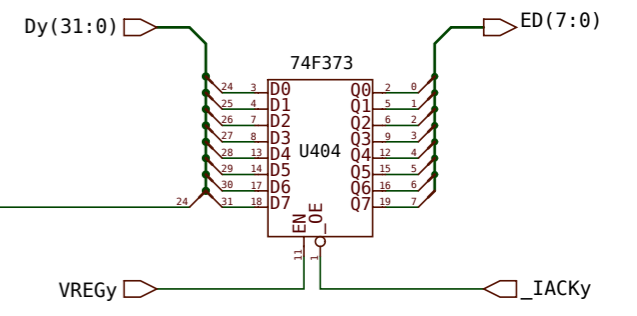
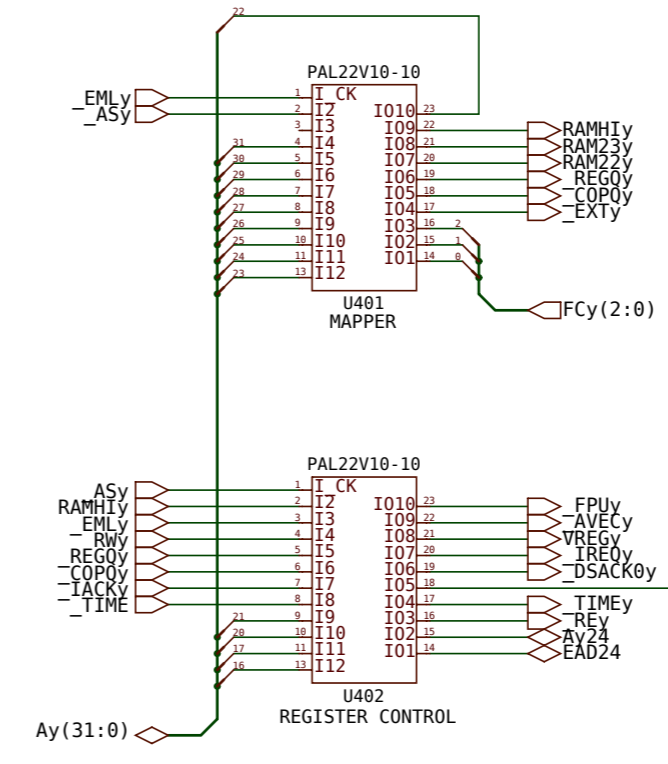
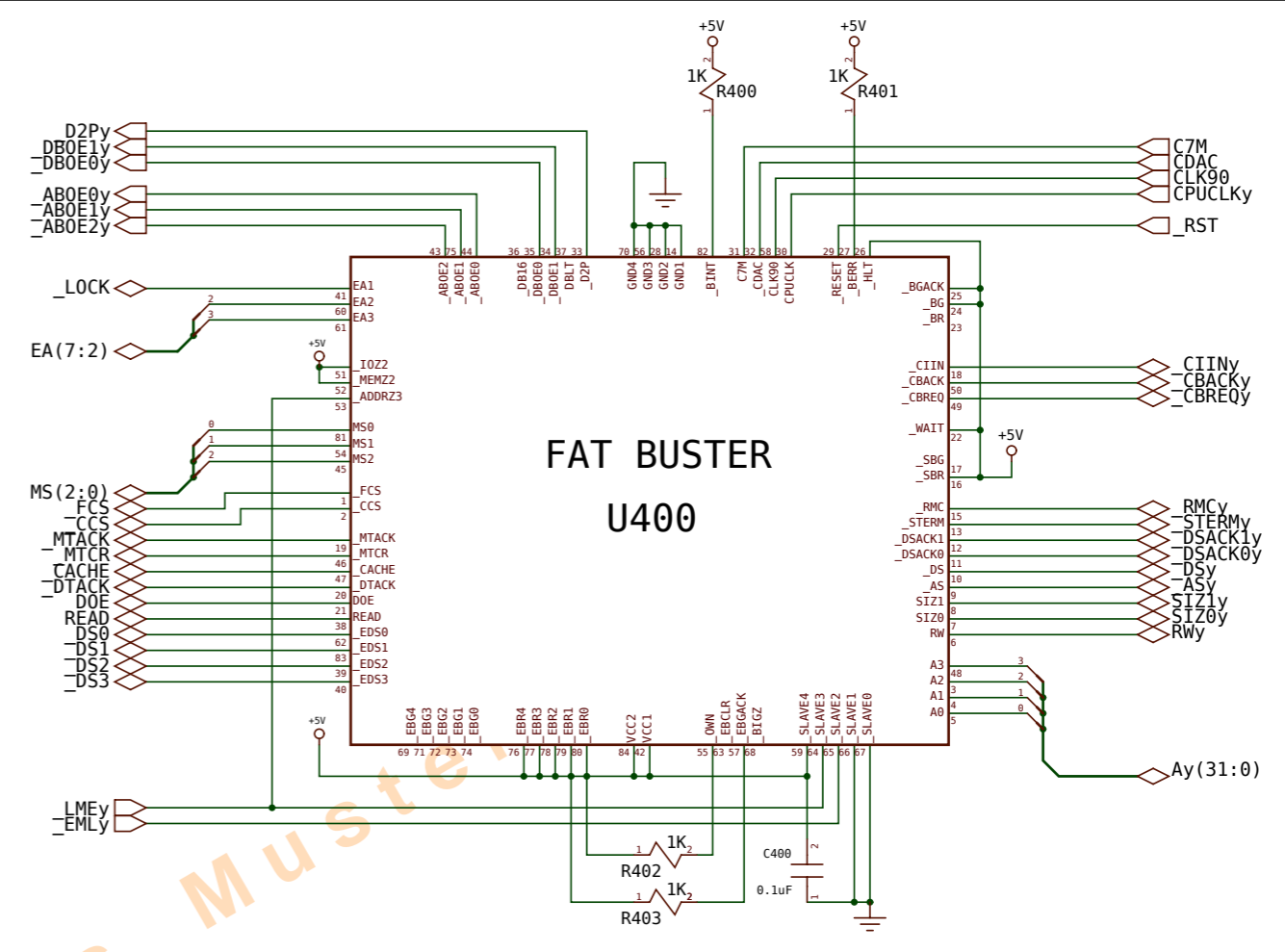
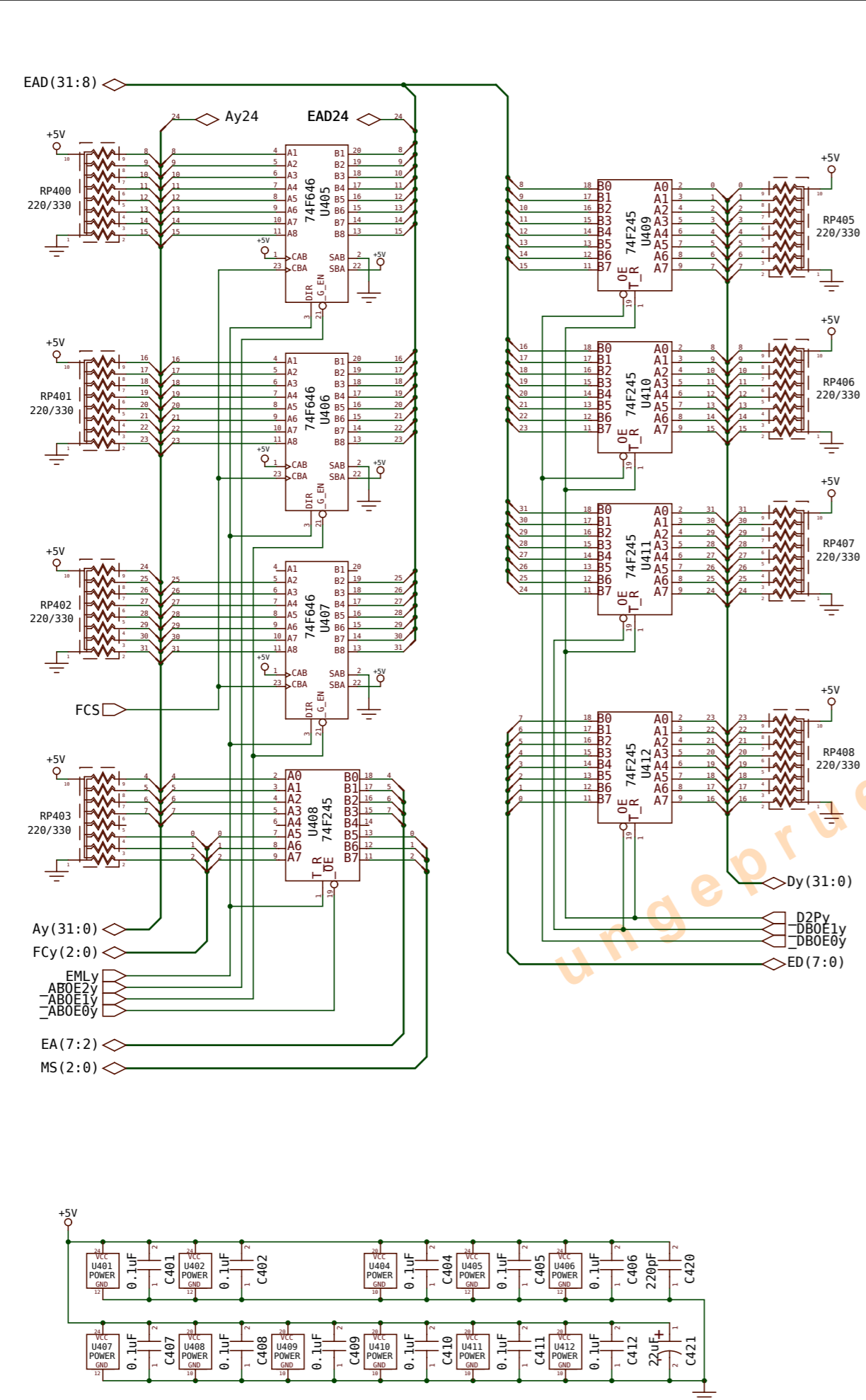
I will turn your face to alabaster, when you find your servant is your master

© 1991 COMMODORE-AMIGA, INC.  
 Information contained herein is the unpublished, confidential and trade secret property of Commodore-Amiga, Inc. Any use, reproduction, or disclosure of this information without the prior written permission of Commodore is strictly prohibited.

C.A.D. Generated  
 No manual changes may be made to this document

DRAWN BY: DAVE HAYNIE	DATE: 1/17/91	<b>Commodore</b>
CHKD: DBH	APPR:	
USED ON: GEMINI	NEXT ASSY: 31xxxx	<b>SCHEMATIC GEMINI</b>
SIZE: C	31xxxx	SCALE: NONE SHEET: 3 OF 5

PATH: ~/haynie/boards/gemini sheets



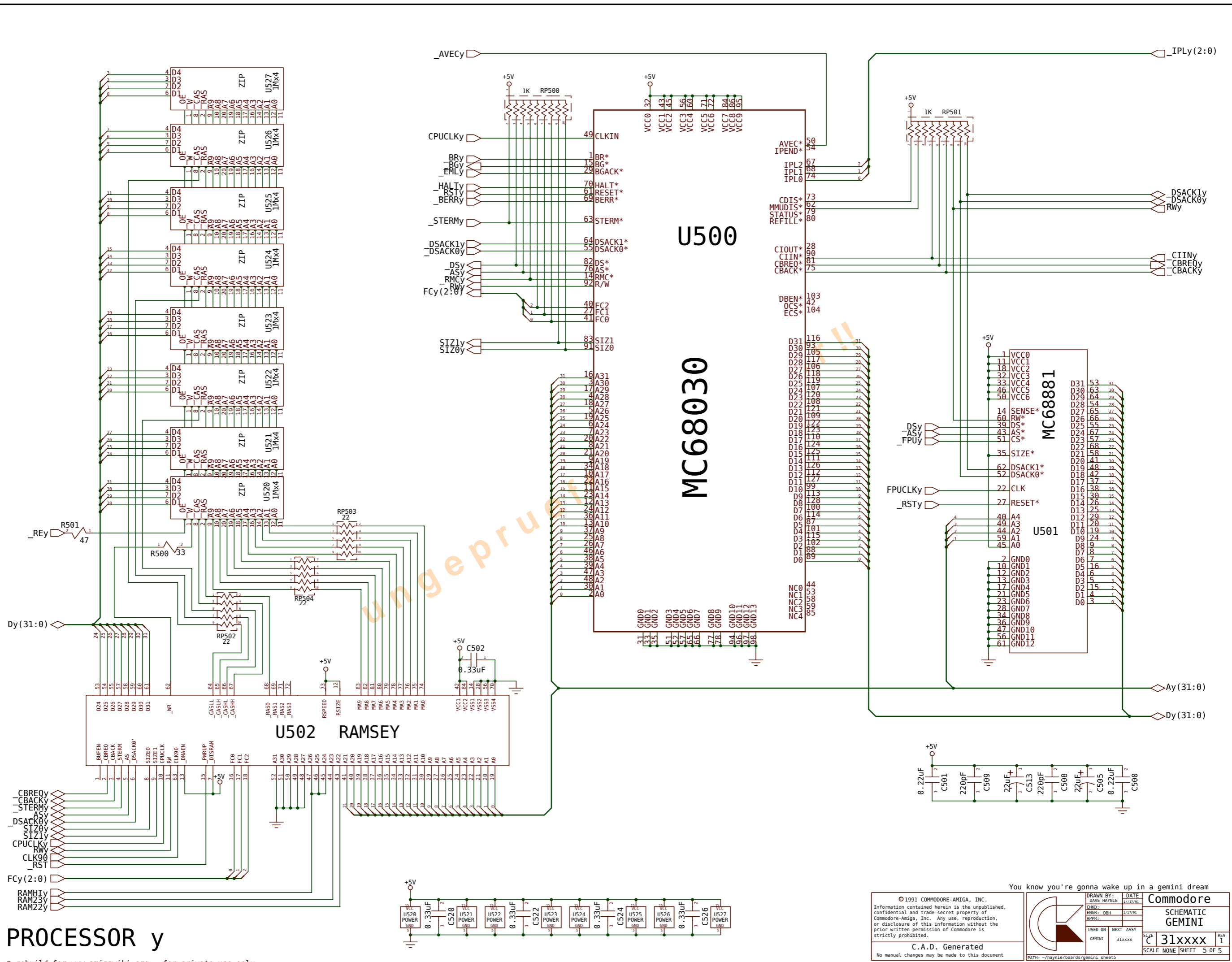
# BUS INTERFACE y

Imagine all the people, sharing all the world

© 1991 COMMODORE-AMIGA, INC. Information contained herein is the unpublished, confidential and trade secret property of Commodore-Amiga, Inc. Any use, reproduction, or disclosure of this information without the prior written permission of Commodore is strictly prohibited.		DRAWN BY: DATE DAVID HAYNIE 11/17/91 ENGR: DBH 11/17/91 APPR:		<b>Commodore</b> SCHEMATIC GEMINI	
C.A.D. Generated No manual changes may be made to this document		USED ON NEXT ASSY GEMINI 31xxxx		SIZE 31xxxx REV 1 SCALE NONE SHEET 4 OF 5	

PATH: ~/haynie/boards/gemini sheet4





# PROCESSOR y

© rebuild for www.amigawiki.org · for private use only

You know you're gonna wake up in a gemini dream

<p>© 1991 COMMODORE-AMIGA, INC.          Information contained herein is the unpublished, confidential and trade secret property of Commodore-Amiga, Inc. Any use, reproduction, or disclosure of this information without the prior written permission of Commodore is strictly prohibited.</p>		<p>DRAWN BY: DAVE HAYNIE          DATE: 12/27/91          CHDR: DBH          APPR: [ ]</p>	<p><b>Commodore</b>  <b>SCHEMATIC</b>  <b>GEMINI</b></p>
<p>C.A.D. Generated          No manual changes may be made to this document</p>		<p>USED ON: GEMINI          NEXT: 31xxxx</p>	<p>SIZE: C 31xxxx          SCALE: NONE          SHEET: 5 OF 5</p>

PATH: ~/haynie/boards/gemini sheets