

# Amiga

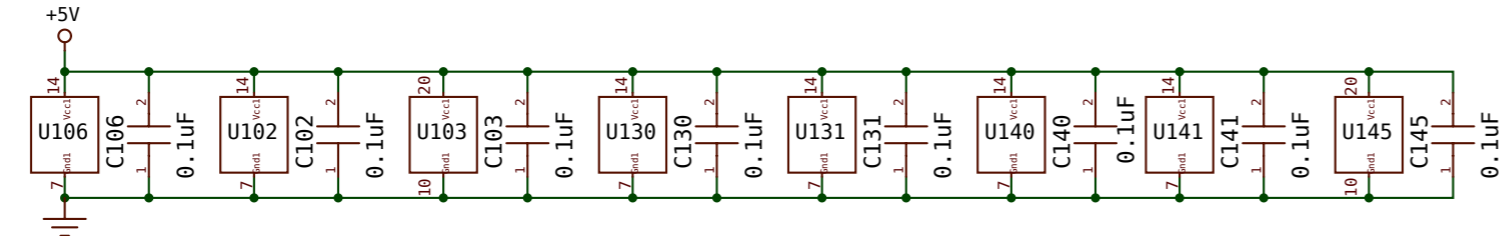
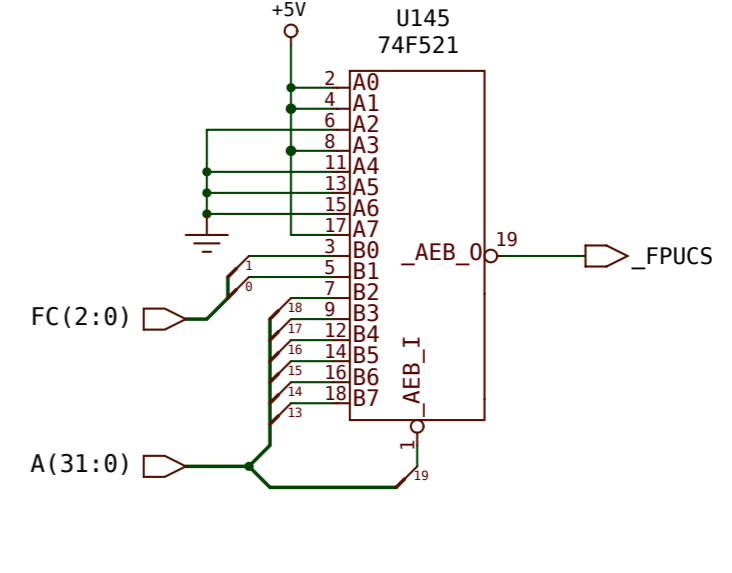
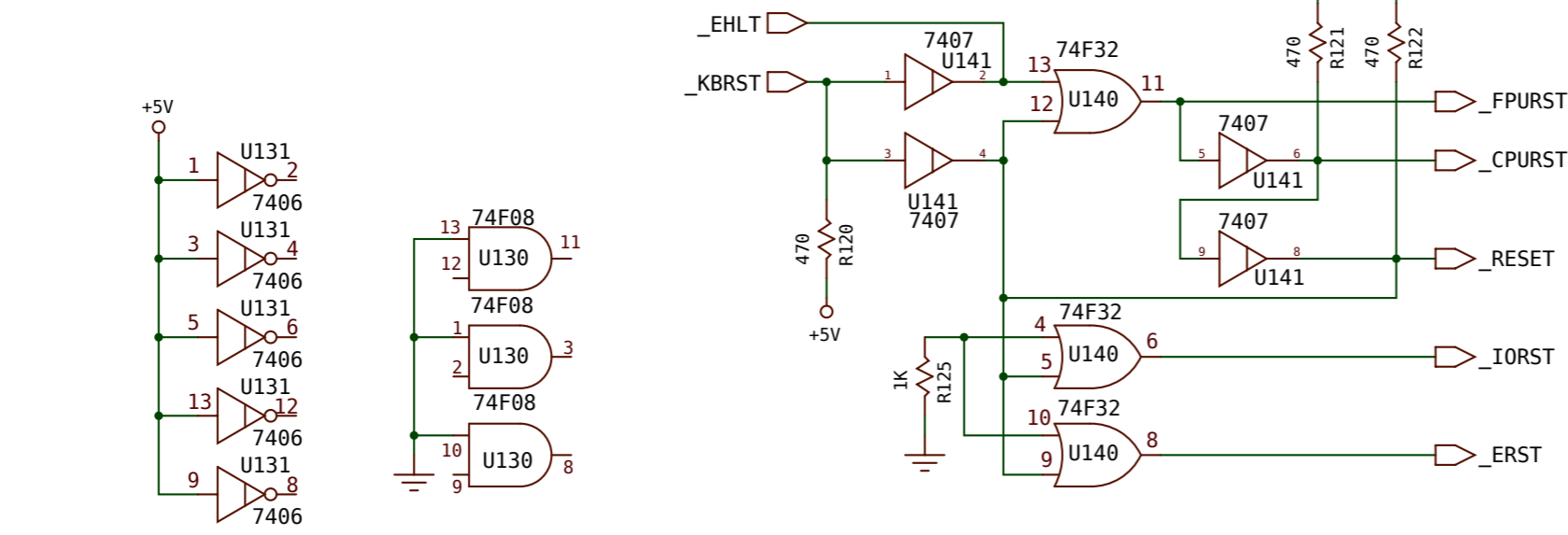
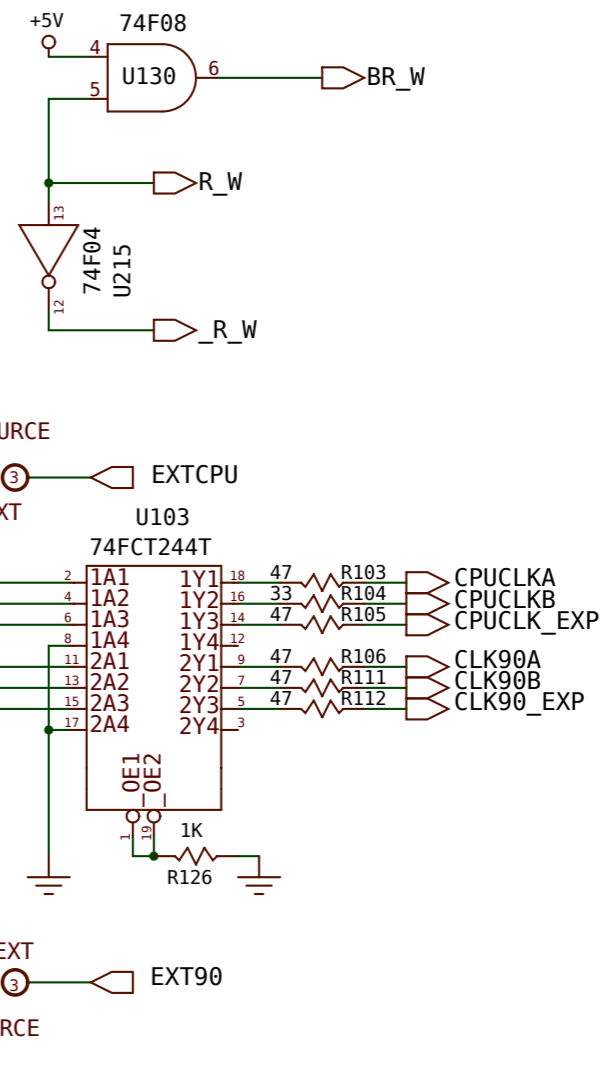
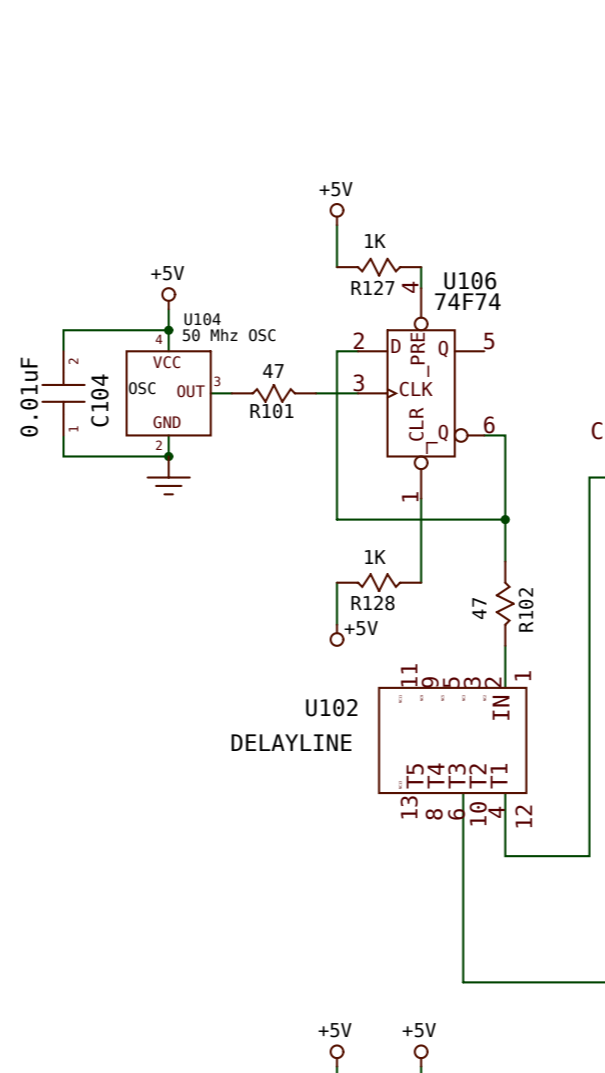
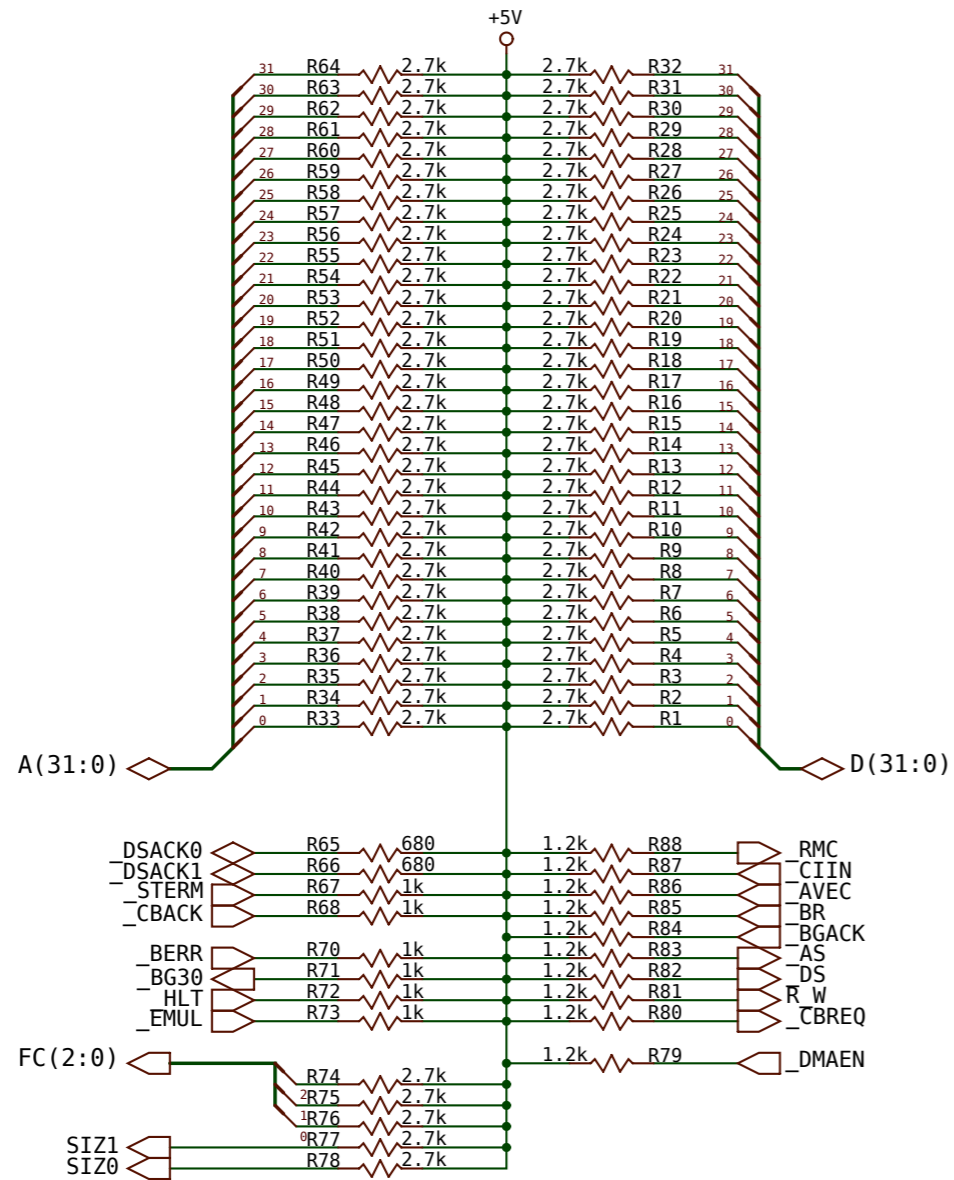
# A4000\_Rb

Rev.1.37 (02.09.2012)



[www.amigawiki.org](http://www.amigawiki.org)

---

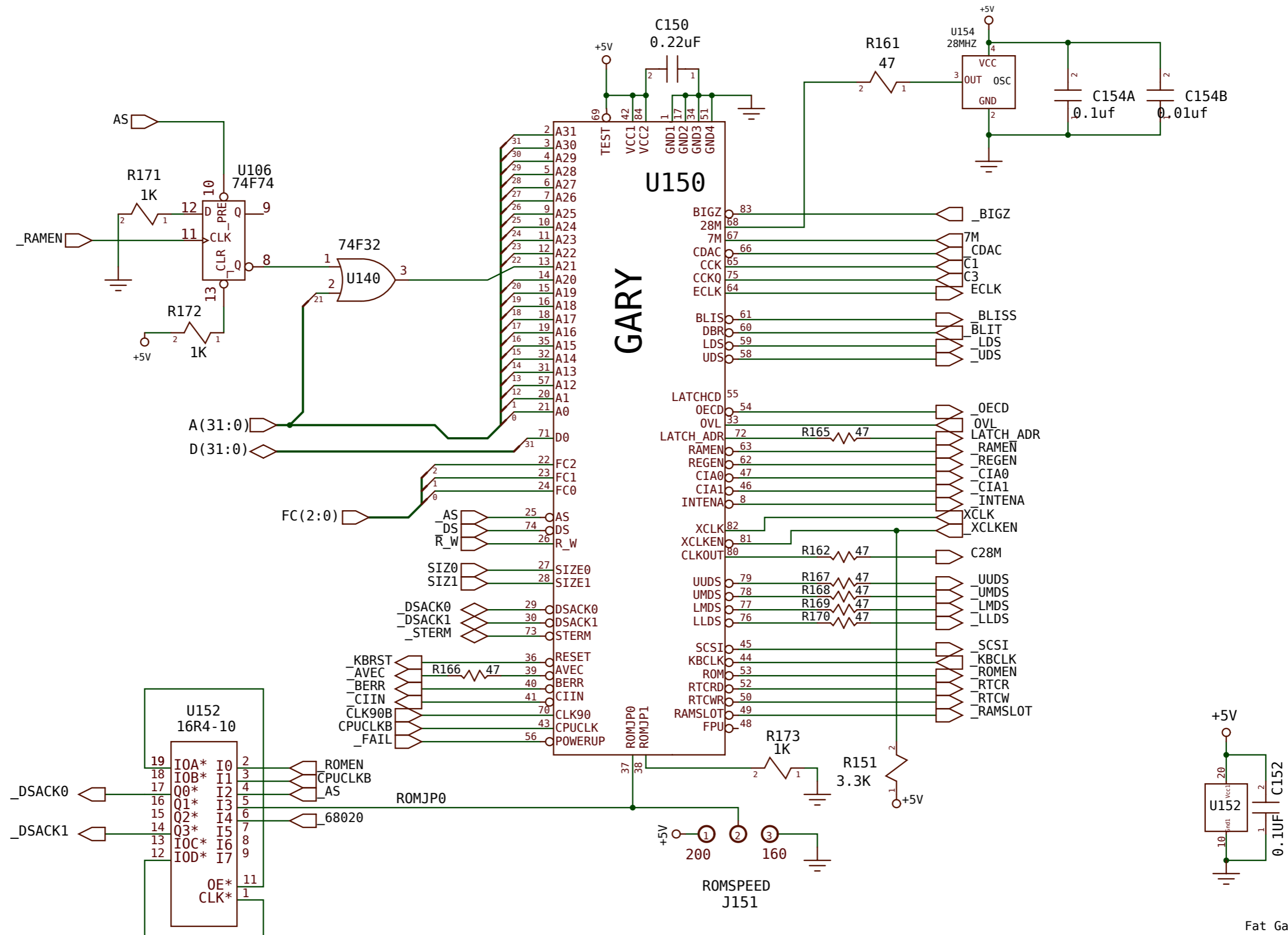


© 1990 COMMODORE BUSINESS MACHINES  
 Information contained herein is the unpublished, confidential and trade secret property of Commodore Business Machines, Inc. Any use, reproduction or disclosure of this information without the prior written permission of Commodore is strictly prohibited.  
**C.A.D. Generated**  
 No manual changes may be made to this document

UNLESS OTHERWISE SPECIFIED		DRAWN BY: GREG BERLIN	DATE: 3/30/92
0.X, 0.XX, 0.XXX		CHKD: GCB	
MATERIAL:		APPR:	
FINISH:		USED ON: A4000	NEXT ASSY:
Commodore			SCHEMATIC
A4000			REV B
SIZE C	364836	SCALE NONE	SHEET 3 OF 17

PATH: /project/aa1000/pcb\_rev? processor

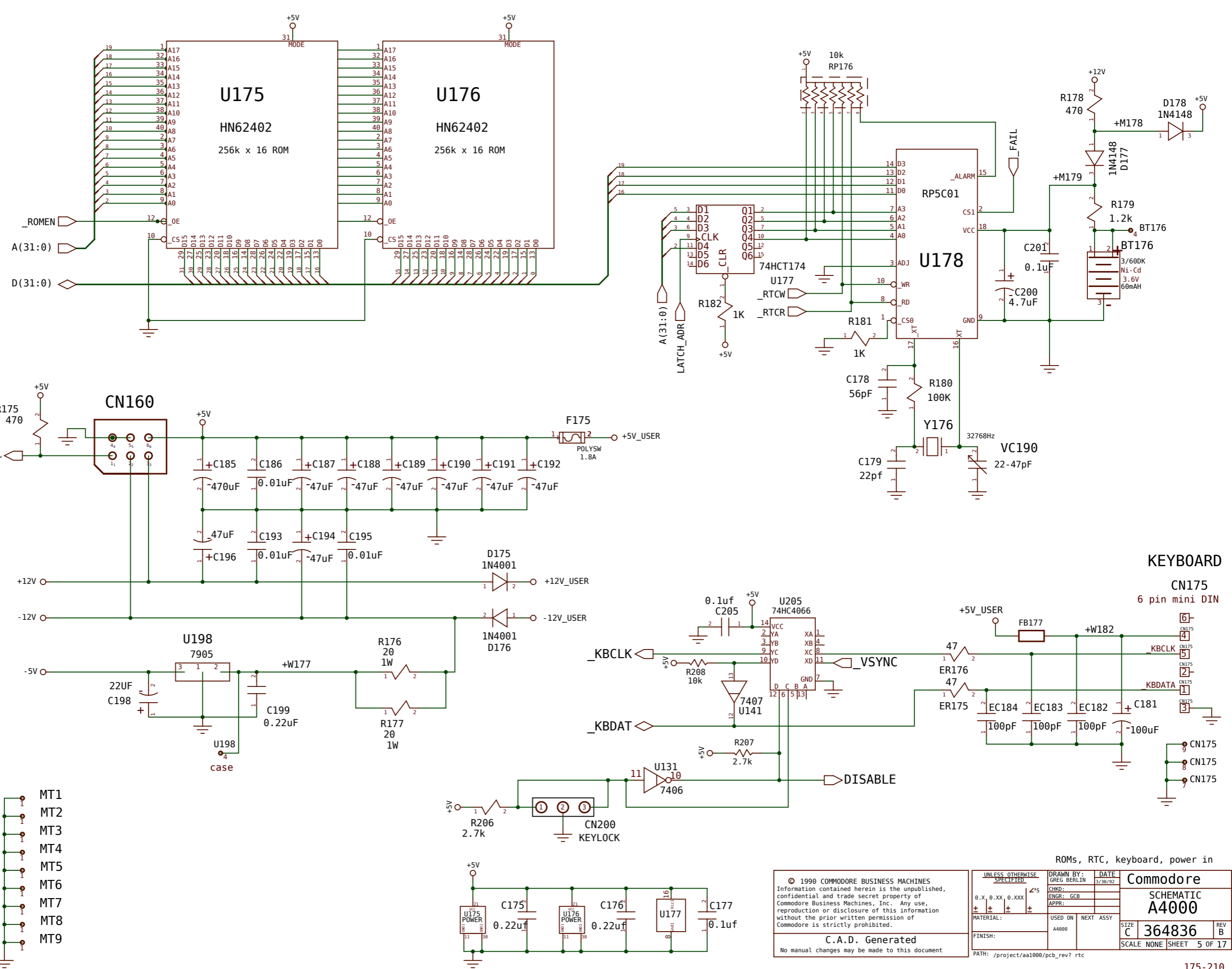
Rev. 1.37 (02-09-2012)



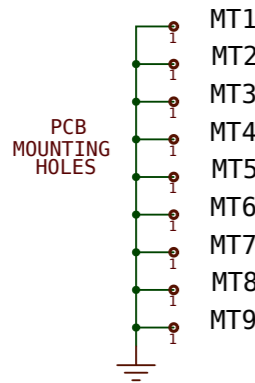
Fat Gary, ROM stuff

© 1990 COMMODORE BUSINESS MACHINES Information contained herein is the unpublished, confidential and trade secret property of Commodore Business Machines, Inc. Any use, reproduction or disclosure of this information without the prior written permission of Commodore is strictly prohibited.  <b>C.A.D. Generated</b> No manual changes may be made to this document	UNLESS OTHERWISE SPECIFIED 0.X, 0.XX, 0.XXX ± ± ± ± MATERIAL: FINISH:	DRAWN BY: GREG BERLIN CHKD: ENGR: GCB APPR:	DATE 3/30/92	<b>Commodore</b> <b>SCHEMATIC</b> <b>A4000</b>
	USED ON A4000	NEXT ASSY	SIZE C	REV B
	SCALE NONE SHEET 4 OF 17		PATH: /project/aa1000/pcb_rev? gary	150-174

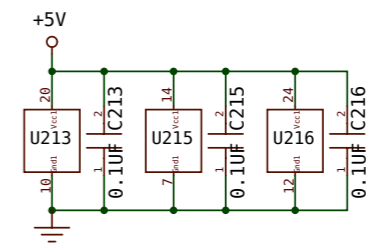
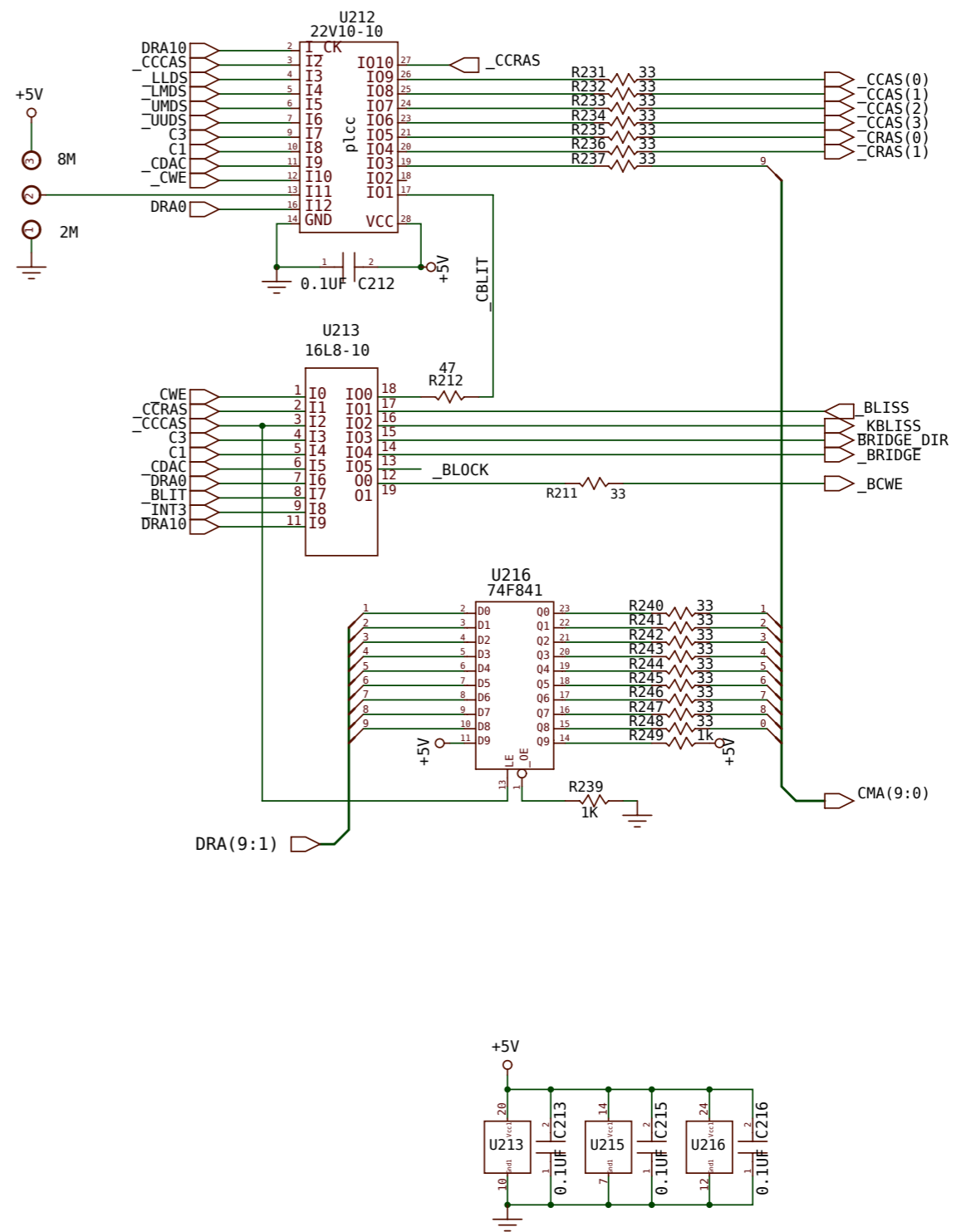
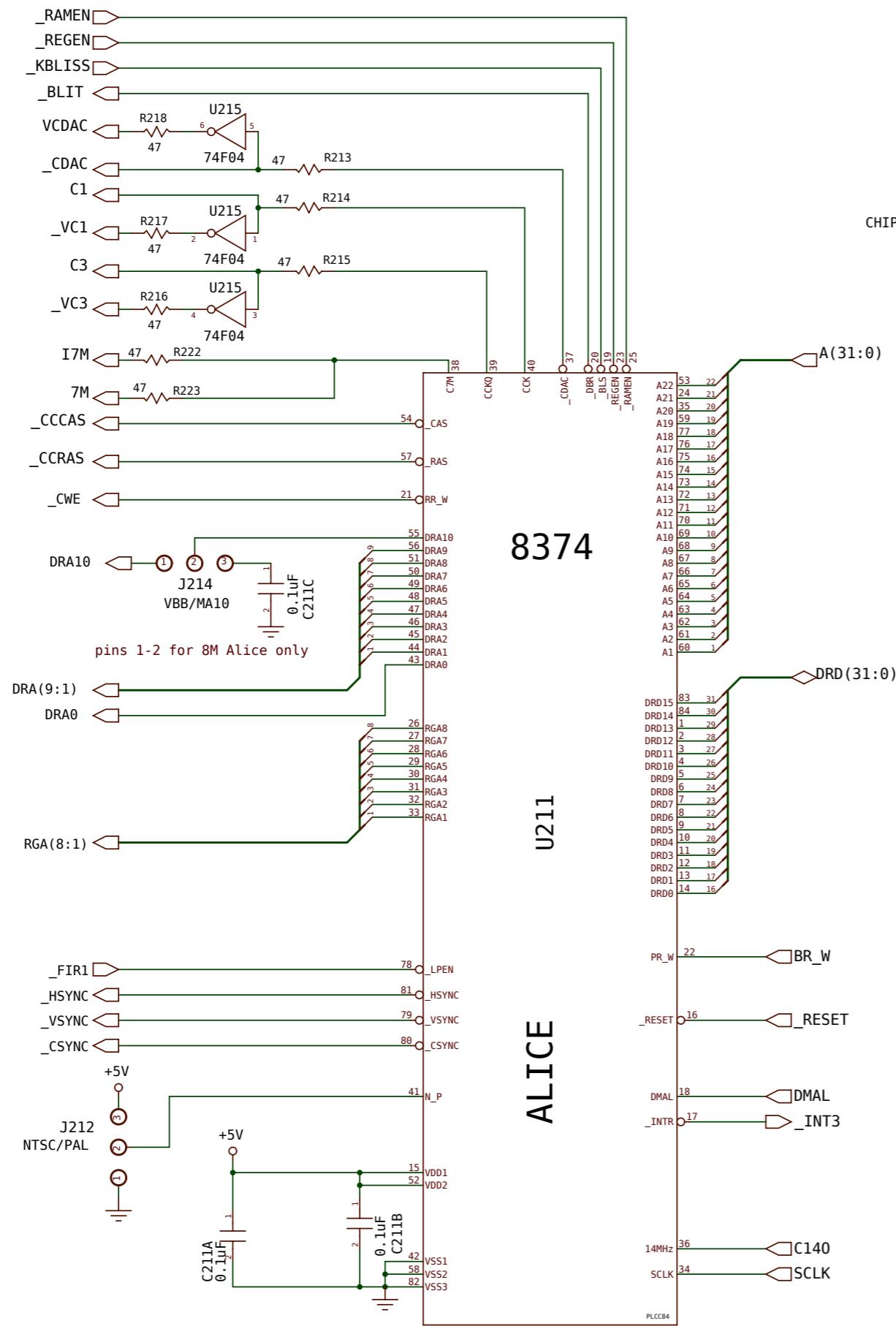
Rev. 1.37 (02.09.2012)



Rev. 1.37 (02.09.2012)



© 1990 COMMODORE BUSINESS MACHINES Information contained herein is the unpublished, confidential and trade secret property of Commodore Business Machines, Inc. Any use, reproduction or disclosure of this information without the prior written permission of Commodore is strictly prohibited.		UNLESS OTHERWISE SPECIFIED 0.X 0.XX 0.XXX MATERIAL: FINISH:	DRAWN BY: GREG BERLIN CHKD: GCB ENGR: GCB APPR:	DATE: 3/30/92 USED ON: A4000 NEXT ASSY:	Commodore SCHEMATIC <b>A4000</b> SIZE: C SCALE: NONE SHEET: 5 OF 17
C.A.D. Generated No manual changes may be made to this document		PATH: /project/aal000/pcb_rev? rtc		175-210	

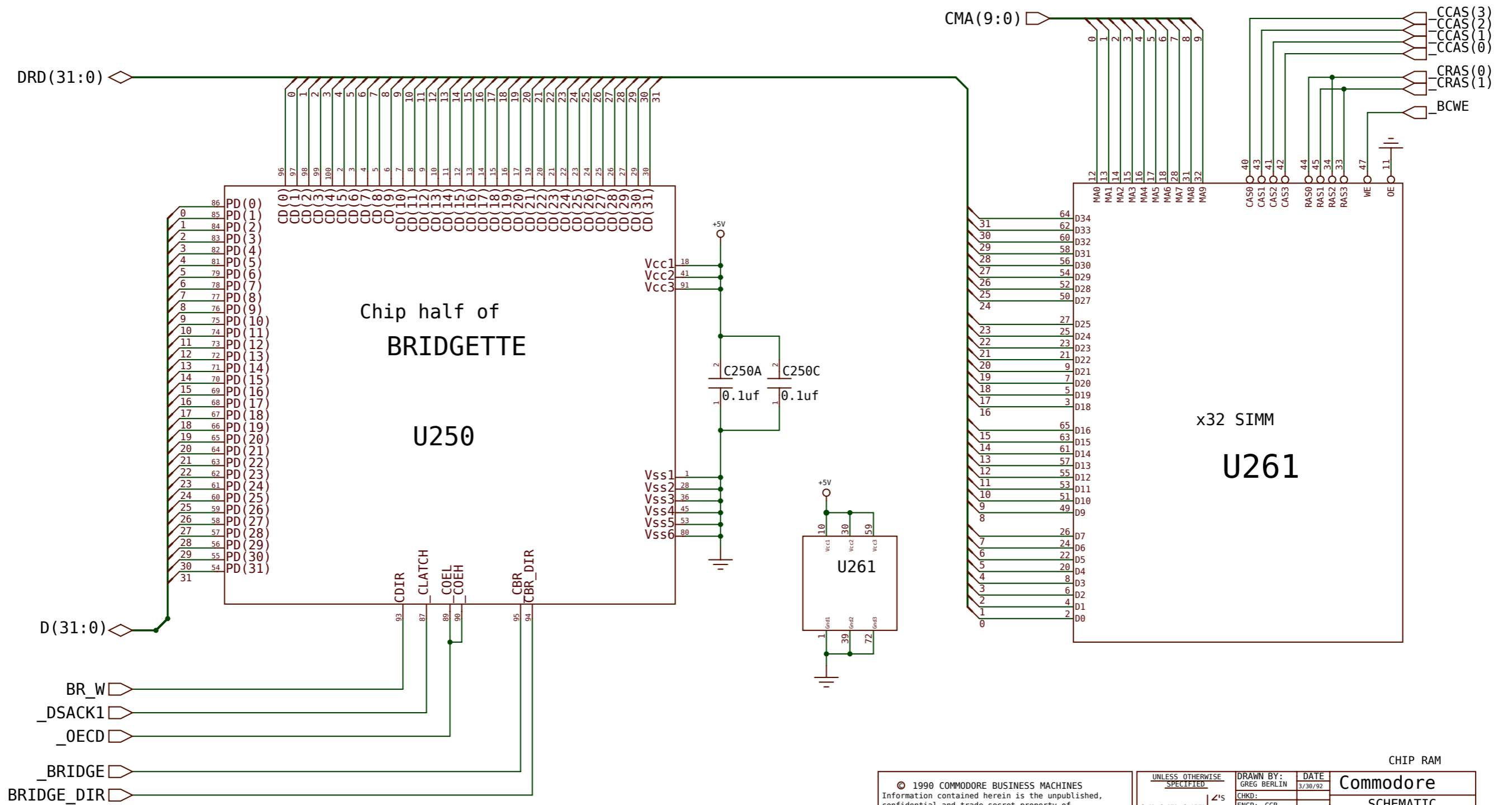


I want to live with the cinnamon girl

© 1992 COMMODORE-AMIGA, INC. Information contained herein is the unpublished, confidential and trade secret property of Commodore-Amiga, Inc. Any use, reproduction, or disclosure of this information without the prior written permission of Commodore is strictly prohibited.		UNLESS OTHERWISE SPECIFIED	DRAWN BY: GREG BERLIN	DATE: 8/29/91
0.X, 0.XX, 0.XXX	1/5	CHKD: GCB	ENGR: GCB	
+	+	+	+	
MATERIAL:	USED ON	NEXT ASSY		
FINISH:	A4000			
C.A.D. Generated No manual changes may be made to this document			SCALE NONE	SHEET 6 OF 17

PATH: /project/aa1000/pcb\_rev? alice

Rev. 1.37 (02/09/2012)

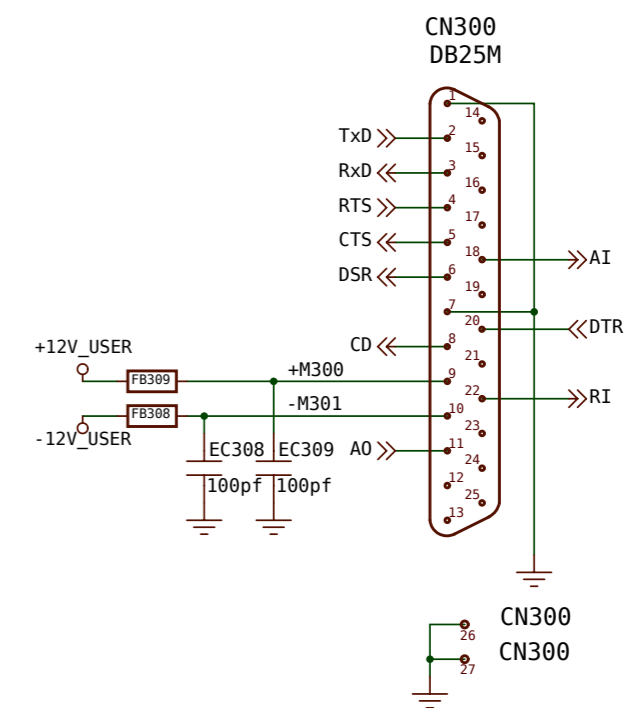
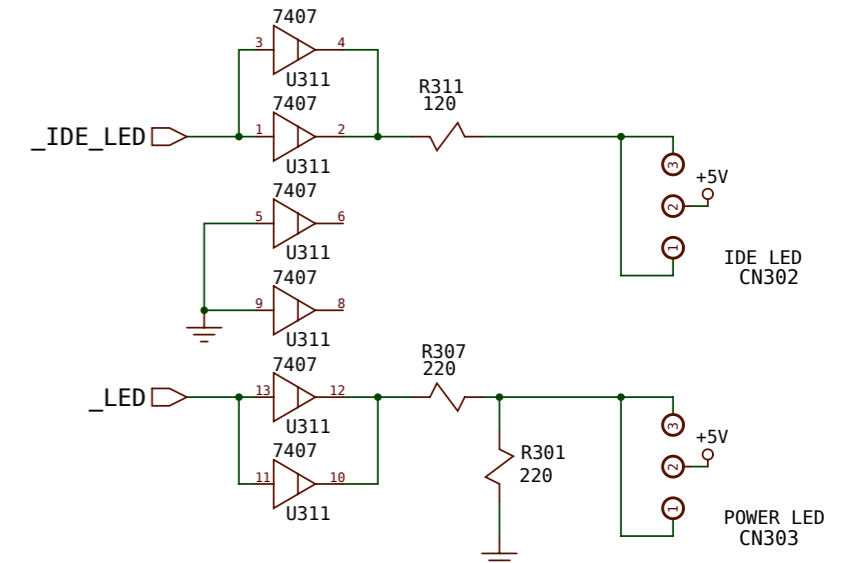
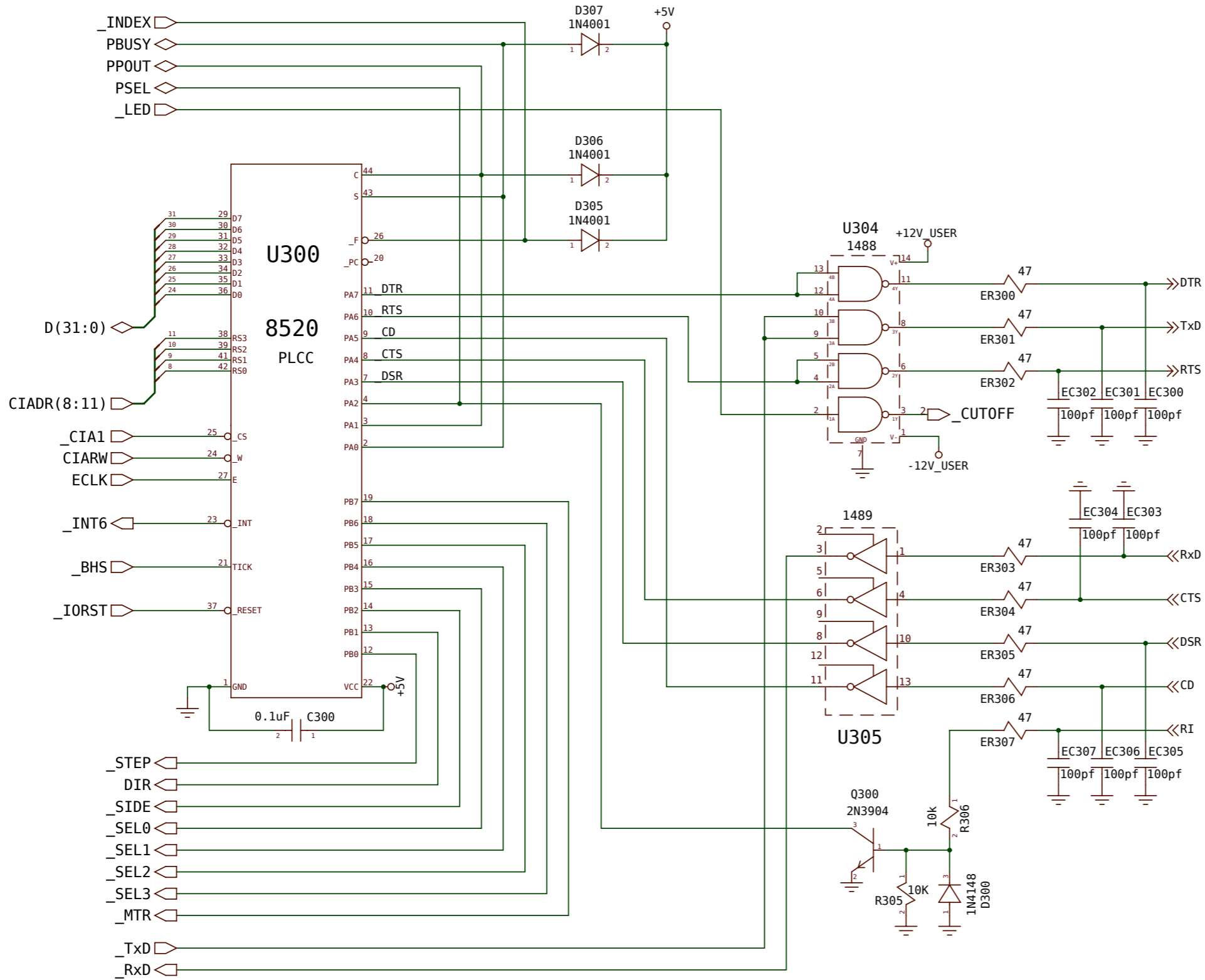


© 1990 COMMODORE BUSINESS MACHINES  
 Information contained herein is the unpublished, confidential and trade secret property of Commodore Business Machines, Inc. Any use, reproduction or disclosure of this information without the prior written permission of Commodore is strictly prohibited.

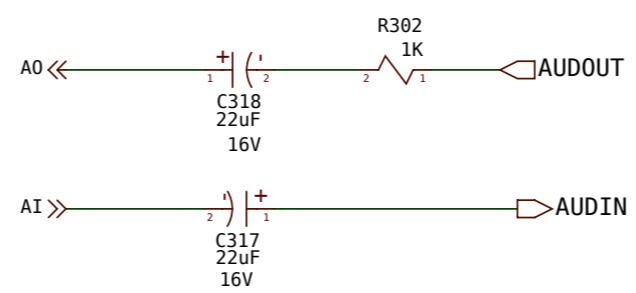
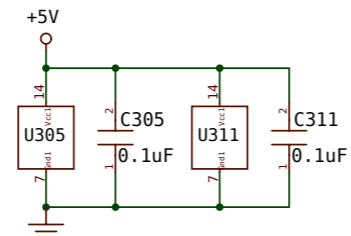
**C.A.D. Generated**  
 No manual changes may be made to this document

UNLESS OTHERWISE SPECIFIED		DRAWN BY: GREG BERLIN	DATE: 3/30/92	<b>Commodore</b>
0.X 0.XX 0.XXX		CHKD:	ENGR: GCB	
± ± ± ±		APPR:		SIZE <b>C</b>
MATERIAL:		USED ON	NEXT ASSY	SCALE NONE
FINISH:		A4000		SHEET 7 OF 17
PATH: /project/aa1000/pcb_rev? chipram				REV <b>B</b>

CHIP RAM



**EXTERNAL SERIAL**

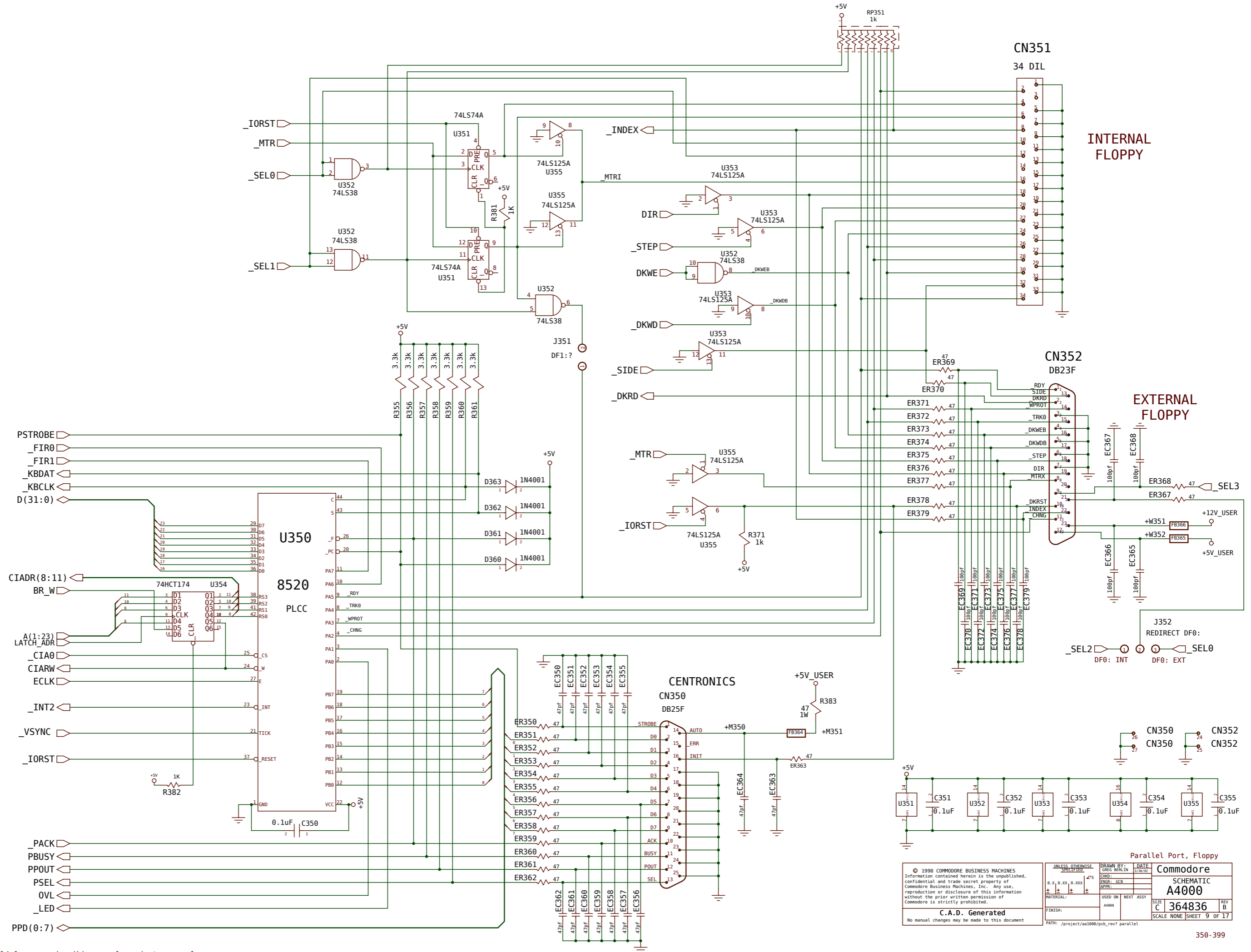


Serial Port		Commodore	
SCHEMATIC		A4000	
SIZE	C	364836	REV B
SCALE	NONE	SHEET 8	OF 17

© 1990 COMMODORE BUSINESS MACHINES  
 Information contained herein is the unpublished, confidential and trade secret property of Commodore Business Machines, Inc. Any use, reproduction or disclosure of this information without the prior written permission of Commodore is strictly prohibited.  
**C.A.D. Generated**  
 No manual changes may be made to this document

UNLESS OTHERWISE SPECIFIED  
 GREG BERLIN  
 DATE 3/30/92  
 ENGR: GCB  
 APPR:  
 USED ON NEXT ASSY  
 A4000



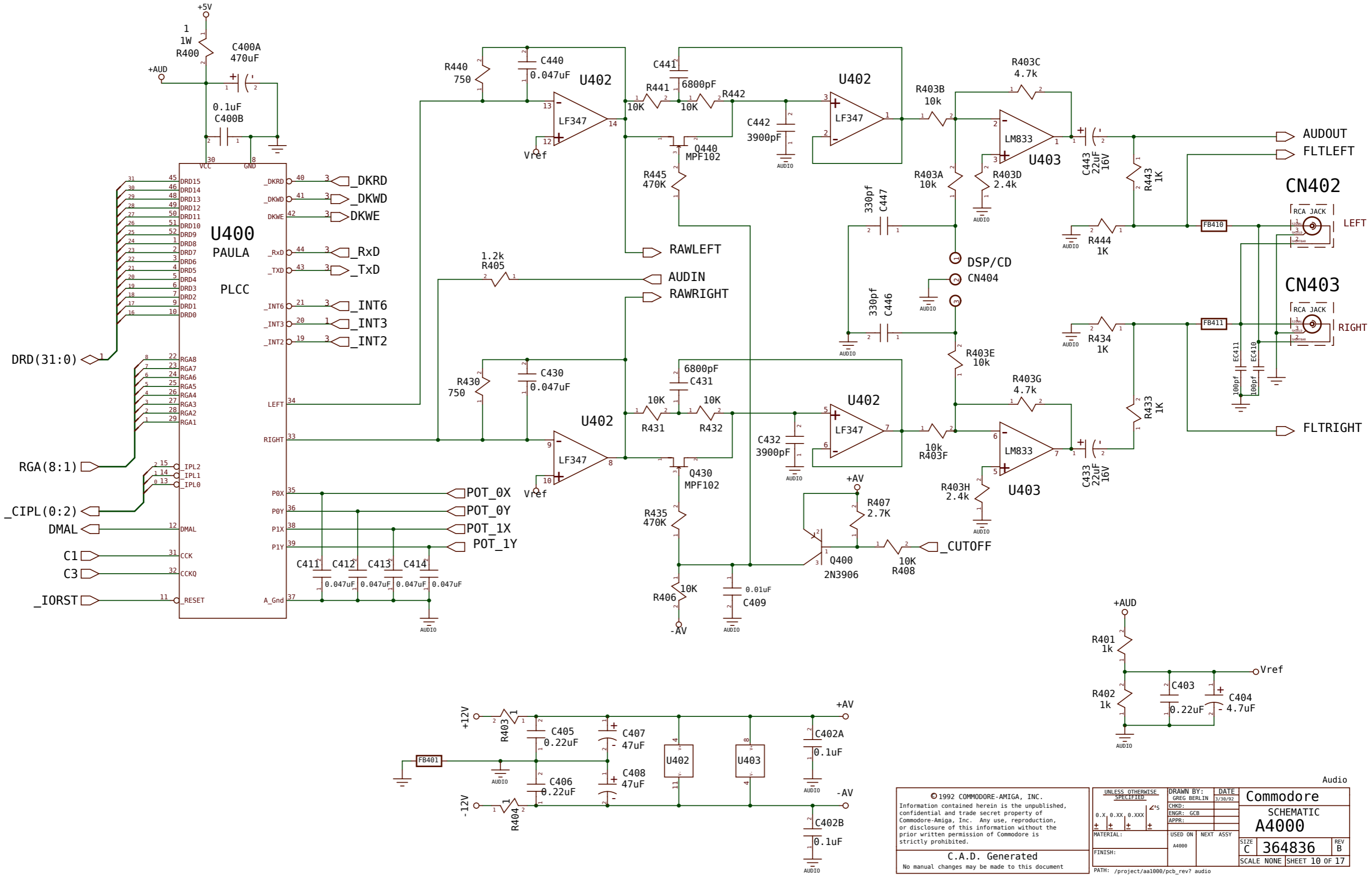


© 1990 COMMODORE BUSINESS MACHINES Information contained herein is the unpublished, confidential and trade secret property of Commodore Business Machines, Inc. Any use, reproduction or disclosure of this information without the prior written permission of Commodore is strictly prohibited.		DRAWN BY: LUCAS BERLIN DATE: 12/28/92 CHECKED: ENGR: GCB APPR:	<b>Commodore</b> <b>SCHEMATIC</b> <b>A4000</b>
MATERIAL:	USED ON:	NEXT ASSY:	SIZE: C <b>364836</b> SCALE: NONE SHEET: 9 OF 17
FINISH:	44000	REVISION:	REV: B
C. A. D. Generated No manual changes may be made to this document			

Parallel Port, Floppy

Rev 1.17 (02-09-2012)

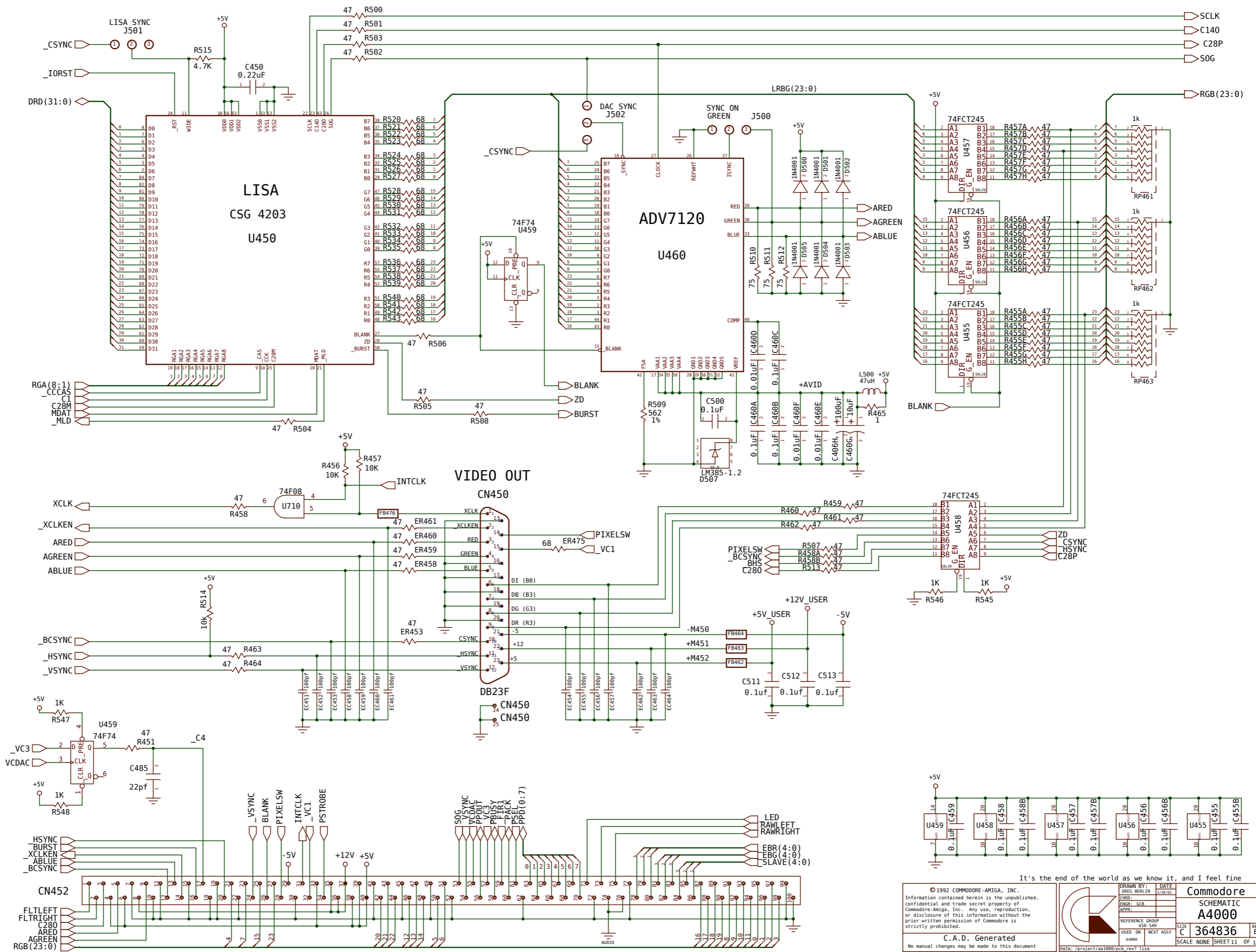




Rev. 1.37 (02-09-2012)

© rebuild for www.amigawiki.org · for private use only

© 1992 COMMODORE-AMIGA, INC. Information contained herein is the unpublished, confidential and trade secret property of Commodore-Amiga, Inc. Any use, reproduction, or disclosure of this information without the prior written permission of Commodore is strictly prohibited.		UNLESS OTHERWISE SPECIFIED 0.X 0.XX 0.XXX ± ± ± ± MATERIAL: FINISH:	DRAWN BY: GREG BERLIN CHKD: ENGR: GCB APPR: USED ON: A4000 NEXT ASSY:	DATE: 3/30/92 <b>Commodore</b> <b>SCHEMATIC</b> <b>A4000</b> SIZE: C SCALE: NONE SHEET: 10 OF 17
C.A.D. Generated No manual changes may be made to this document		PATH: /project/aal000/pcb_rev7 audio		



1.17 (02-08-2012)

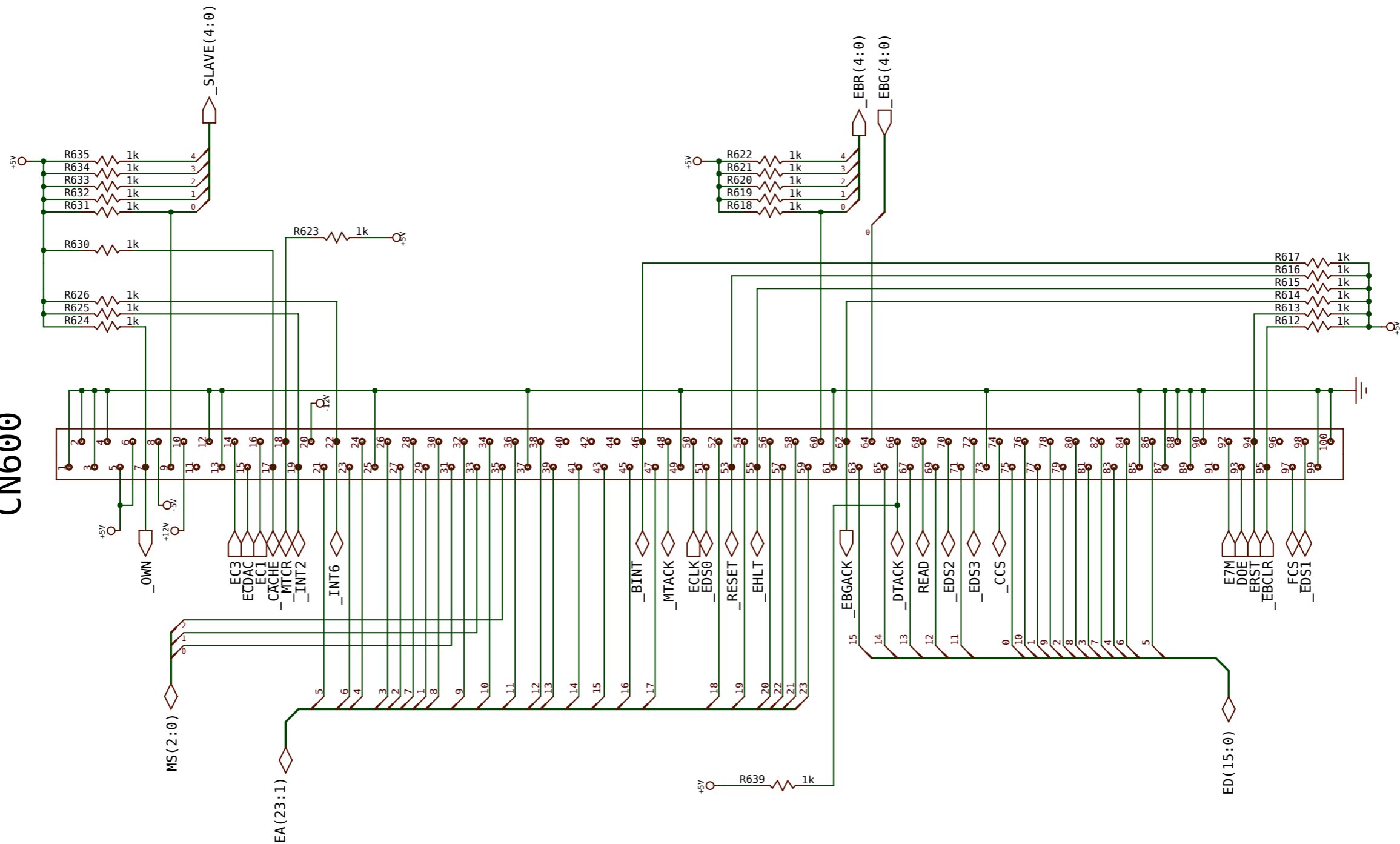
It's the end of the world as we know it, and I feel fine

© 1992 COMMODORE-AMIGA, INC.  
 Information contained herein is the unpublished, confidential and trade secret property of Commodore-Amiga, Inc. Any use, reproduction, or disclosure of this information without the prior written permission of Commodore is strictly prohibited.

DRAWN BY: GREG BERLIN  
 DATE: 3/29/92  
 CHKD: GCB  
 ENGR: GCB  
 APRR:  
 REFERENCE GROUP: 450-549  
 USED ON NEXT ASSY:  
 C.A.D. Generated  
 No manual changes may be made to this document

Commodore  
 SCHEMATIC  
 A4000  
 SIZE: C 364836  
 REV: B  
 SCALE: NONE SHEET 11 OF 16  
 PATH: /project/aa1000/pcb\_rev7 Lisa


# CN600



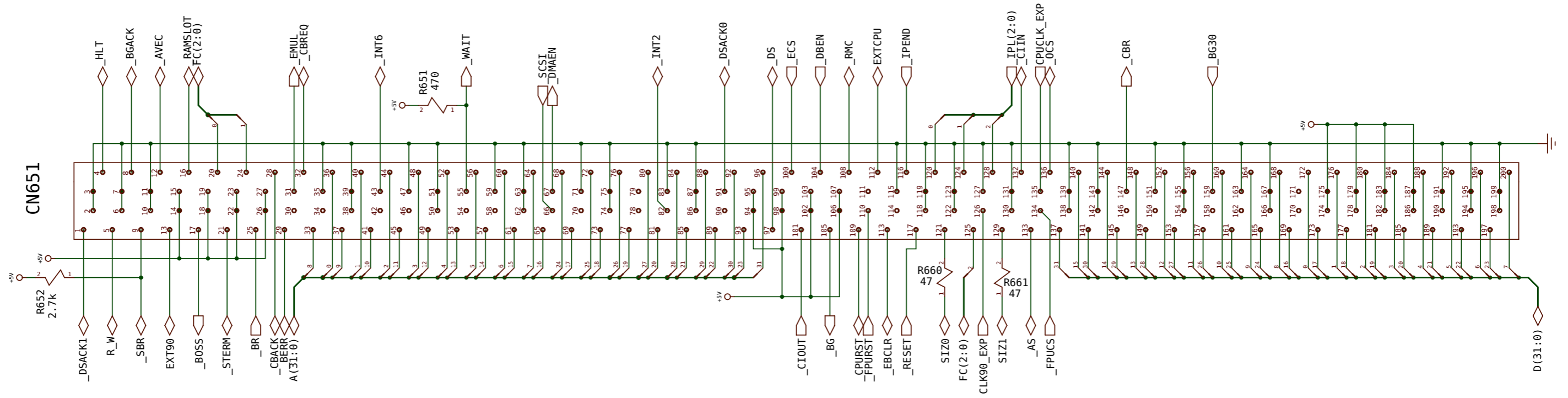
Expansion Bus Connector

© 1990 COMMODORE BUSINESS MACHINES  
 Information contained herein is the unpublished,  
 confidential and trade secret property of  
 Commodore Business Machines, Inc. Any use,  
 reproduction or disclosure of this information  
 without the prior written permission of  
 Commodore is strictly prohibited.

C.A.D. Generated  
 No manual changes may be made to this document

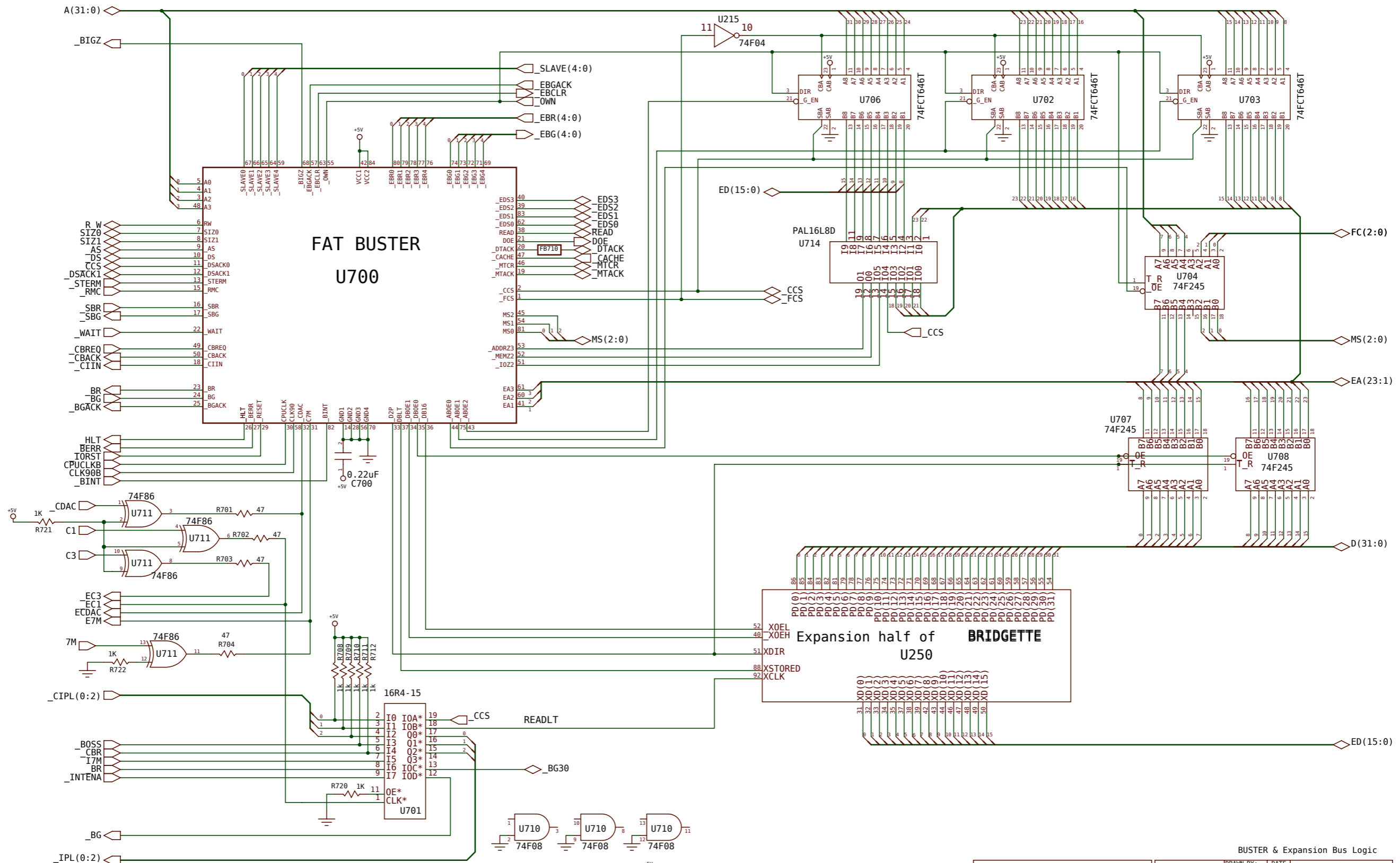
	DRAWN BY: GREG BERLIN CHKD: ENGR: GCB APPR:	DATE: 3/30/92	<b>Commodore</b>	
			SCHEMATIC <b>A4000</b>	
	USED ON: A4000	NEXT:	ASSY:	SIZE: C
PATH: /project/aa1000/pcb_rev? 100pin			SCALE: NONE	SHEET: 12 OF 17

# Amiga 32 BIT LOCAL SLOT



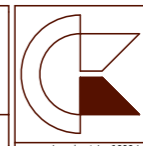
## Local Bus / Coprocessor Connector

<p>© 1990 COMMODORE BUSINESS MACHINES Information contained herein is the unpublished, confidential and trade secret property of Commodore Business Machines, Inc. Any use, reproduction or disclosure of this information without the prior written permission of Commodore is strictly prohibited.</p> <p>C.A.D. Generated No manual changes may be made to this document</p>	DRAWN BY: GREG BERLIN	DATE: 3/30/92	Commodore		
	CHKD: ENGR: GCB APPR:			SCHEMATIC A4000	
	USED ON: A4000	NEXT ASSY:	SIZE: C	364836	REV: B
	PATH: /project/aa1096/pcb_rev? coprocessor		SCALE: NONE	SHEET 13 OF 17	



BUSTER & Expansion Bus Logic

© 1990 COMMODORE BUSINESS MACHINES  
 Information contained herein is the unpublished,  
 confidential and trade secret property of  
 Commodore Business Machines, Inc. Any use,  
 reproduction or disclosure of this information  
 without the prior written permission of  
 Commodore is strictly prohibited.

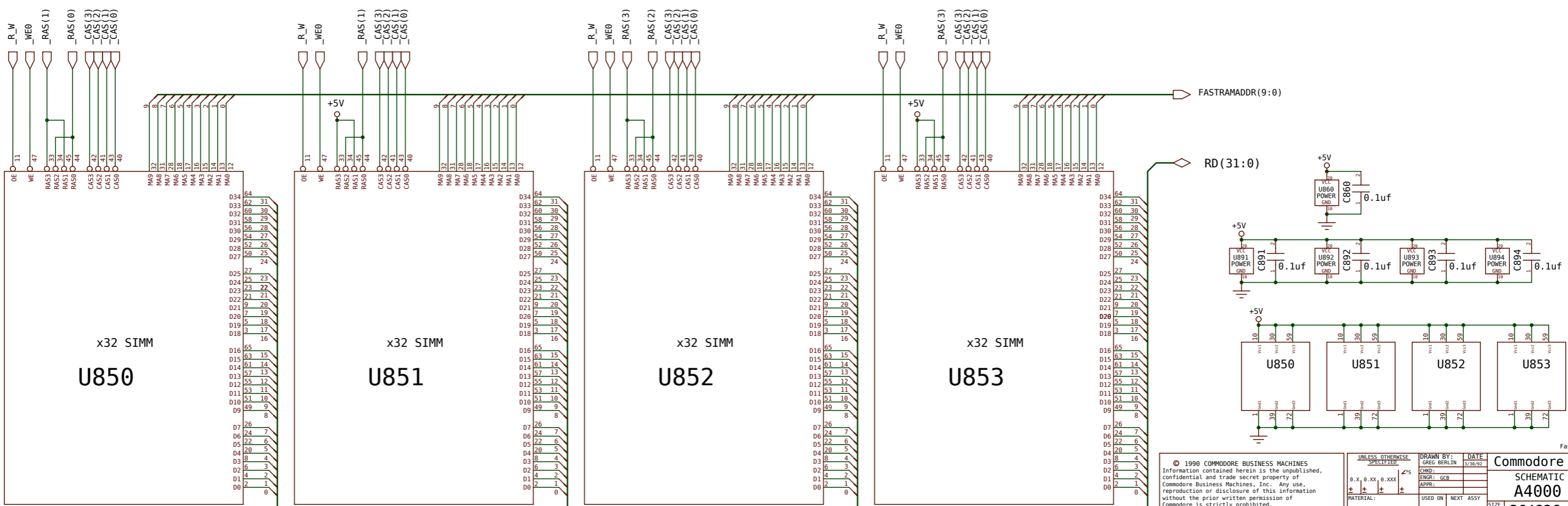
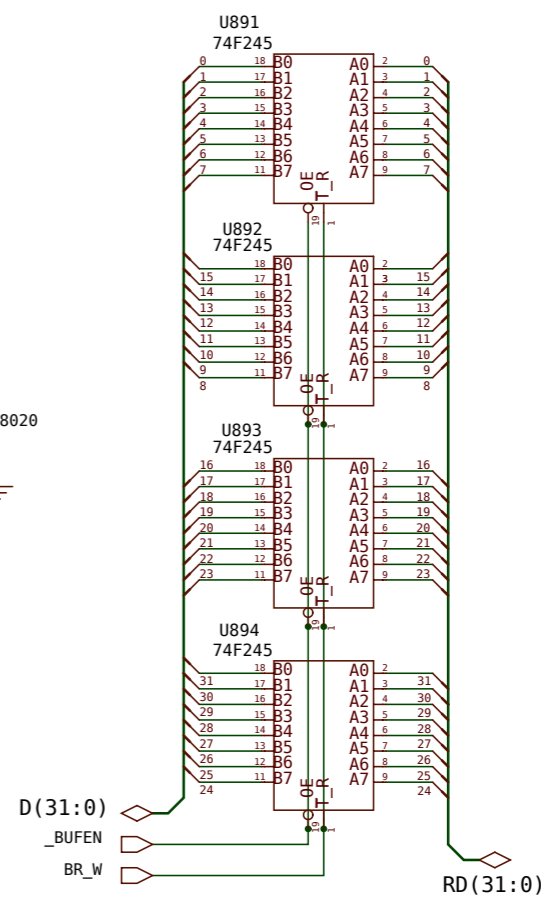
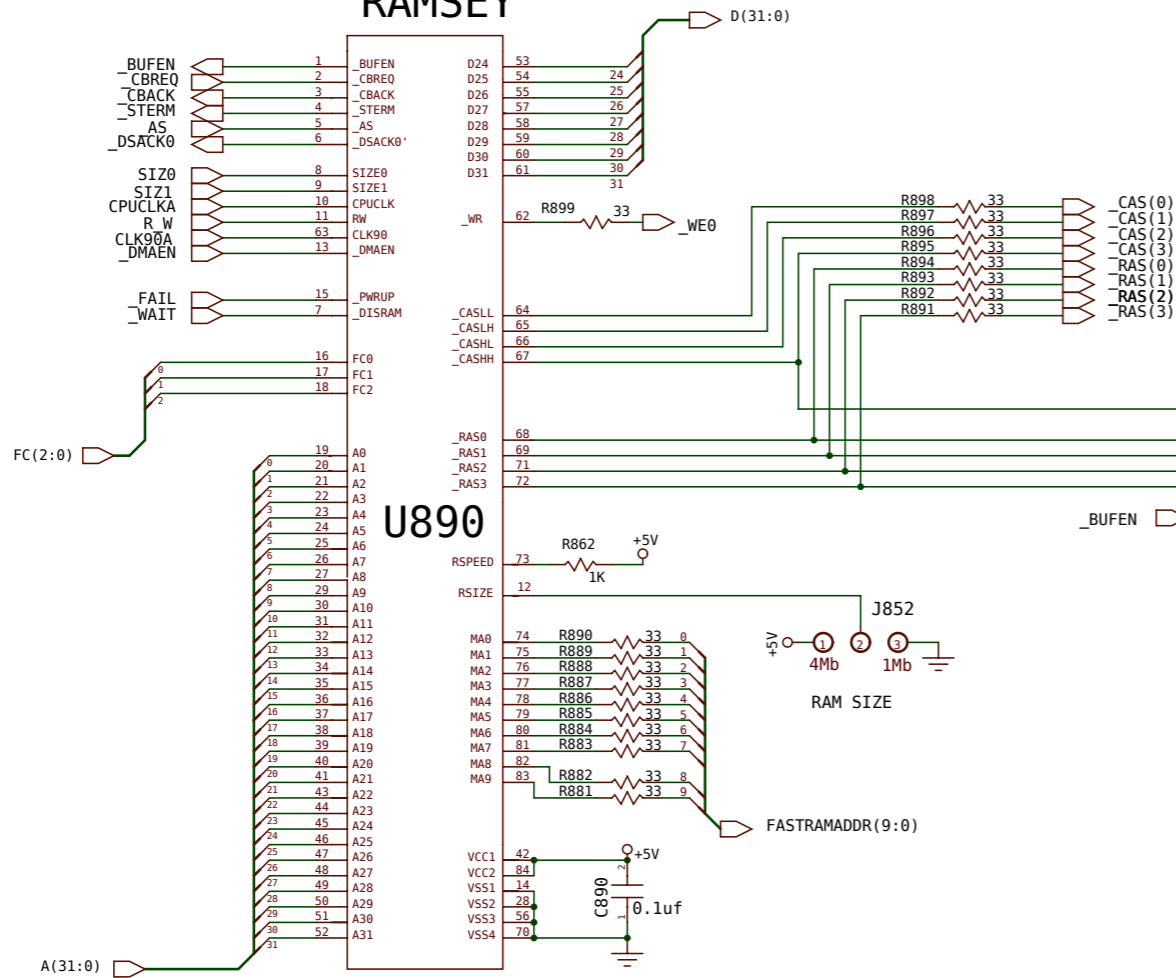


DRAWN BY:	DATE:	Commodore
CHKD:	3/78/82	
ENGR:	GCB	
APPR:		SCHMATIC
USED ON:	NEXT ASSY:	A4000
SIZE:	C	364836
SCALE:	NONE	SHEET 14 OF 17
REV:	B	

C.A.D. Generated  
 No manual changes may be made to this document

PATH: /project/aa1000/pcb/rev7/buster

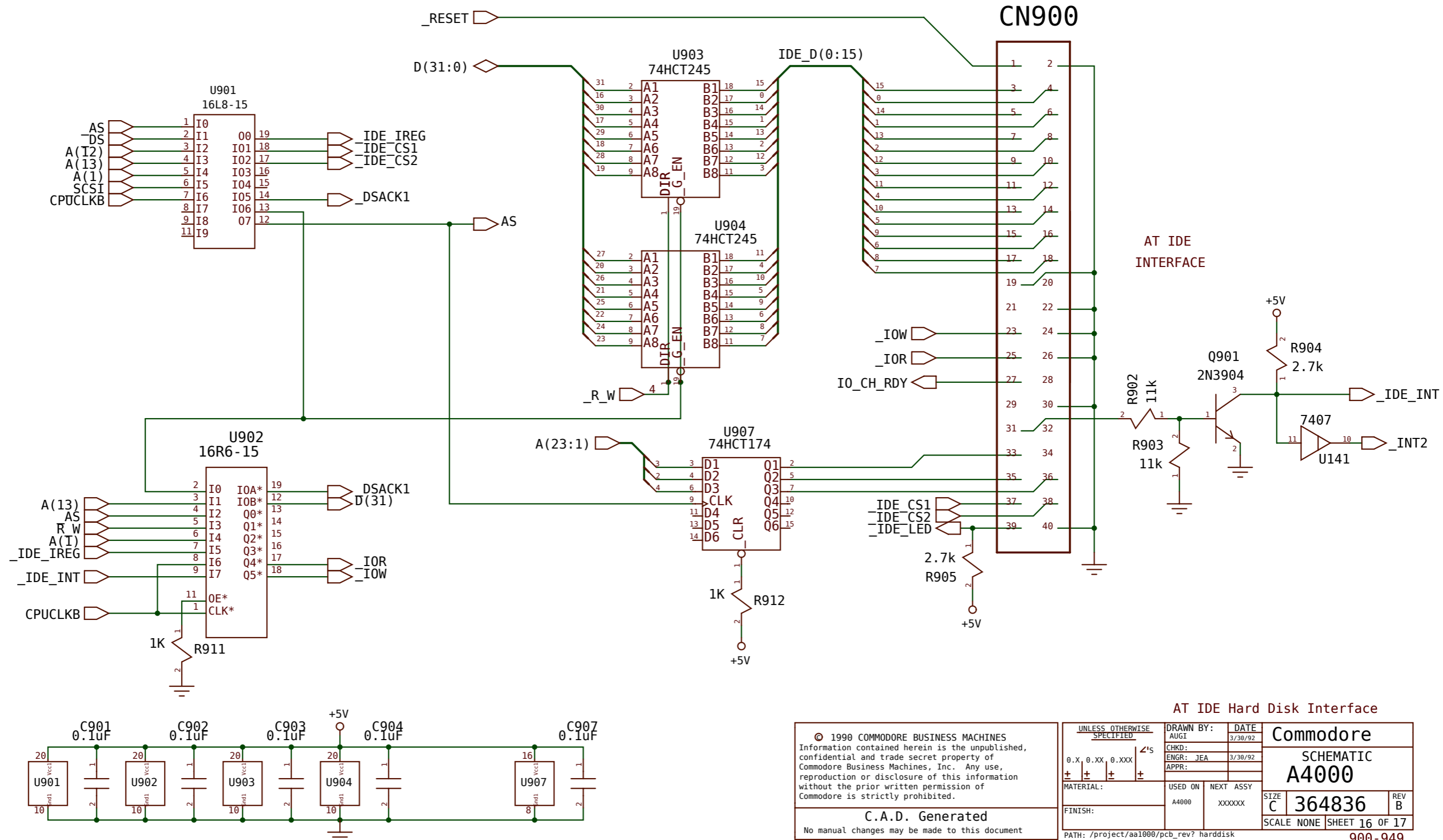
# RAMSEY



© 1990 COMMODORE BUSINESS MACHINES Information contained herein is the unpublished, confidential and trade secret property of Commodore Business Machines, Inc. Any use, reproduction or disclosure of this information without the prior written permission of Commodore is strictly prohibited.		DRAWN BY: GREG BERLIN DATE: 7/30/82 ENGR: GCB APPR:	<b>Commodore</b> SCHEMATIC <b>A4000</b> SIZE C SCALE NONE SHEET 15 OF 17
FINISH: A4000	USED ON NEXT ASSY	C.A.D. Generated No manual changes may be made to this document	PATH: /project/aa1000/pcb_rev7 fastram

Rev 1.37 (02.08.2012)





AT IDE Hard Disk Interface

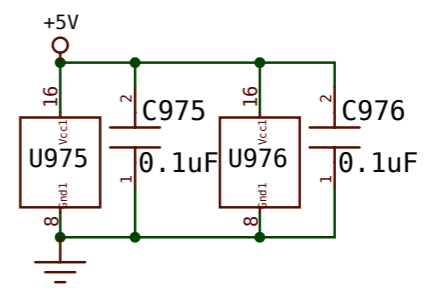
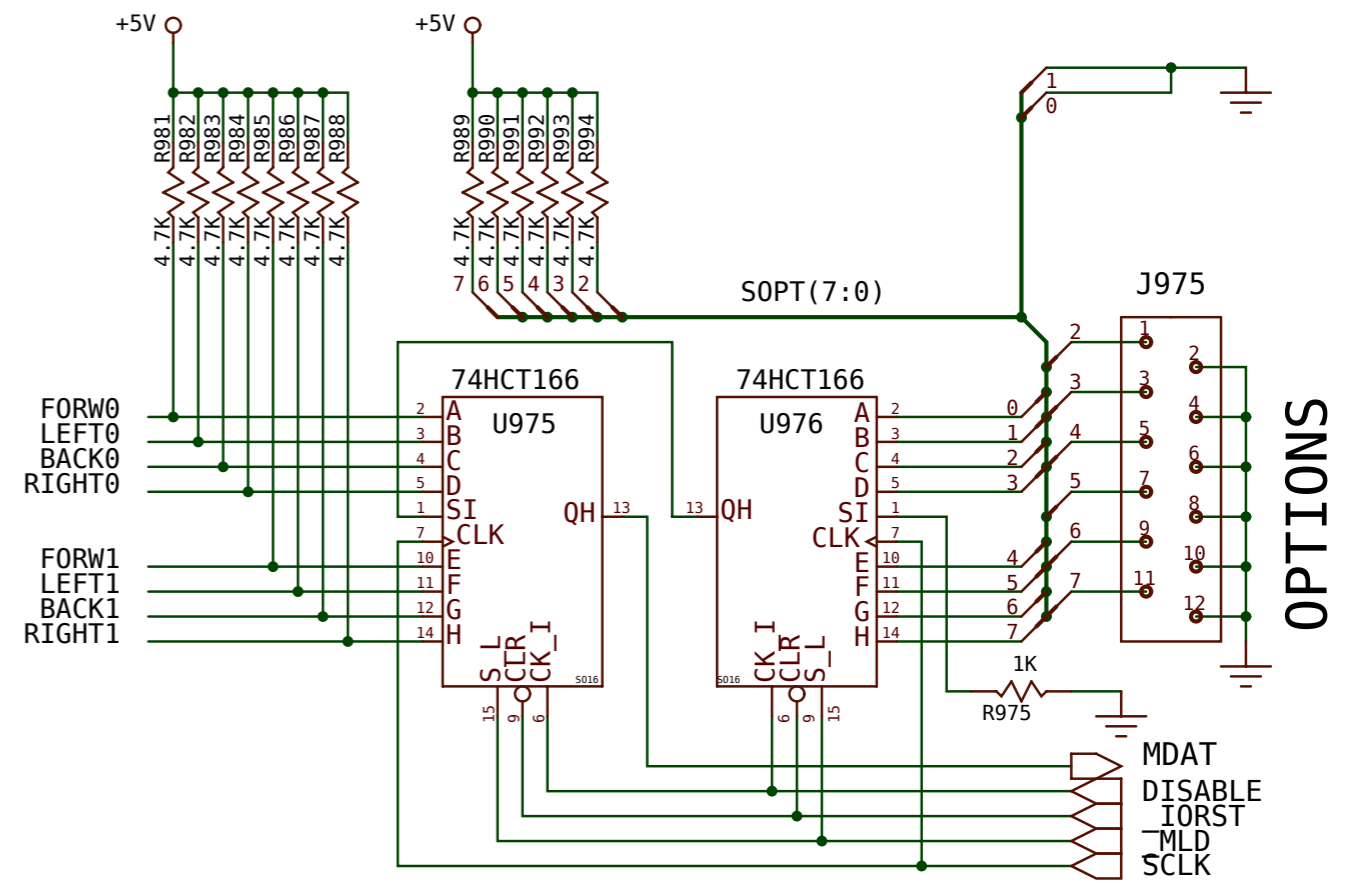
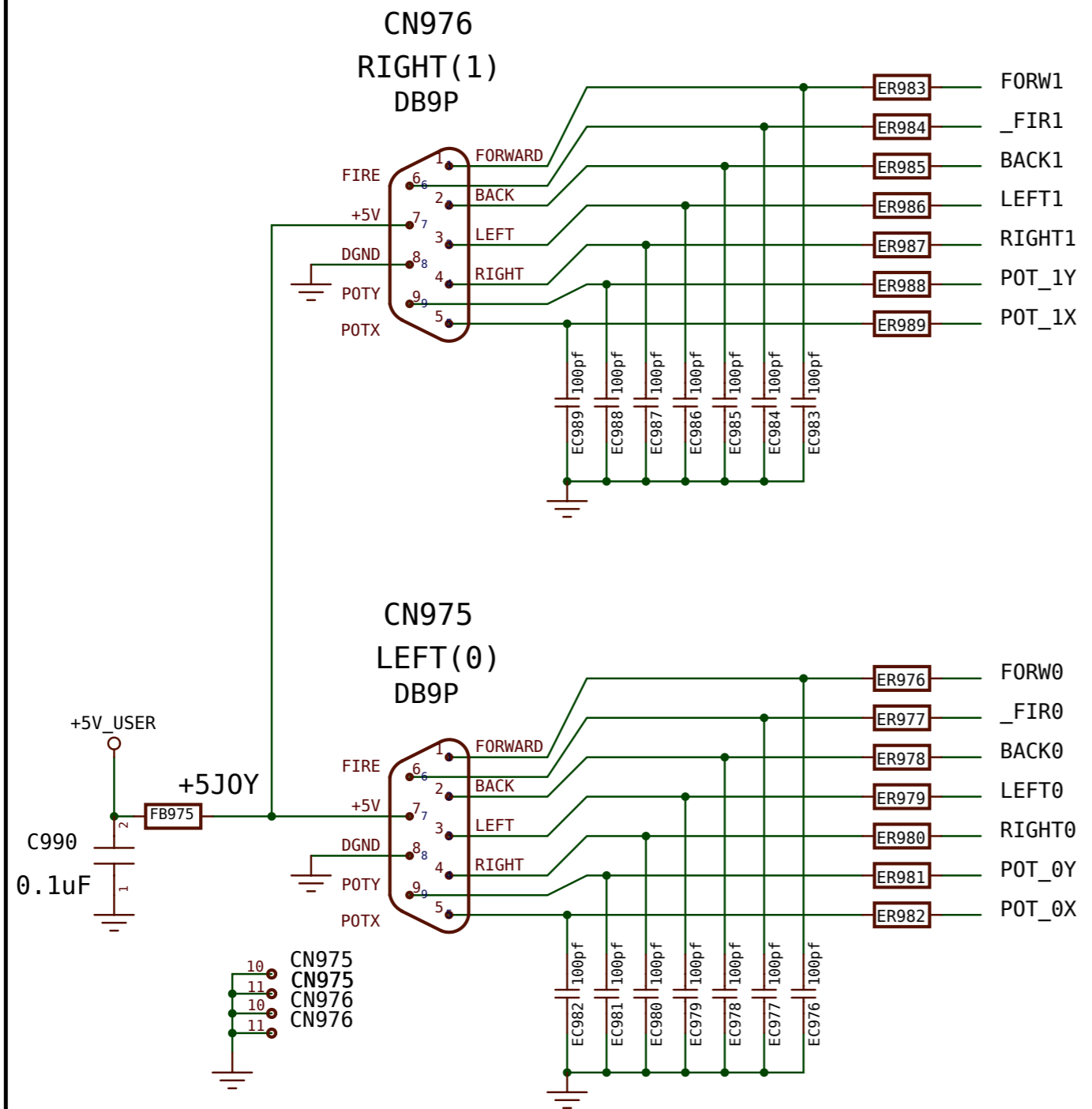
© 1990 COMMODORE BUSINESS MACHINES  
 Information contained herein is the unpublished, confidential and trade secret property of Commodore Business Machines, Inc. Any use, reproduction or disclosure of this information without the prior written permission of Commodore is strictly prohibited.

C.A.D. Generated  
 No manual changes may be made to this document

UNLESS OTHERWISE SPECIFIED		DRAWN BY: AUGI	DATE: 3/30/92	Commodore SCHEMATIC A4000
0.X 0.XX 0.XXX		CHKD:	ENGR: JEA	
± ± ± ±		APPR:		
MATERIAL:	USED ON: A4000	NEXT ASSY: XXXXXX	SIZE: C	REV: B
FINISH:			SCALE: NONE	SHEET: 16 OF 17
PATH: /project/aa1000/pcb_rev7 harddisk				900-949

Rev. 1.37 (02-09-2012)





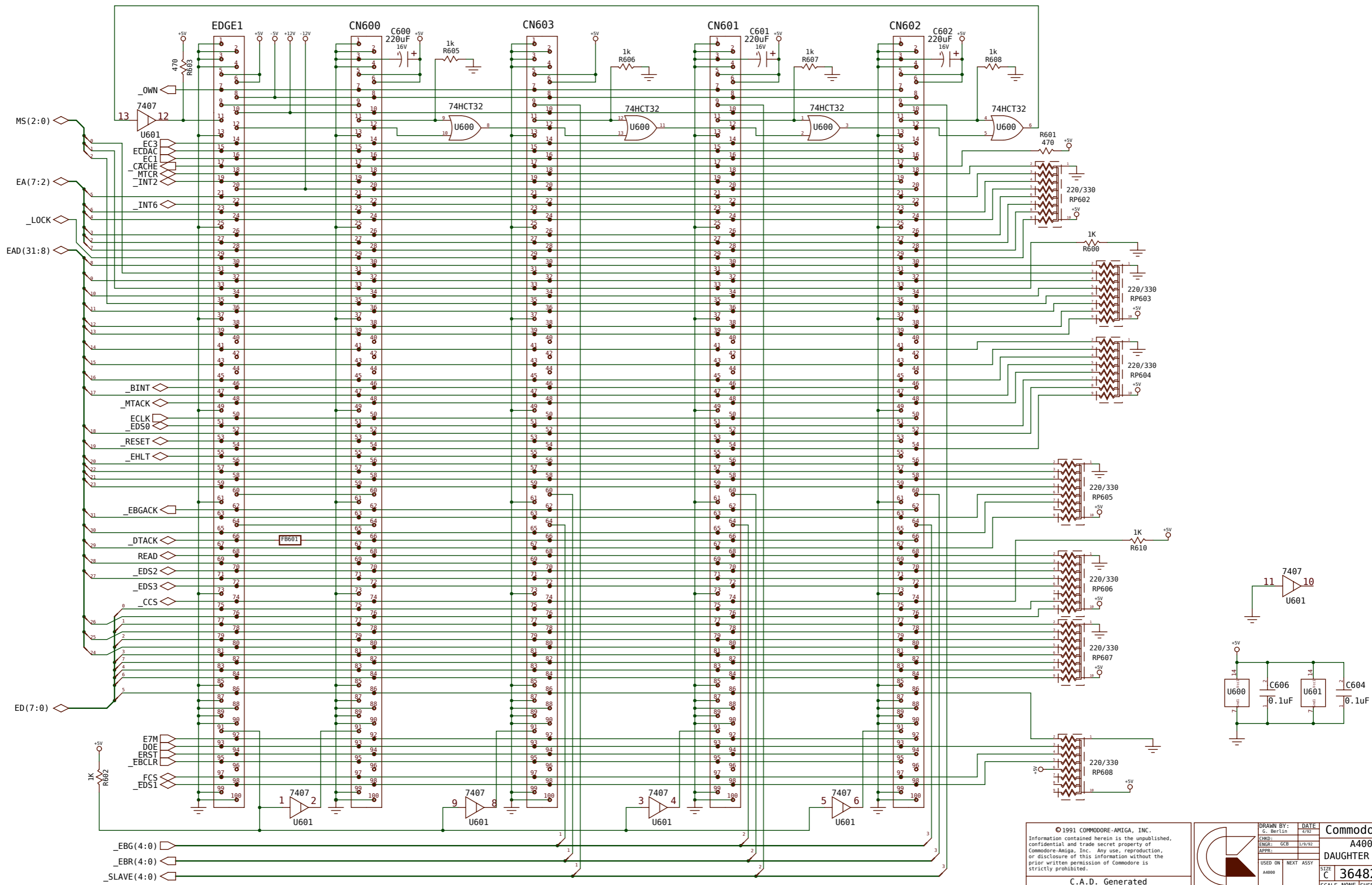
Mouse & Joystick connectors

© 1990 COMMODORE BUSINESS MACHINES  
 Information contained herein is the unpublished, confidential and trade secret property of Commodore Business Machines, Inc. Any use, reproduction or disclosure of this information without the prior written permission of Commodore is strictly prohibited.

C.A.D. Generated  
 No manual changes may be made to this document

UNLESS OTHERWISE SPECIFIED		DRAWN BY: GREG BERLIN	DATE: 3/30/92	Commodore SCHEMATIC A4000
0.X 0.XX 0.XXX		CHKD:		
± ± ± ±		ENGR: GCB	APPR:	
MATERIAL:		USED ON: A4000	NEXT ASSY:	SIZE: C
FINISH:				364836
				SCALE: NONE SHEET 17 OF 17

PATH: /project/aa1000/pcb\_rev? joysticks

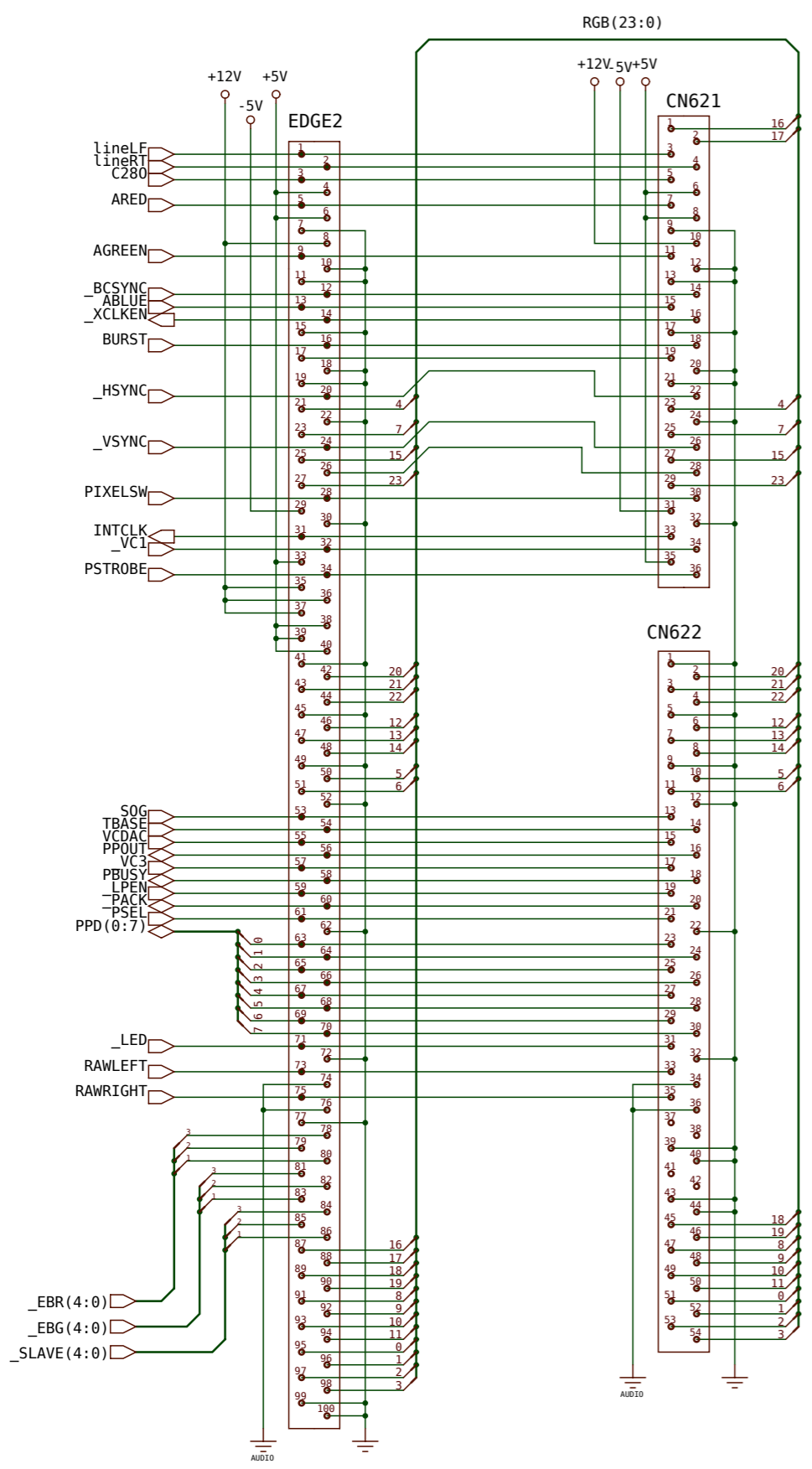


© 1991 COMODORE-AMIGA, INC.  
 Information contained herein is the unpublished, confidential and trade secret property of Commodore-Amiga, Inc. Any use, reproduction, or disclosure of this information without the prior written permission of Commodore is strictly prohibited.

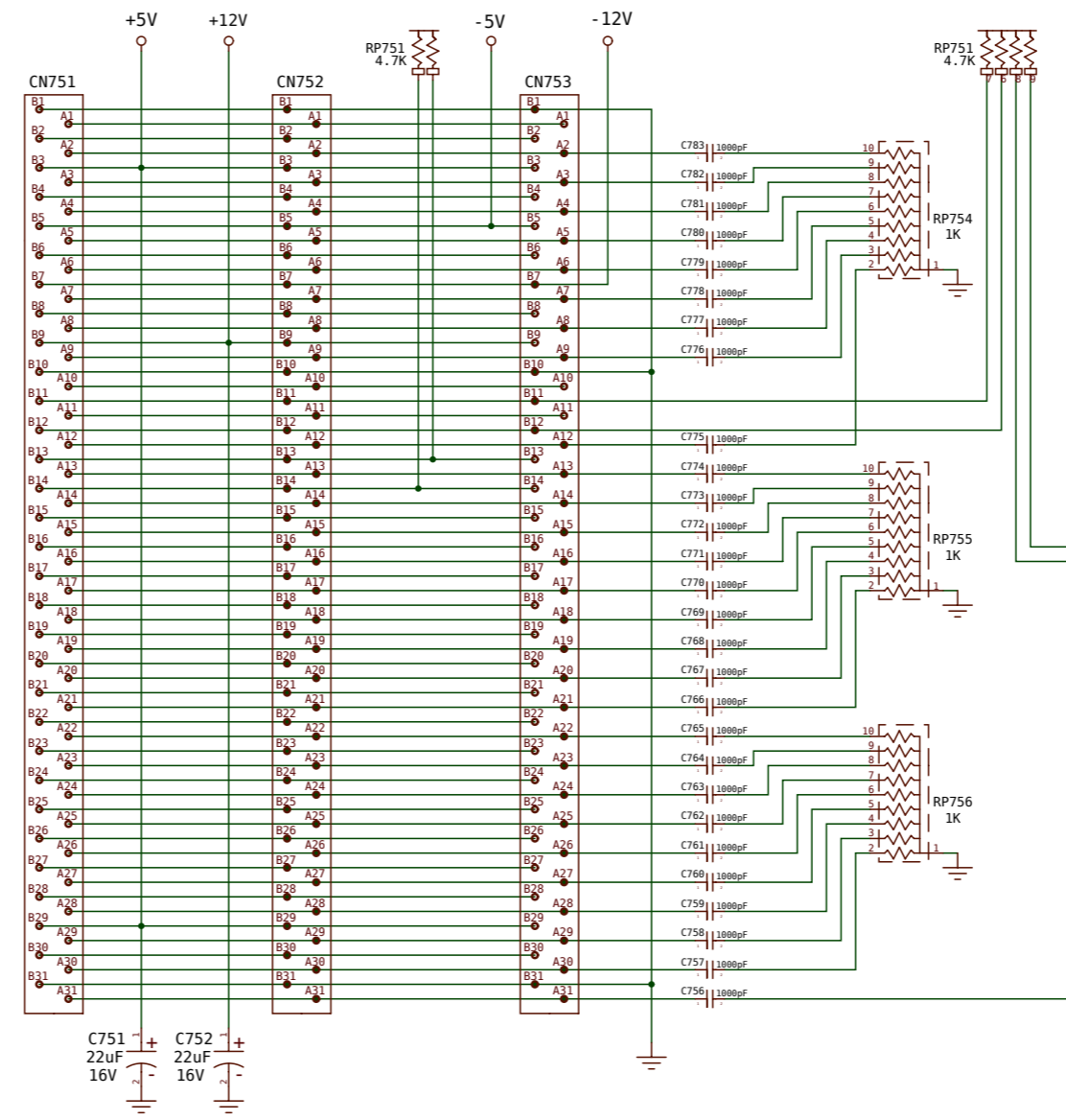
C.A.D. Generated  
 No manual changes may be made to this document

DRAWN BY: G. Berlin	DATE: 4/92	Comodore	
CHECKED: ENGR: GCB	DATE: 1/9/92	A4000	
APPROVED:		DAUGHTER CARD	
USED ON:	NEXT ASSY:	SIZE: C	364821
A4000		SCALE:	NONE
PATH: /project/aa1000/daughter_rev7 sheet1		SHEET:	1 OF 2

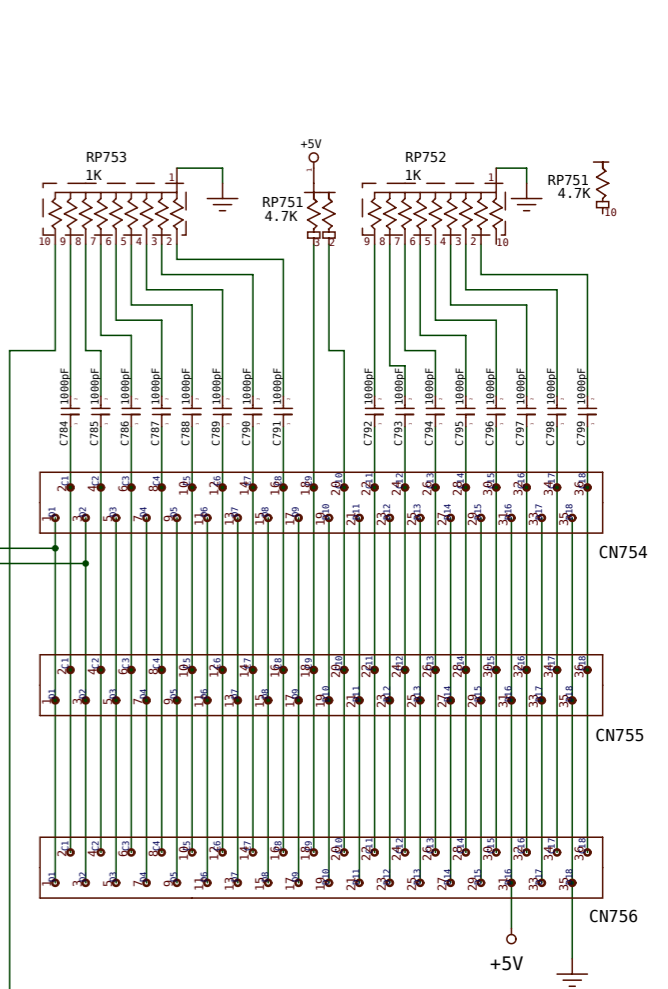
Rev 1.37 (02.09.2012)



### IBM 8 BIT SLOTS



### IBM 16 BIT EXTENSION SLOTS



© 1991 COMMODORE AMIGA, INC. Information contained herein is the unpublished, confidential and trade secret property of Commodore-Amiga, Inc. Any use, reproduction, or disclosure of this information without the prior written permission of Commodore is strictly prohibited.		DRAWN BY: G. Berlin CHECKED: ENGR: GCB APPR: USED ON NEXT ASSY: 44000	DATE: 4/92 <b>Commodore</b> <b>A4000</b> <b>DAUGHTER CARD</b> SIZE: C 364821 SCALE: NONE SHEET 2 OF 2
C.A.D. Generated No manual changes may be made to this document		PATH: /project/ai1000/daughter_rev7_sheet2	

Rev. 1.17 (02-09-2011)