

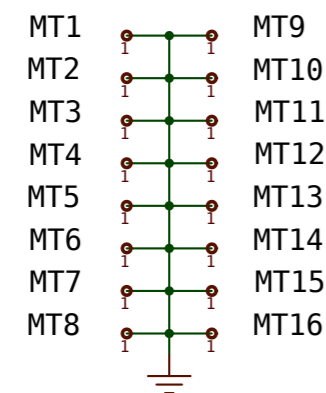
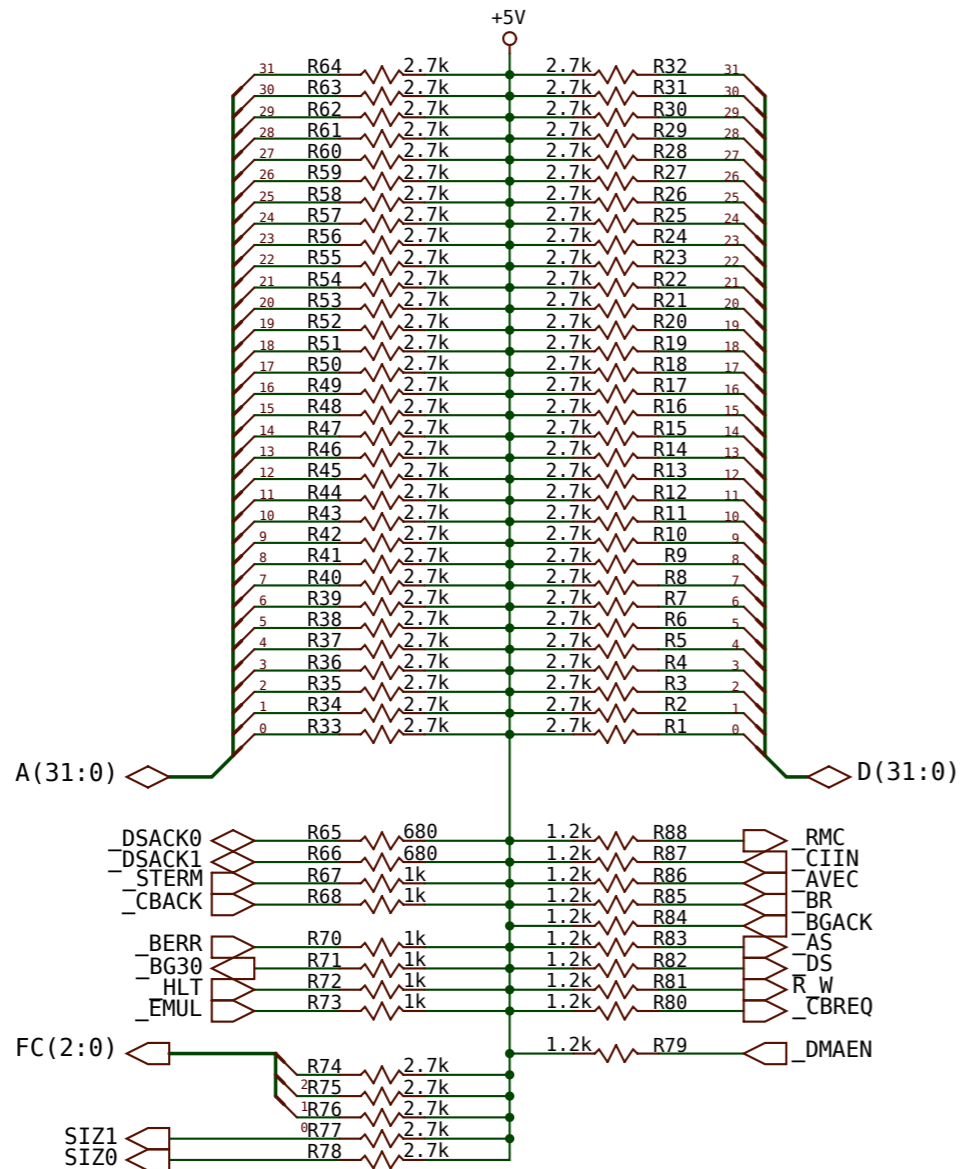
Amiga

A4000T_R4

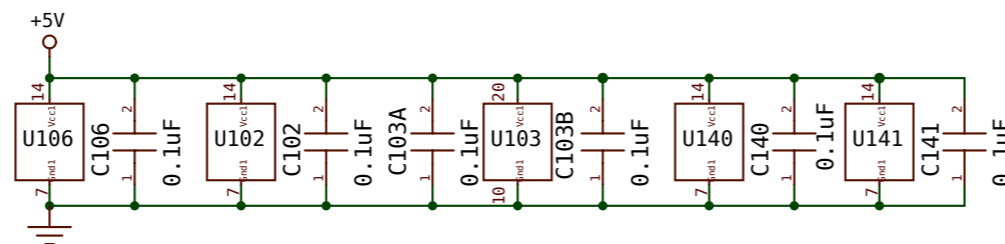
Rev.1.37 (02.09.2012)



www.amigawiki.org

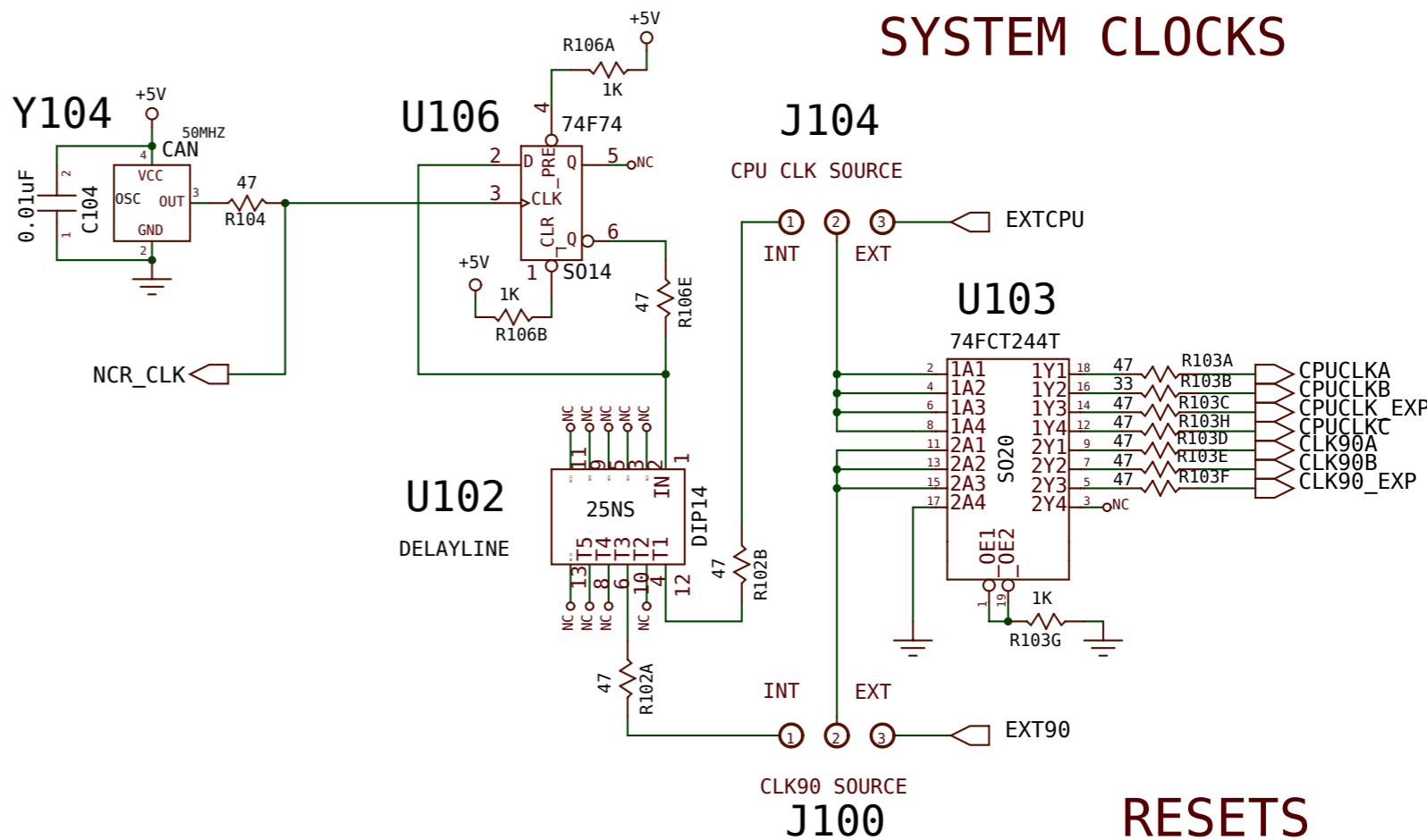


PCB MOUNTING HOLES



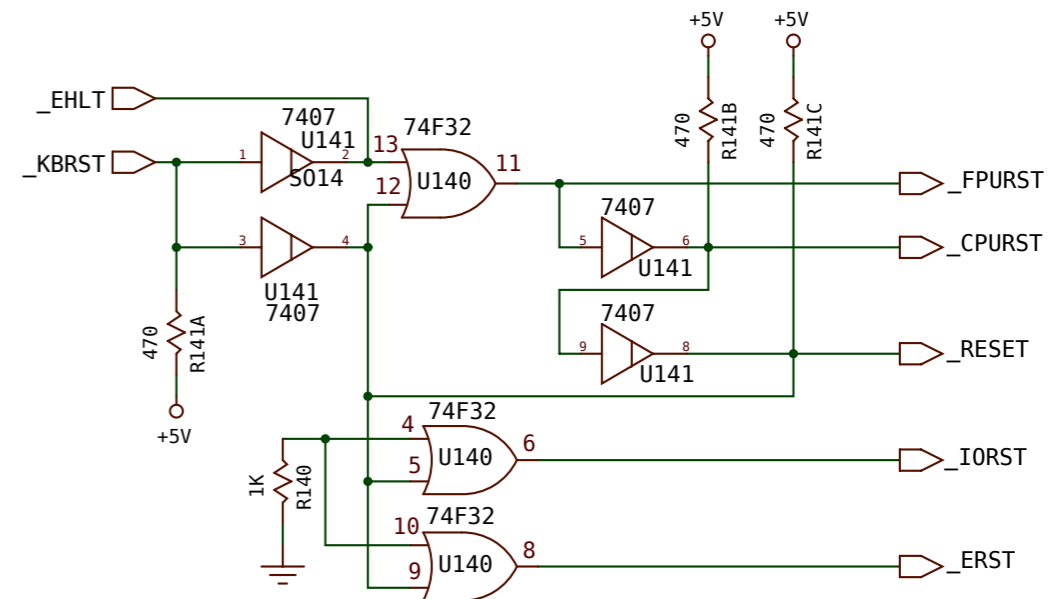
DECOUPLING

lend U141-sub to scsi
lend U141-sub to harddisk
lend U106-sub to gary



SYSTEM CLOCKS

RESETS



100-149

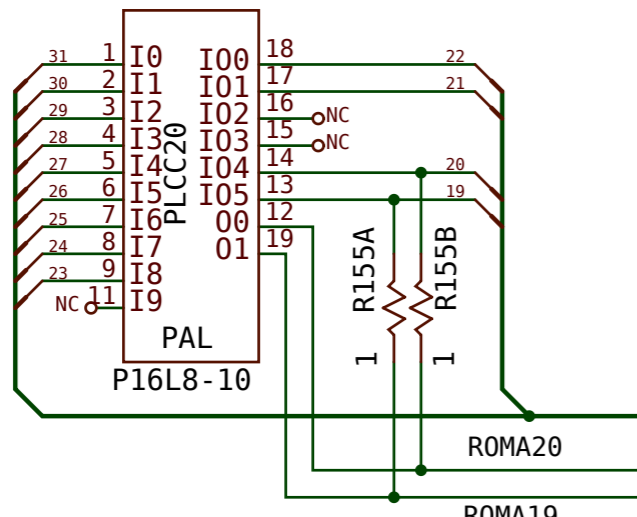
CLOCKS

© 1990 COMMODORE BUSINESS MACHINES
Information contained herein is the unpublished, confidential and trade secret property of Commodore Business Machines, Inc. Any use, reproduction or disclosure of this information without the prior written permission of Commodore is strictly prohibited.
C.A.D. Generated
No manual changes may be made to this document

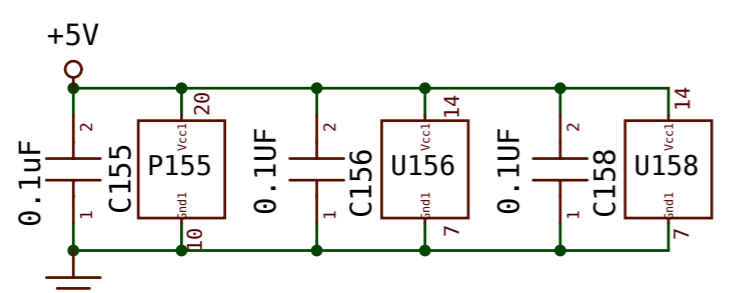
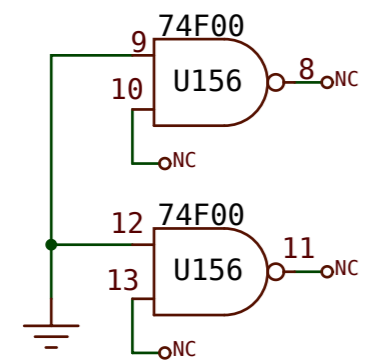
	DRAWN BY: PAUL LASSA	DATE: 11/10/92	Commodore	
	CHKD: PAL	ENGR: PAL	06/11/93	SCHEMATIC
	APPR:			A4000T
	REFERENCE GROUP		SIZE: C	365149
	USED ON: A4000T	NEXT ASSY: 365150	SCALE: NONE	SHEET: 2 OF 16
PATH: /project/aa4t/pcb? clocks				

We hope you will enjoy the show...

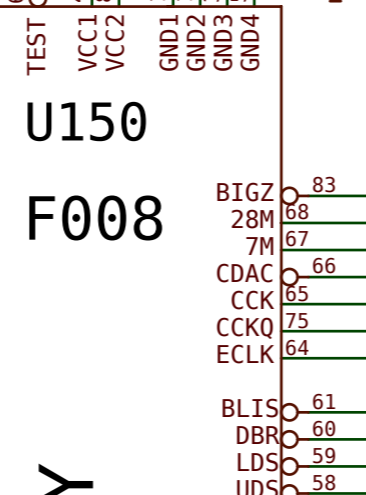
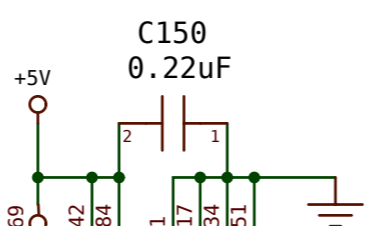
BIGROM P155



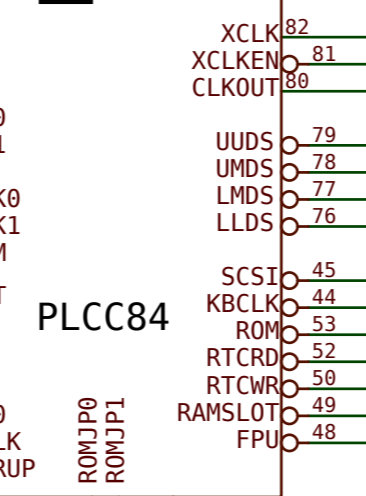
Note: Only stuff R155A,B if P155 PAL is not installed.



lend U158-sub to paula
borrow U215-sub from alice
borrow U106-sub from clocks



FAT GARY

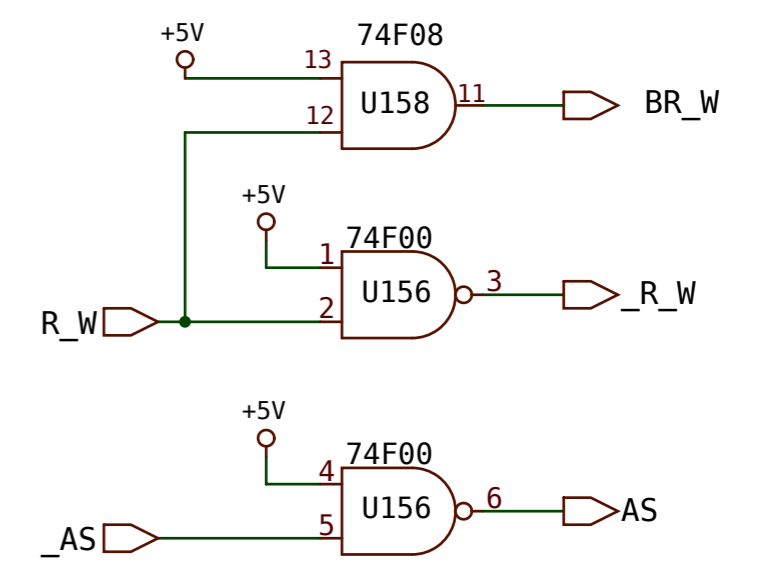


FPU DECODE

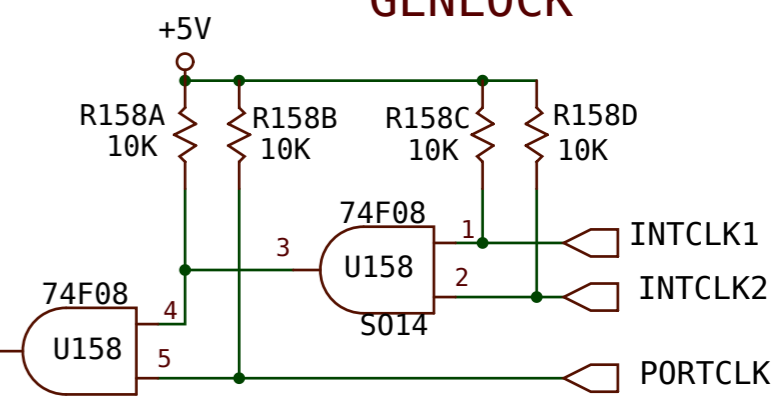
150-159

© 1990 COMMODORE BUSINESS MACHINES
Information contained herein is the unpublished, confidential and trade secret property of Commodore Business Machines, Inc. Any use, reproduction or disclosure of this information without the prior written permission of Commodore is strictly prohibited.
C.A.D. Generated
No manual changes may be made to this document

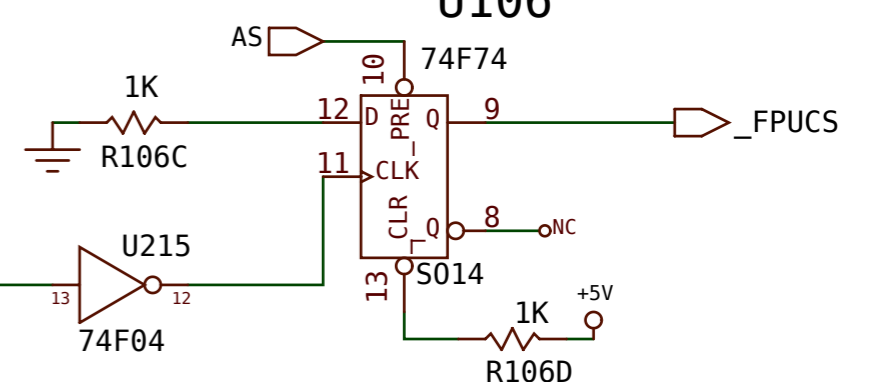
	DRAWN BY: PAUL LASSA	DATE: 11/10/92	Commodore SCHEMATIC A4000T
	CHKD:		
	ENGR: PAL	06/01/93	
	APPR:		
REFERENCE GROUP			SIZE: C
USED ON: A4000T	NEXT ASSY: 365150	SCALE: NONE	REV: C
PATH: /project/aa4t/pcb? gary			SHEET 3 OF 16



GENLOCK



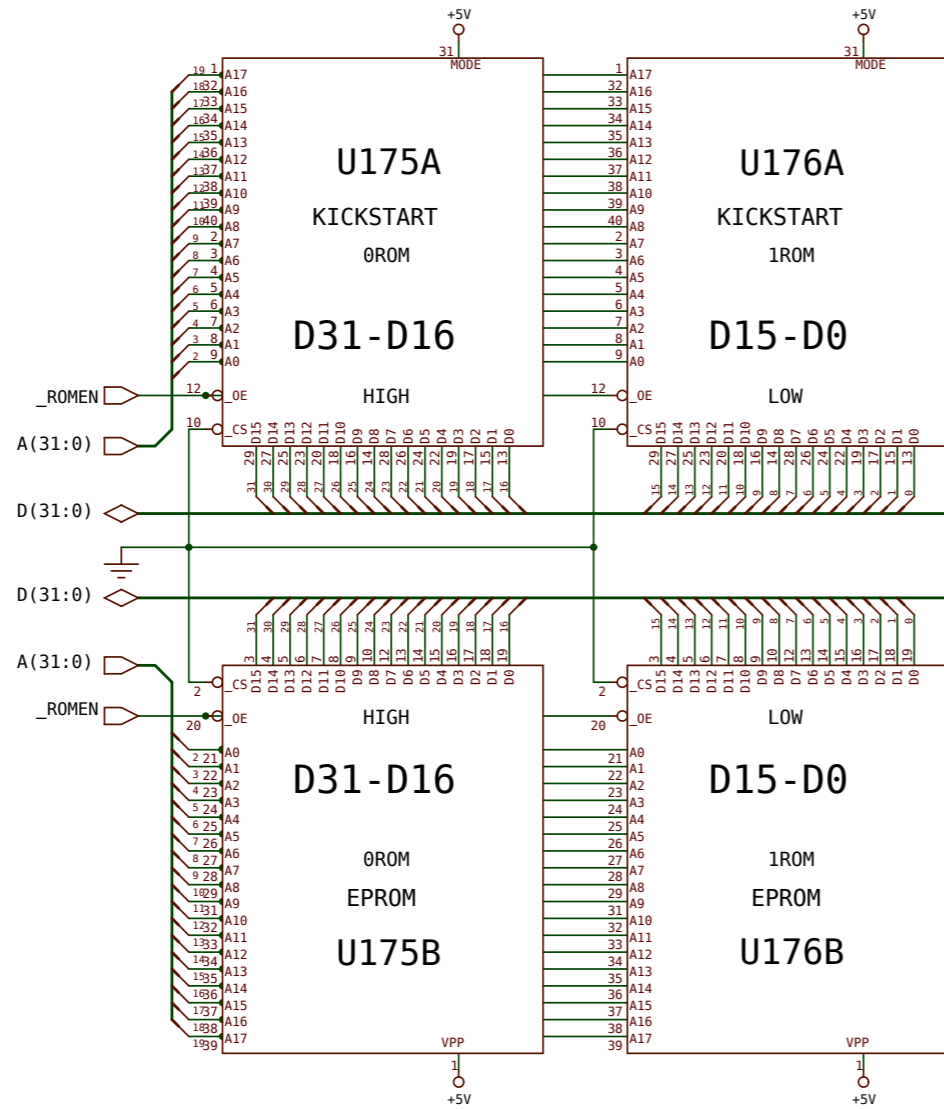
U106



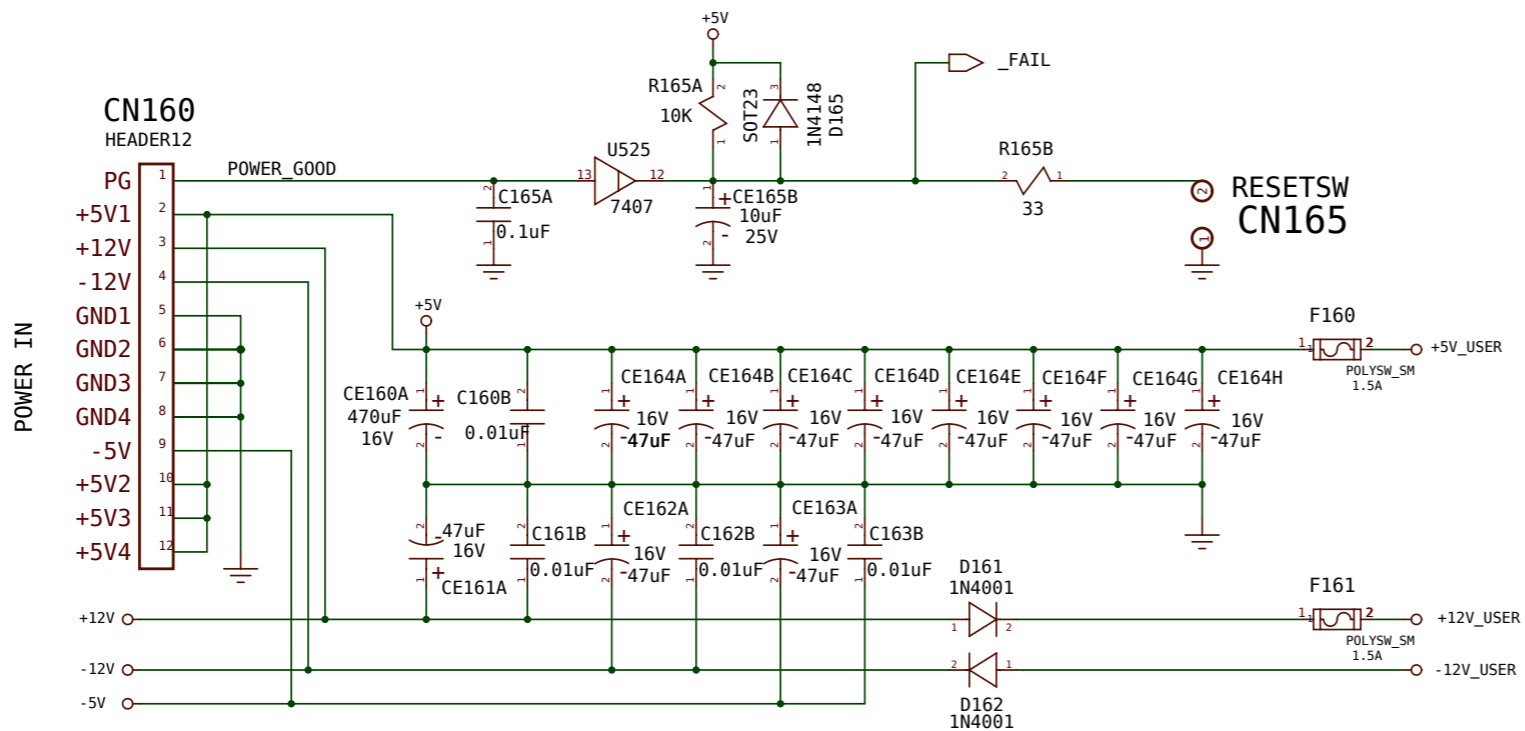
Fat Gary

Rev. 1.37 (02.09.2012)

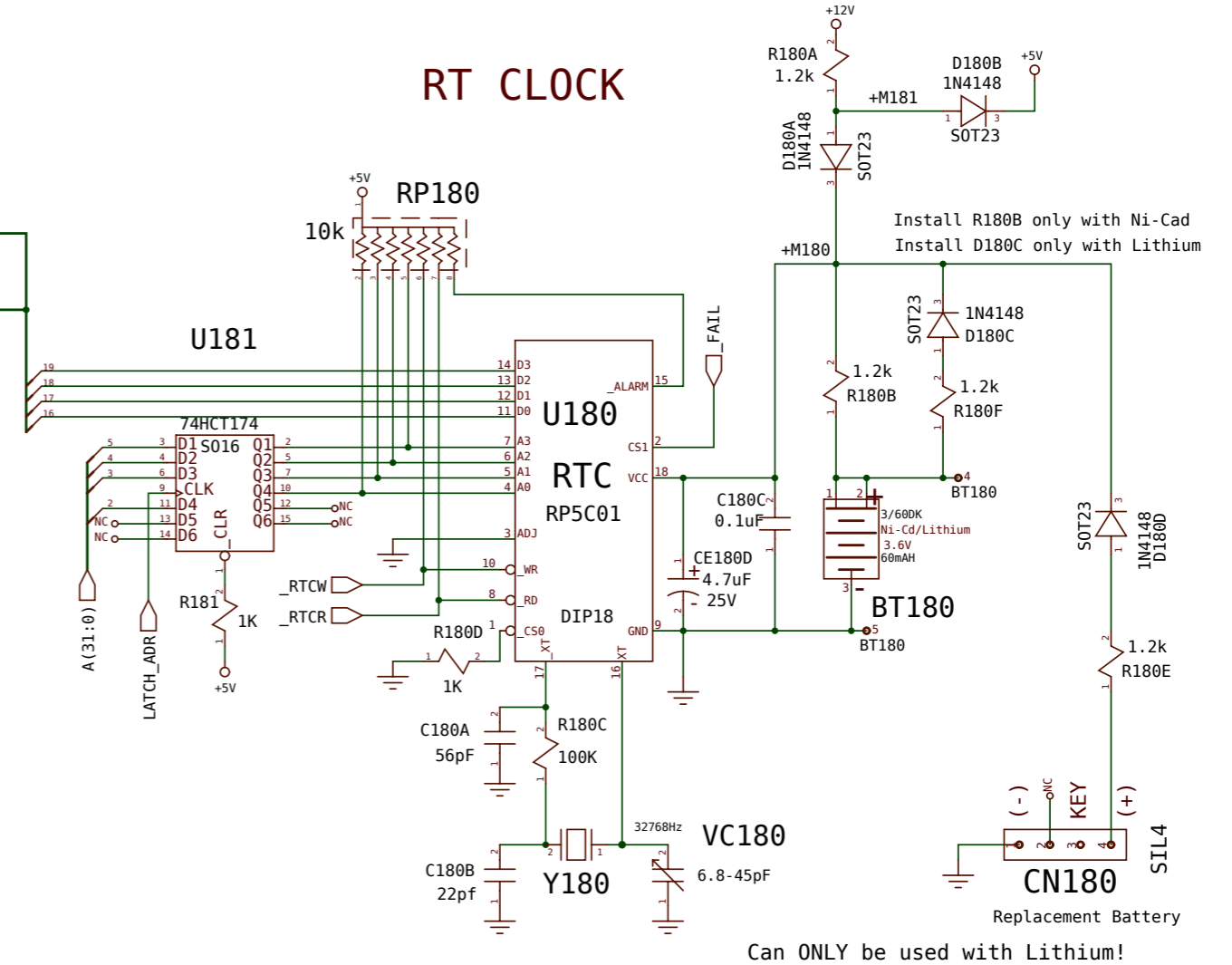
SYSTEM ROMS (27C400)



SYSTEM EPROMS (27C220)



RT CLOCK




160-199

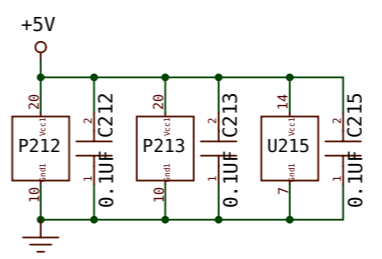
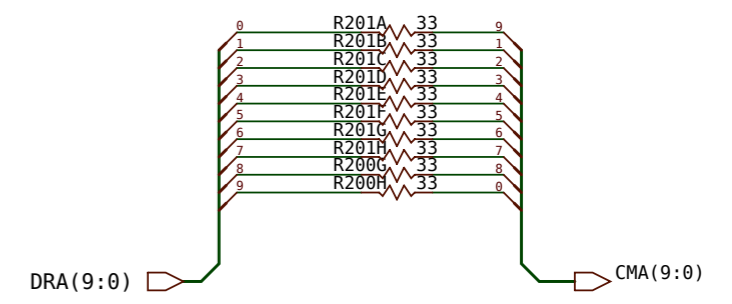
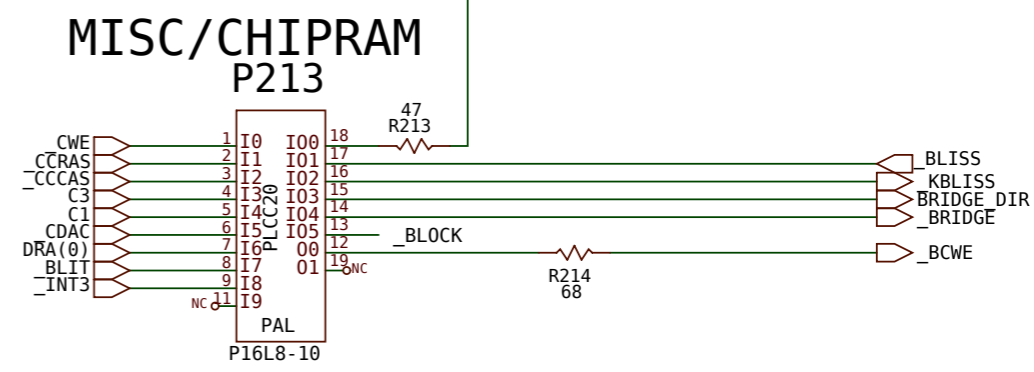
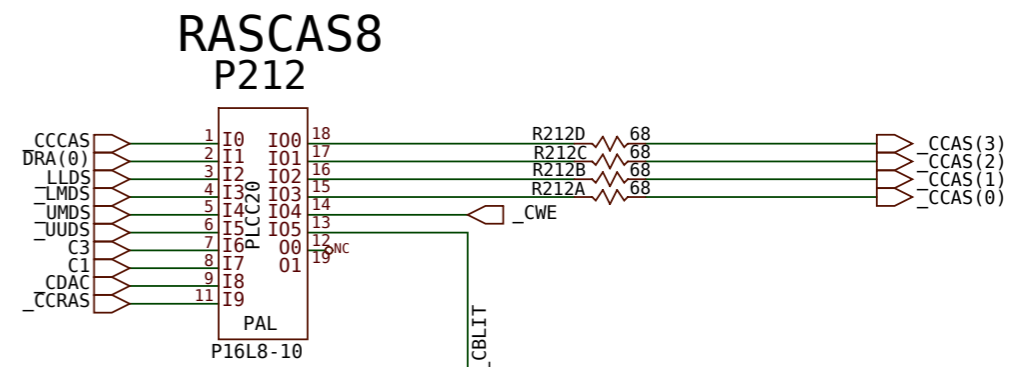
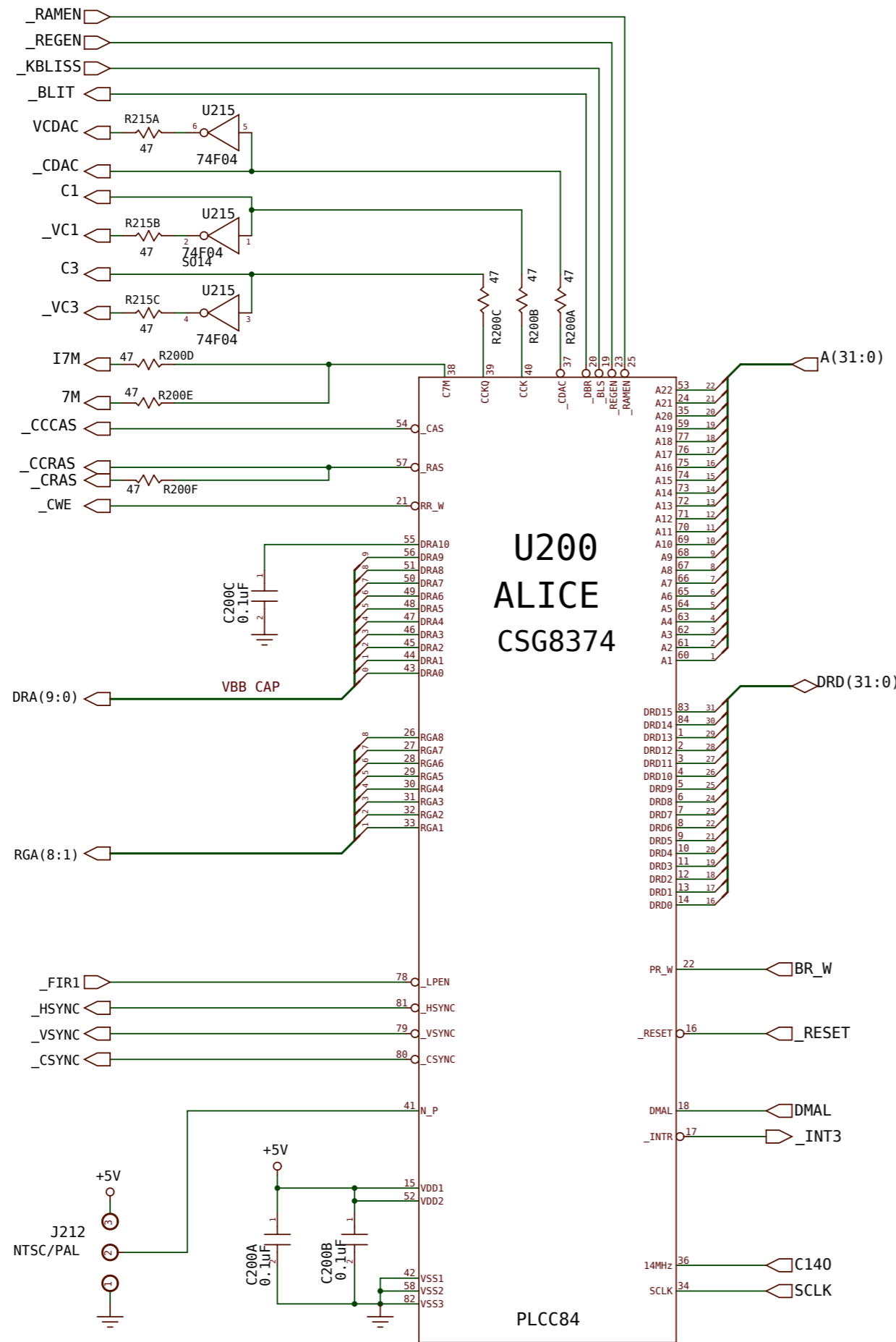
ROMs, RTC, Power-in

© 1990 COMMODORE BUSINESS MACHINES
Information contained herein is the unpublished, confidential and trade secret property of Commodore Business Machines, Inc. Any use, reproduction or disclosure of this information without the prior written permission of Commodore is strictly prohibited.

C.A.D. Generated
No manual changes may be made to this document

	DRAWN BY: PAUL LASSA CHKD: PAL ENGR: PAL APPR: REFERENCE GROUP: USED ON: A4000T NEXT ASSY: 365150	DATE: 11/18/92 DATE: 06/11/93 DATE: DATE:	Commodore SCHEMATIC A4000T SIZE: C SCALE: NONE SHEET: 4 OF 16
---	---	--	--

Rev. 1.37 (02.09.2012)



lend U215-sub to gary
 lend U215-sub to paula
 lend U215-sub to buster

200-249

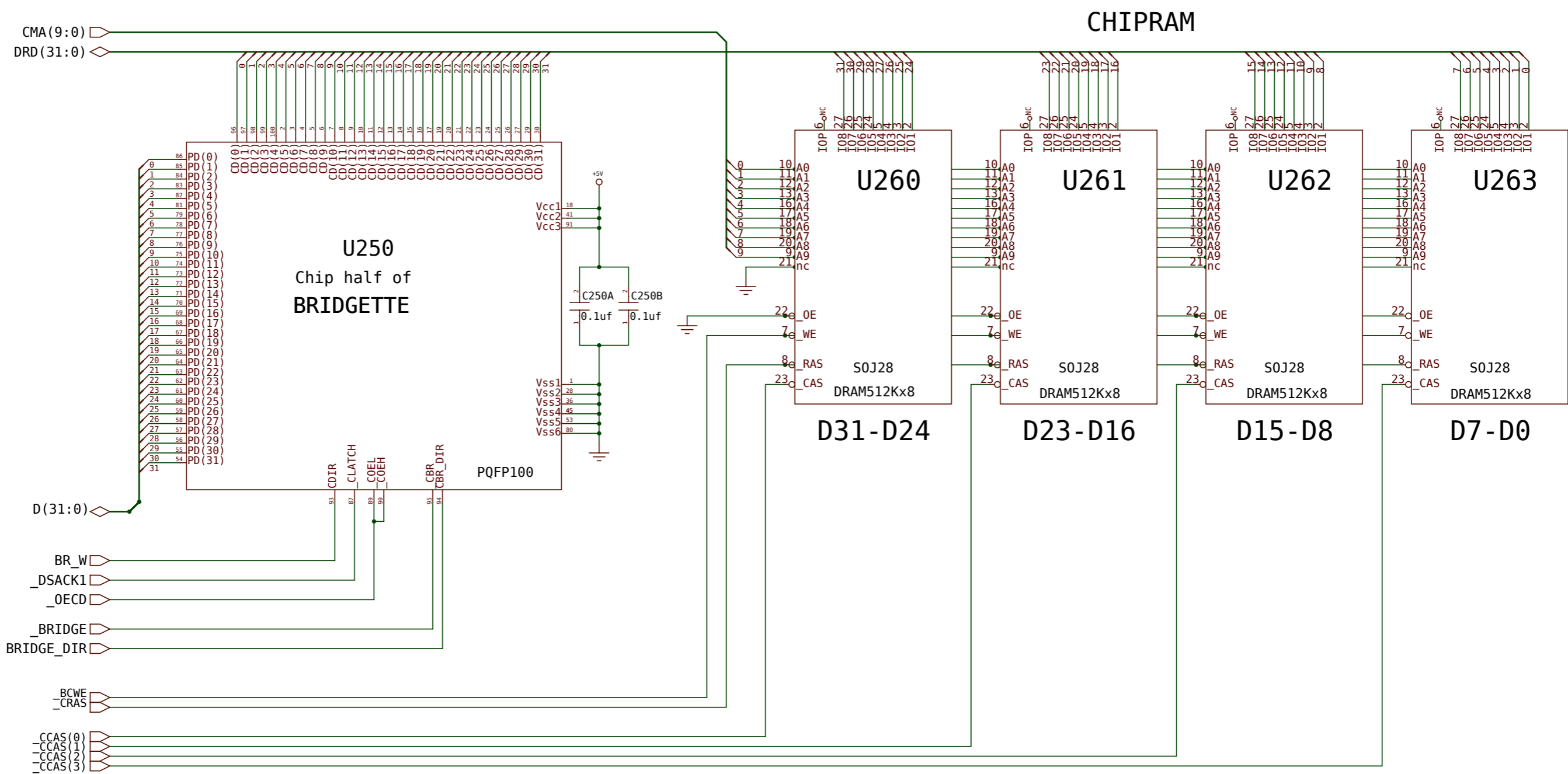
Alice

© 1992 COMMODORE-AMIGA, INC.
 Information contained herein is the unpublished, confidential and trade secret property of Commodore-Amiga, Inc. Any use, reproduction, or disclosure of this information without the prior written permission of Commodore is strictly prohibited.
 C.A.D. Generated
 No manual changes may be made to this document

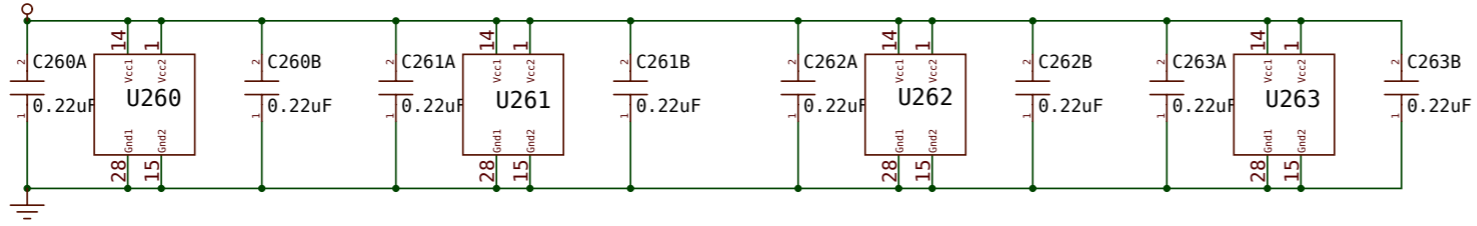
DRAWN BY: PAUL LASSA	DATE	11/18/92	Commodore
	CHKD:	06/11/93	
ENGR:	APPR:		A4000T
REFERENCE GROUP			SIZE
USED ON	NEXT ASSY	SCALE	365149
A4000T	365150	NONE	REV C
PATH: /project/aa4t/pcb7/alice			SHEET 5 OF 16

Take me to the river, Drop me in the water...

Rev. 1.37 (02-09-2012)



DRAM DECOUPLING



250-299

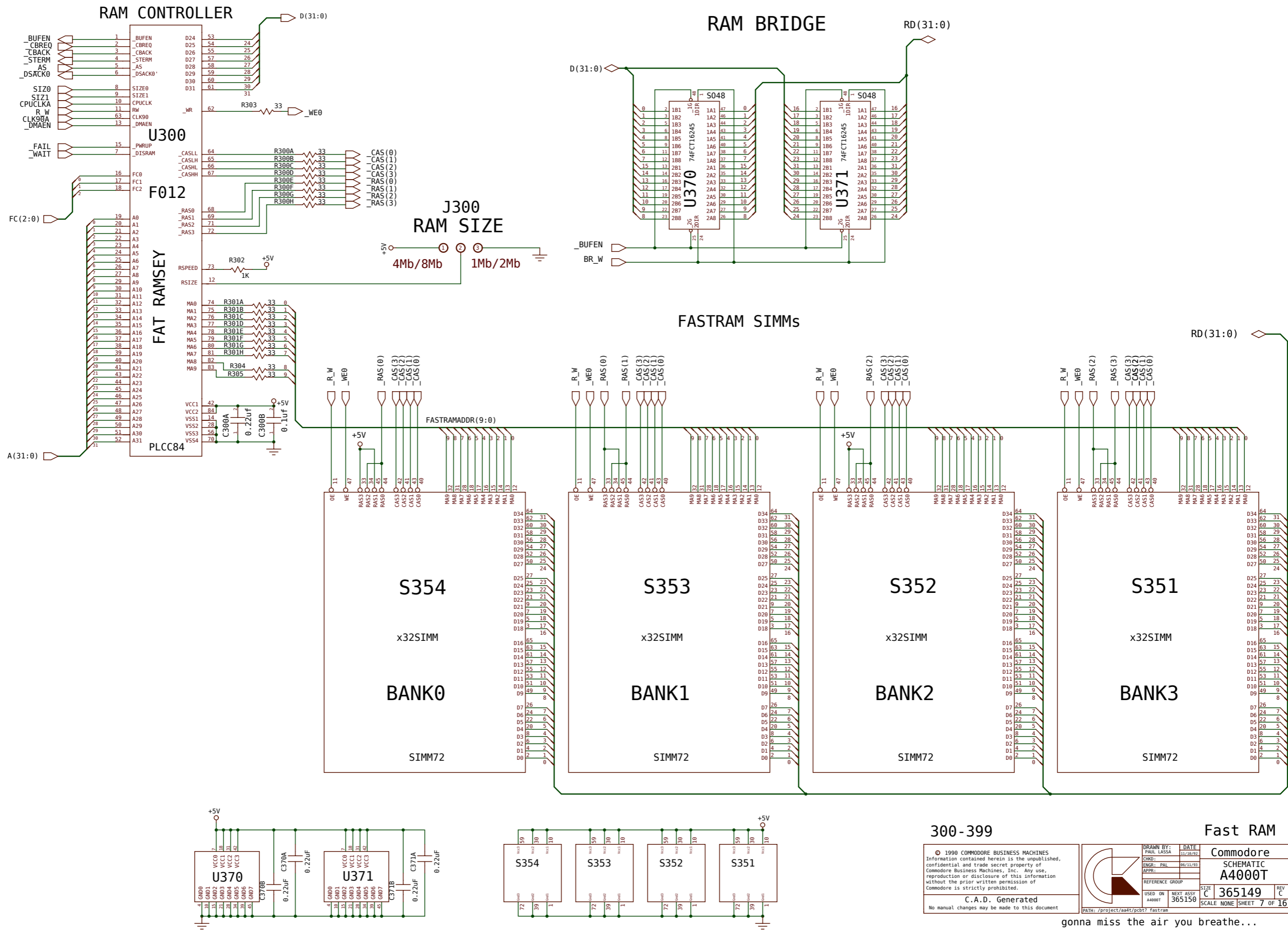
Chip RAM

© 1990 COMMODORE BUSINESS MACHINES
 Information contained herein is the unpublished, confidential and trade secret property of Commodore Business Machines, Inc. Any use, reproduction or disclosure of this information without the prior written permission of Commodore is strictly prohibited.
 C.A.D. Generated
 No manual changes may be made to this document

DRAWN BY: PAUL LASSA	DATE	Commodore	
	11/18/92	SCHEMATIC	
CHKD:	ENGR: PAL	A4000T	
APPR:		SIZE	REV
REFERENCE GROUP		C	365149
USED ON	NEXT ASSY	SCALE	SHEET 6 OF 16
A4000T	365150	NONE	
PATH: /project/aa4t/pcb1? chipram			

Constant change is here to stay...

Rev. 1.37 (02/09/2012)



300-399 Fast RAM

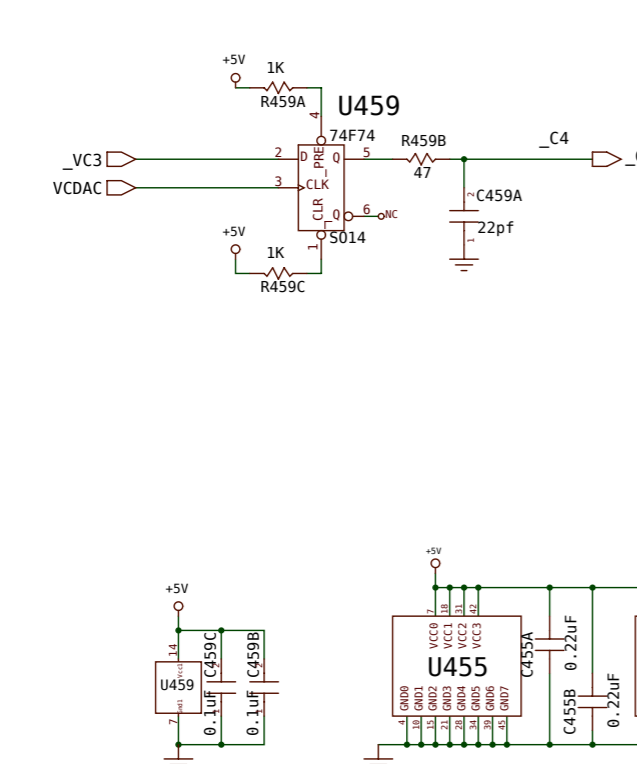
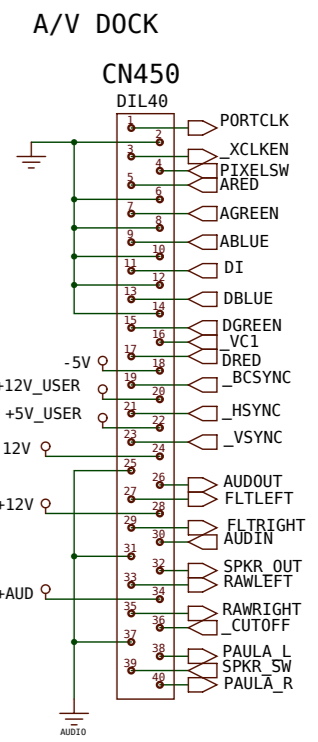
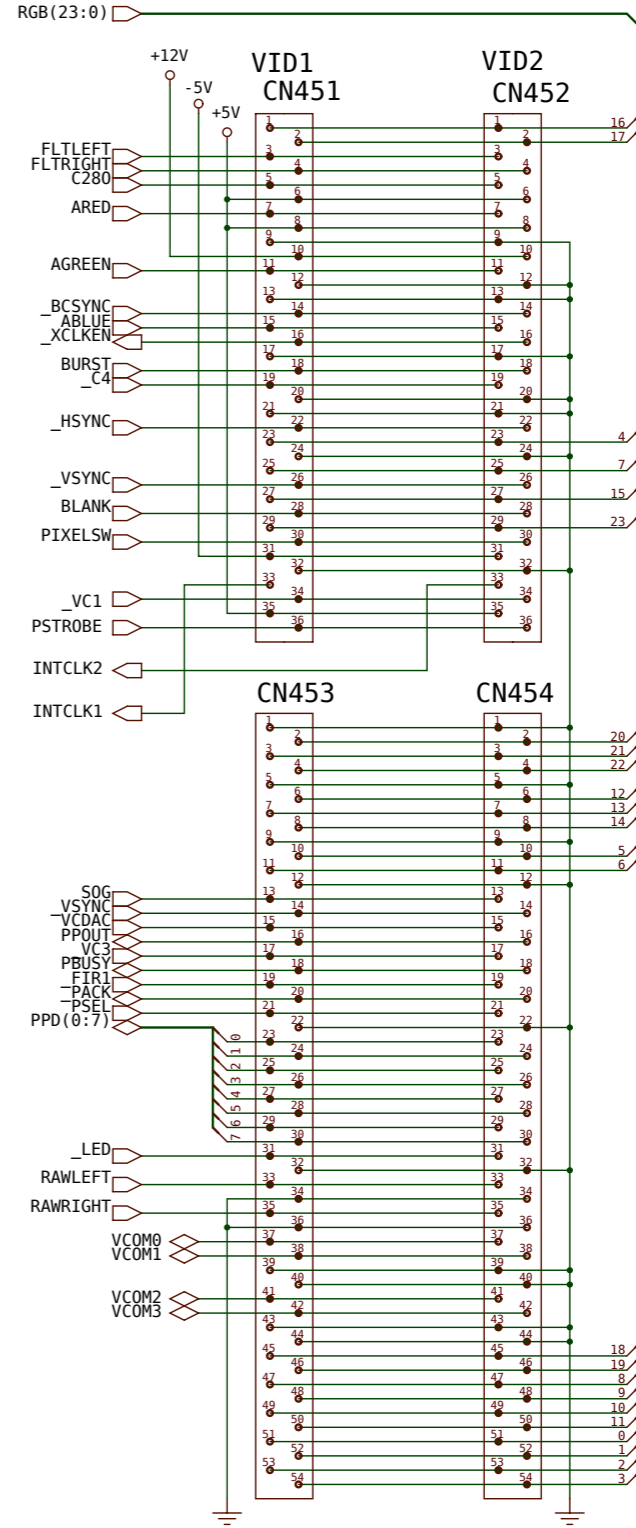
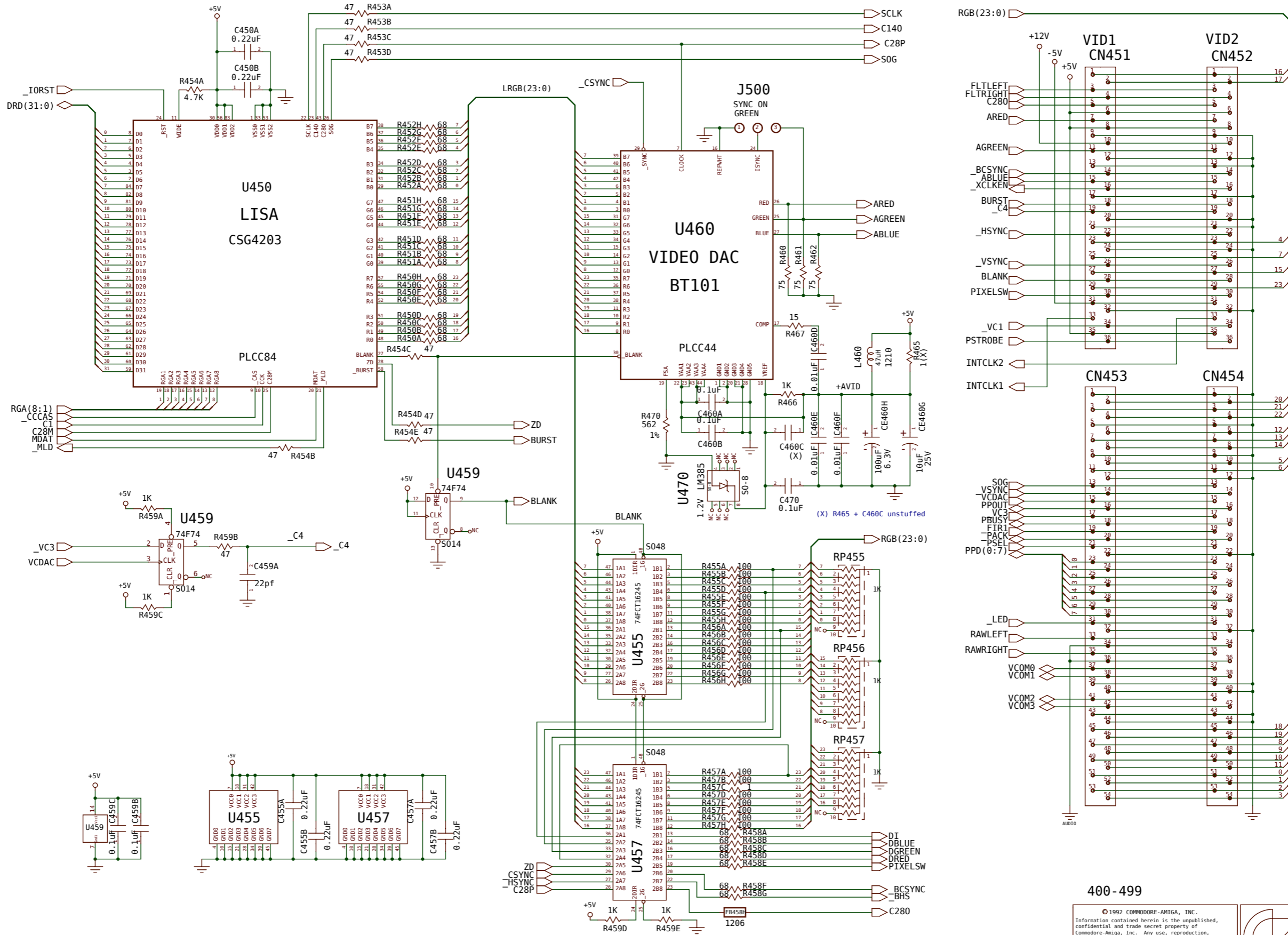
© 1990 COMMODORE BUSINESS MACHINES Information contained herein is the unpublished, confidential and trade secret property of Commodore Business Machines, Inc. Any use, reproduction or disclosure of this information without the prior written permission of Commodore is strictly prohibited.		DRAWN BY: PAUL LASSA DATE: 11/20/92 CHKD: PAL ENGR: PAL APPR: PAL 06/11/93	Commodore SCHEMATIC A4000T
REFERENCE GROUP USED ON: A4000T NEXT ASSY: 365150	SIZE: C SCALE: NONE SHEET: 7 OF 16	REV: C	365149

C.A.D. Generated
No manual changes may be made to this document

PATH: /project/a401/pcb1/ Fastram

gonna miss the air you breathe...

Rev: 1.37 (02-09-2012)



400-499

© 1992 COMMODORE-AMIGA, INC.
Information contained herein is the unpublished, confidential and trade secret property of Commodore-Amiga, Inc. Any use, reproduction, or disclosure of this information without the prior written permission of Commodore is strictly prohibited.

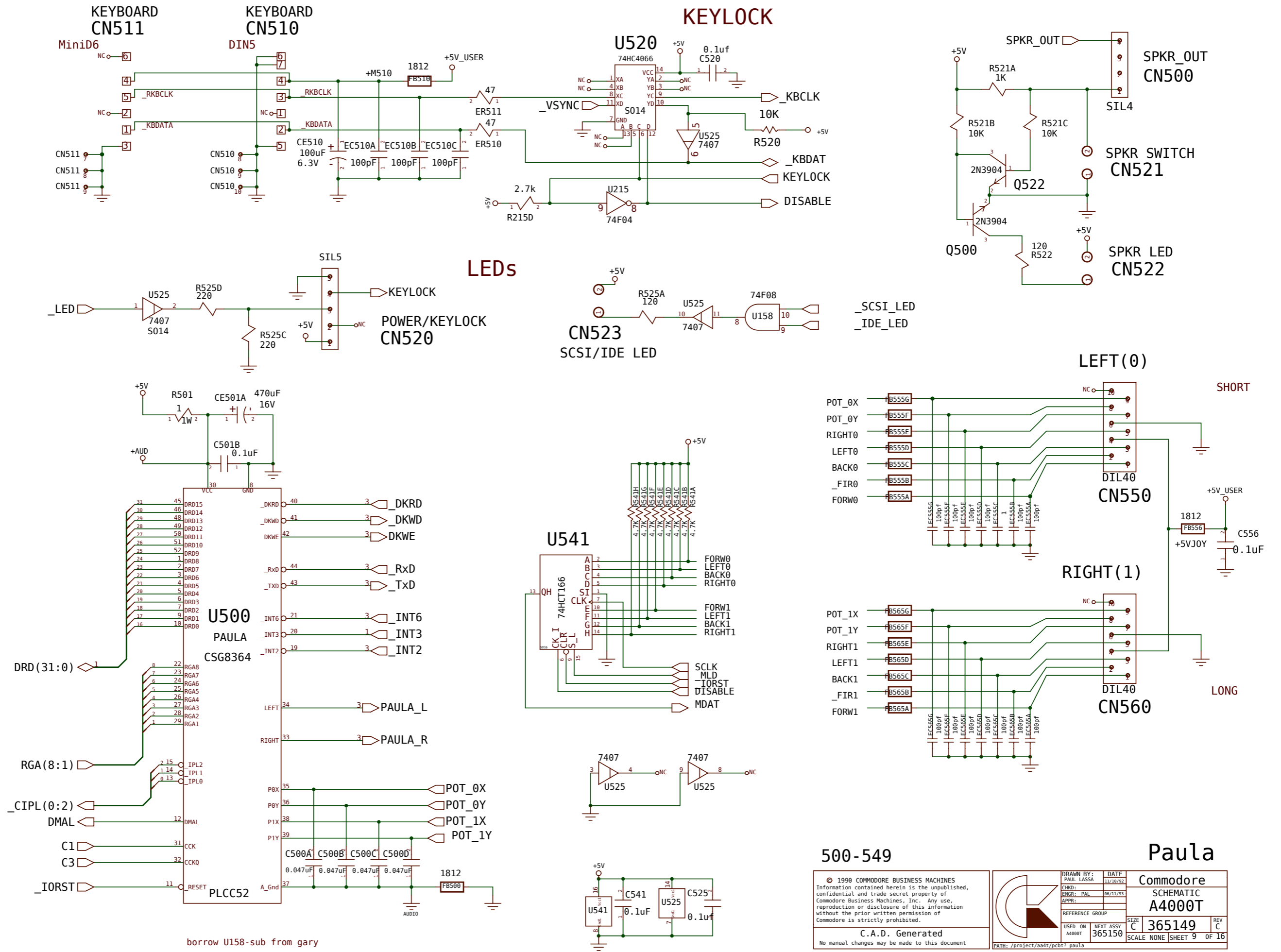
C.A.D. Generated
No manual changes may be made to this document

Lisa
Commodore
SCHEMATIC
A4000T

DRAWN BY: PAUL LASSA	DATE: 11/28/82
ENGR: PAL	06/01/83
APPR: PAL	
REFERENCE GROUP	
USED ON NEXT ASSY: 365150	SCALE NONE SHEET 8 OF 16

PATH: /project/am47/gb07 Lisa

What's going on?



borrow U158-sub from gary
 borrow U215-sub from alice

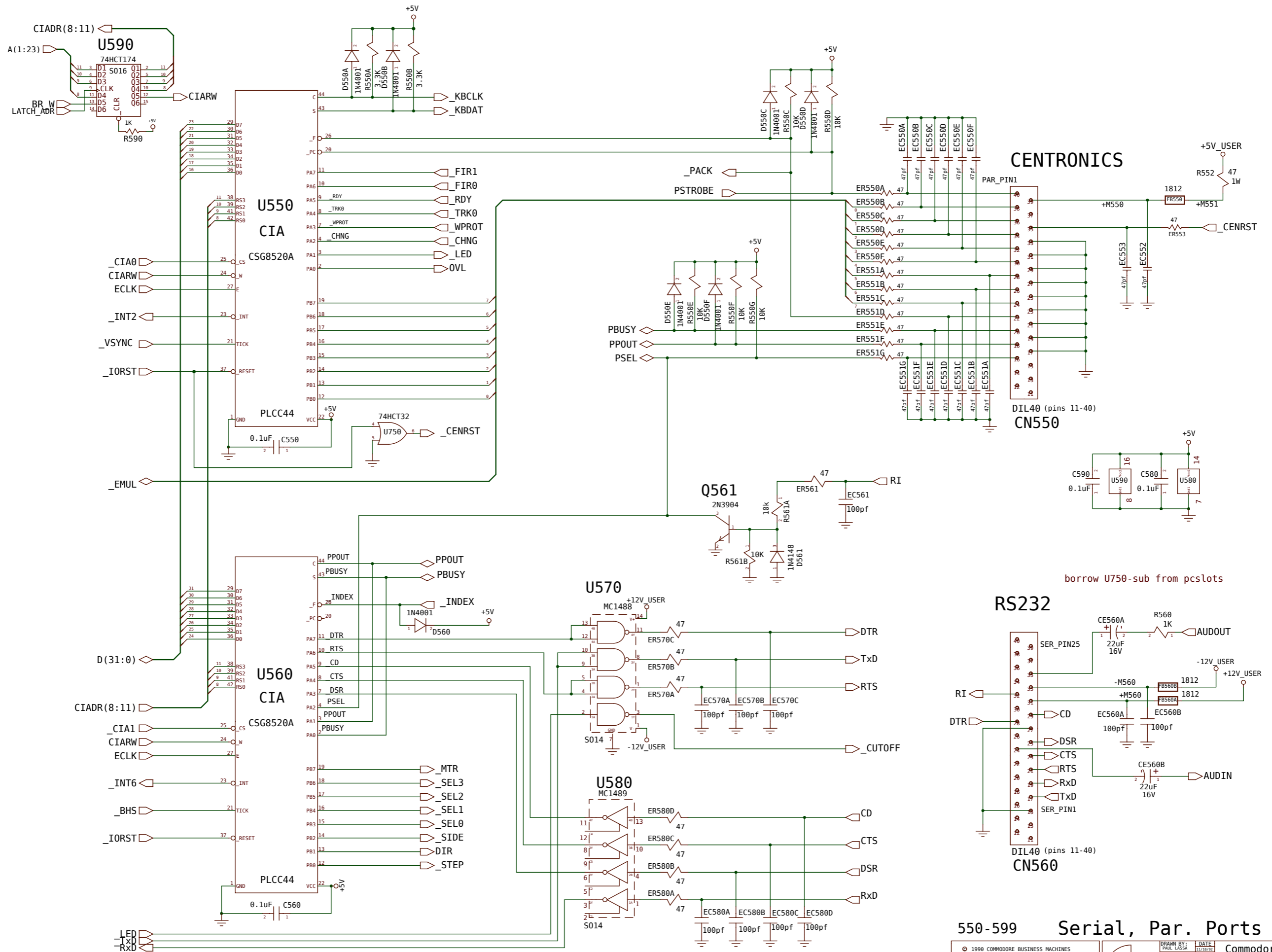
500-549

Paula

© 1990 COMMODORE BUSINESS MACHINES Information contained herein is the unpublished, confidential and trade secret property of Commodore Business Machines, Inc. Any use, reproduction or disclosure of this information without the prior written permission of Commodore is strictly prohibited.		DRAWN BY: PAUL LASA DATE: 11/18/92 CHKD: ENGR: PAL APPR: 06/11/93 REFERENCE GROUP		Comodore SCHEMATIC A4000T	
C.A.D. Generated No manual changes may be made to this document		USED ON: A4000T	NEXT ASSY: 365150	SIZE: C	365149
		SCALE: NONE		SHEET 9 OF 16	

PATH: /project/aa4t/pcbt? paula

Rev: 1.37 (02/09/2012)



borrow U750-sub from pcslots

550-599 Serial, Par. Ports

© 1990 COMMODORE BUSINESS MACHINES
 Information contained herein is the unpublished, confidential and trade secret property of Commodore Business Machines, Inc. Any use, reproduction or disclosure of this information without the prior written permission of Commodore is strictly prohibited.

DRAWN BY: PAUL LASSA
 CHECKED: PAUL LASSA
 APPR: PAUL LASSA
 DATE: 11/28/92
 DATE: 01/27/93

REFERENCE GROUP: NONE

USED ON: 4400T
 NEXT ASSY: 365150

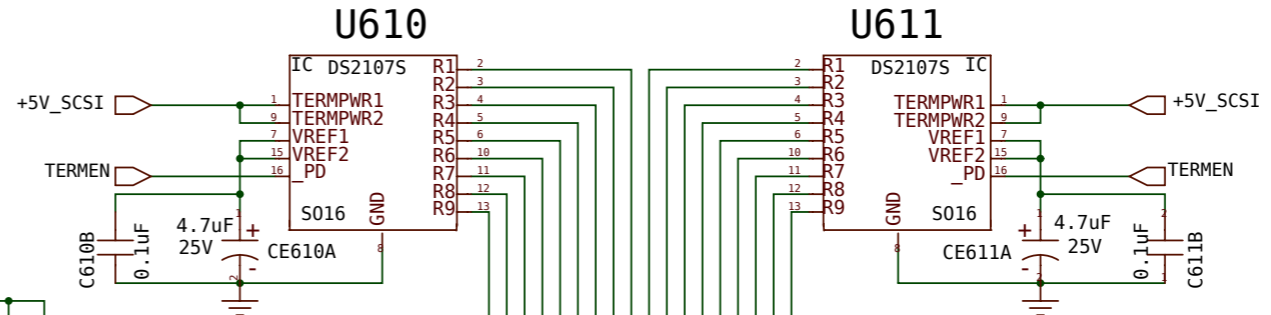
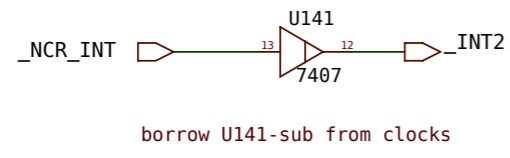
C.A.D. Generated
 No manual changes may be made to this document

Commodore
 SCHEMATIC
A4000T
 SIZE C
 365149
 SCALE NONE SHEET 10 OF 16

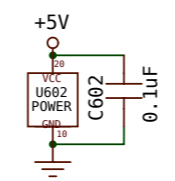
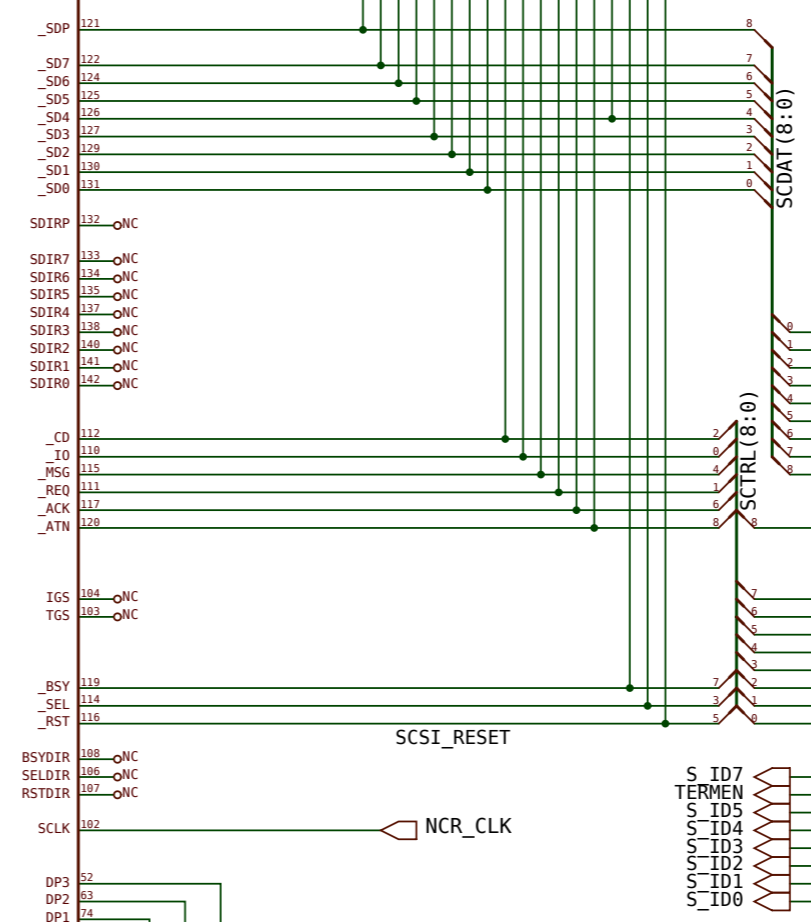
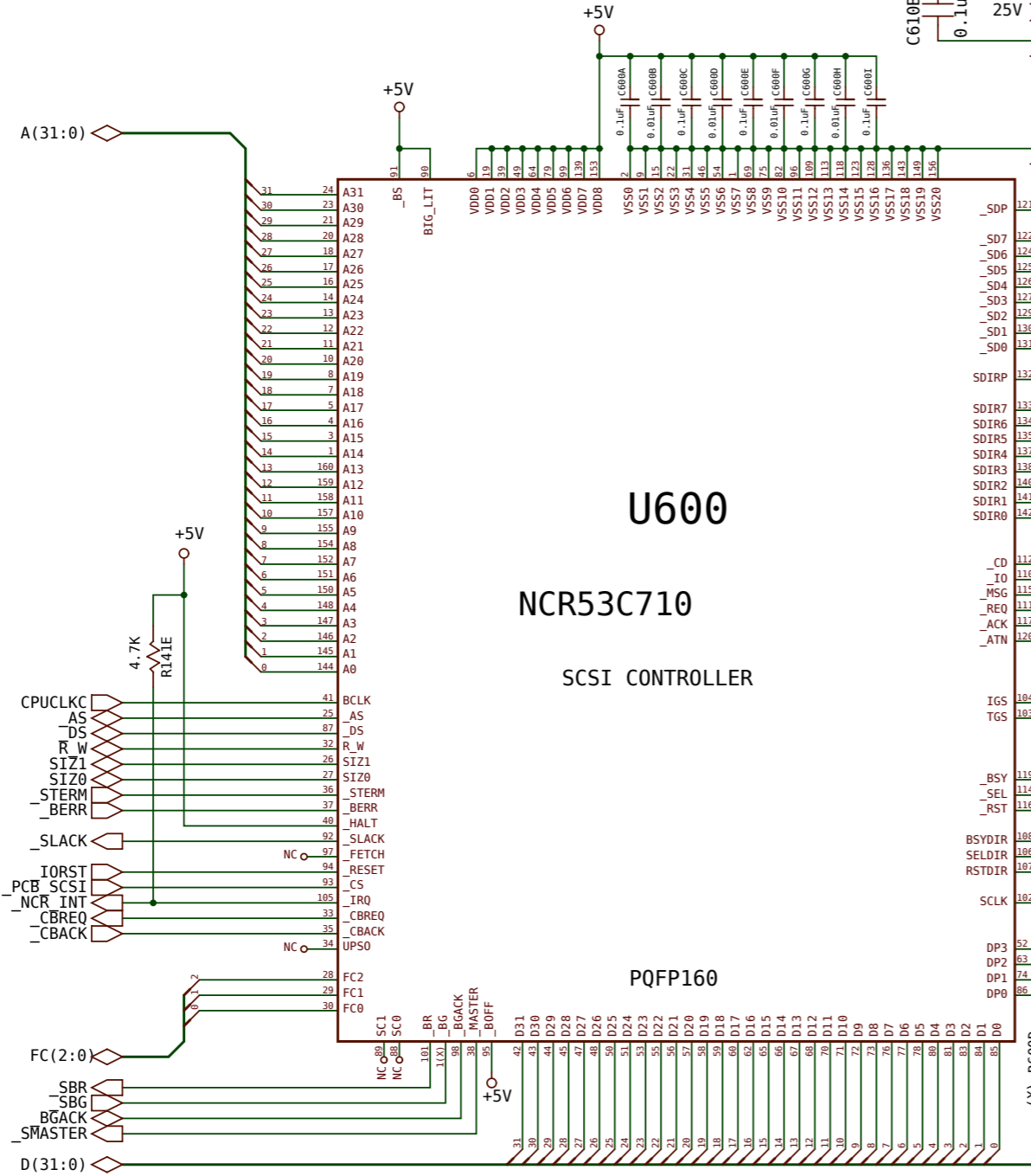
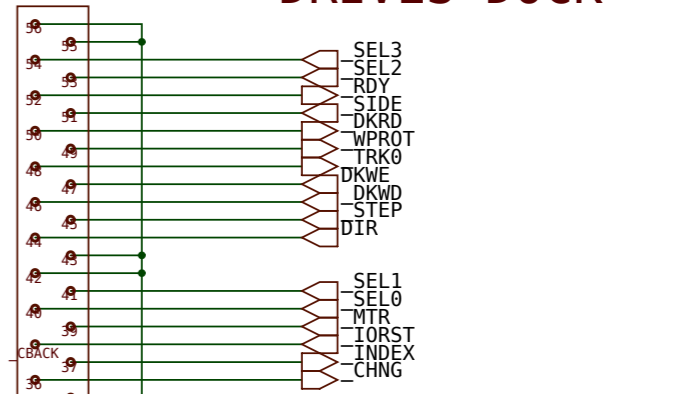
PATH: /project/a40t/p017/serpar

Crazy on this ship of fools

ACTIVE TERMINATION



DRIVES DOCK



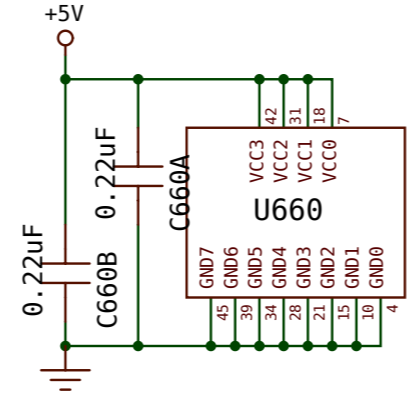
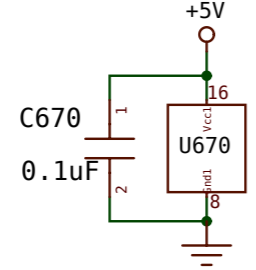
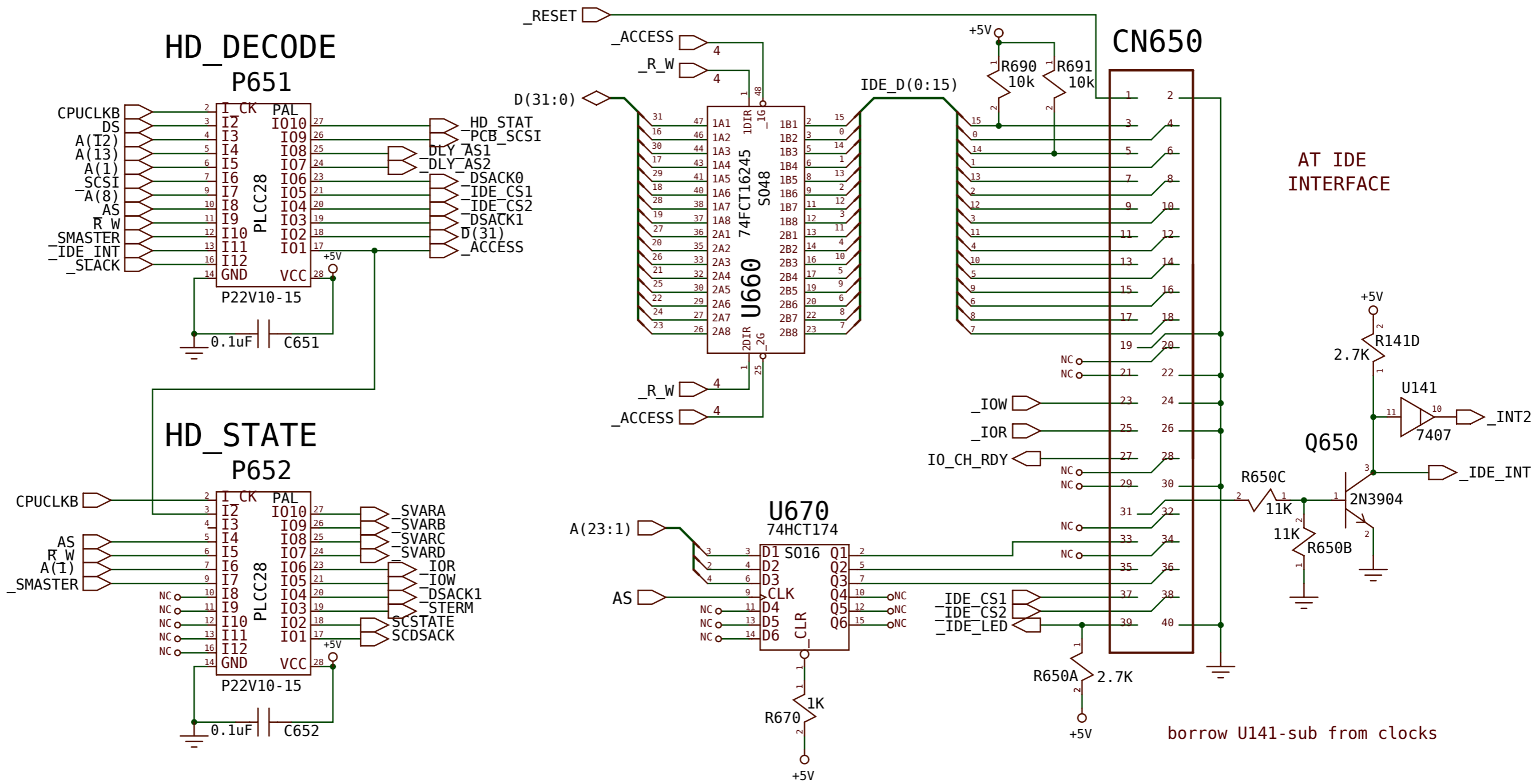
600-649

SCSI

© 1992 COMMODORE-AMIGA, INC.
 Information contained herein is the unpublished, confidential and trade secret property of Commodore-Amiga, Inc. Any use, reproduction, or disclosure of this information without the prior written permission of Commodore is strictly prohibited.
 C.A.D. Generated
 No manual changes may be made to this document

	DRAWN BY: DAVE HAYNIE	DATE: 6/25/92	Commodore	
	ENGR: PAL	06/11/93	SCHEMATIC	
REFERENCE GROUP			SIZE: C	365149
USED ON: A4000T	NEXT ASSY: 365150	SCALE: NONE	SHEET: 11	REV: C
PATH: /project/aa4t/pcb7/scsi				

She moves in mysterious ways

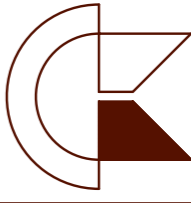


650-699

AT IDE HD Interface

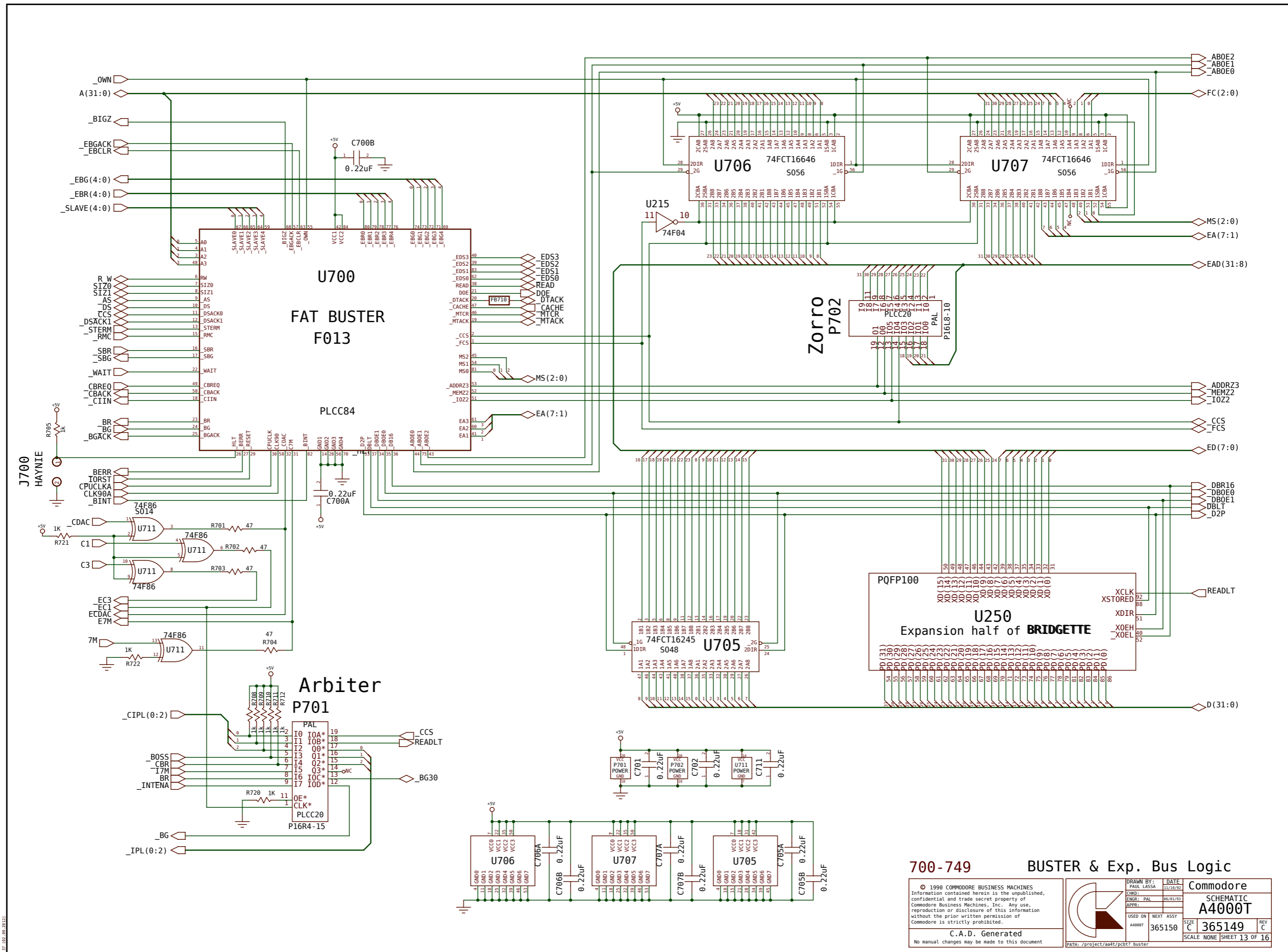
© 1990 COMMODORE BUSINESS MACHINES
 Information contained herein is the unpublished, confidential and trade secret property of Commodore Business Machines, Inc. Any use, reproduction or disclosure of this information without the prior written permission of Commodore is strictly prohibited.

C.A.D. Generated
 No manual changes may be made to this document

	DRAWN BY: PAUL LASSA	DATE: 11/10/92	Commodore SCHEMATIC A4000T
	CHKD: ENGR: PAL	06/11/93	
	APPR:		
REFERENCE GROUP			SIZE C
USED ON A4000T	NEXT ASSY 365150	365149	REV C
PATH: /project/aa4t/pcbt7 harddisk			SCALE NONE SHEET 12 OF 16

I, wanna Rock and Roll all night

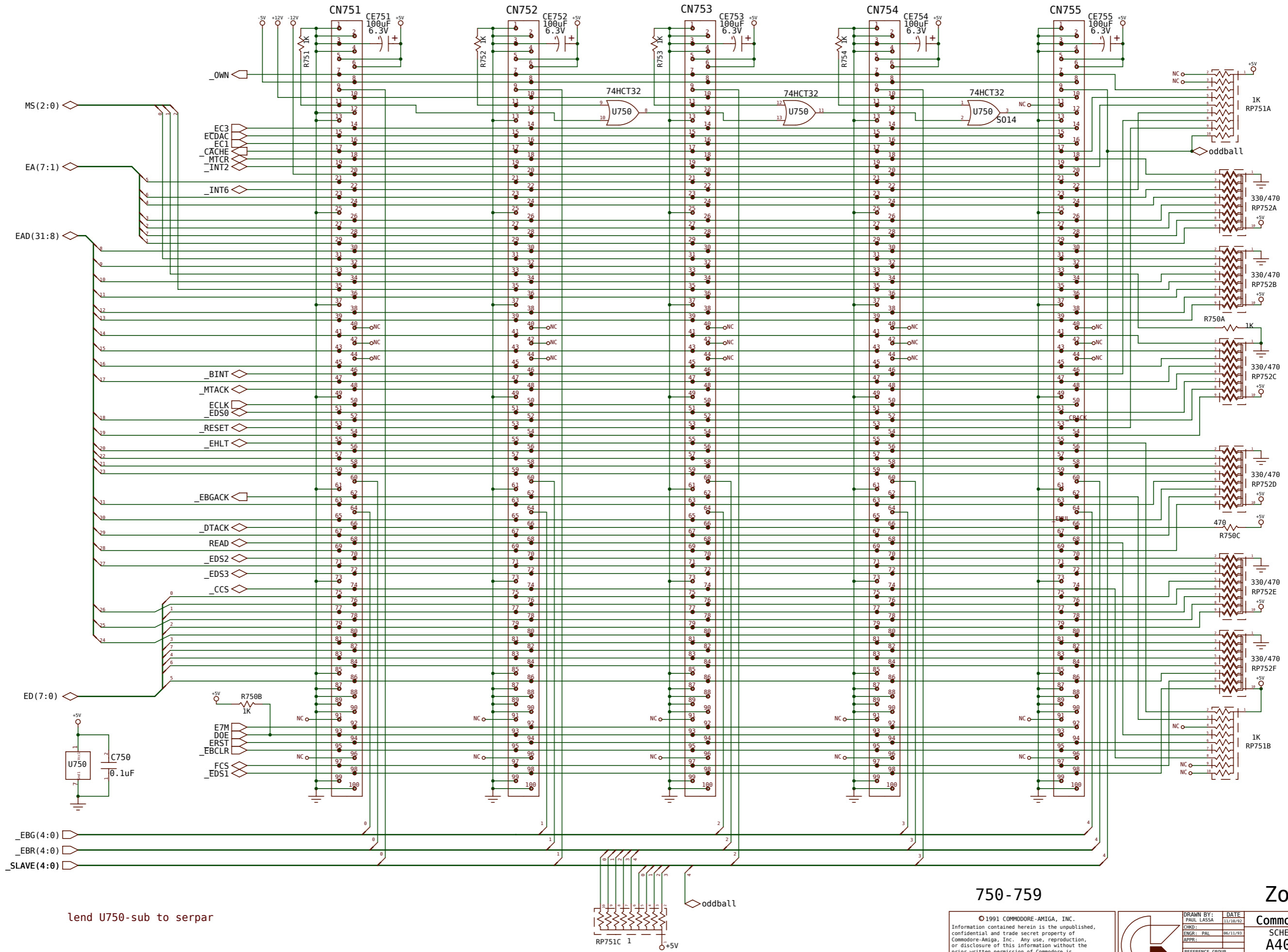
Rev. 1.37 (02.09.2012)



700-749 BUSTER & Exp. Bus Logic

© 1990 COMMODORE BUSINESS MACHINES Information contained herein is the unpublished, confidential and trade secret property of Commodore Business Machines, Inc. Any use, reproduction or disclosure of this information without the prior written permission of Commodore is strictly prohibited.	DRAWN BY: PAUL LASSA DATE: 11/18/92 ENGR: PAL APPR: 06/01/93 USED ON: A4000T NEXT ASSY: 365150	COMMODORE SCHEMATIC A4000T SIZE: C 365149 SCALE: NONE SHEET 13 OF 16
---	---	---

C.A.D. Generated
No manual changes may be made to this document



lend U750-sub to serpar

750-759

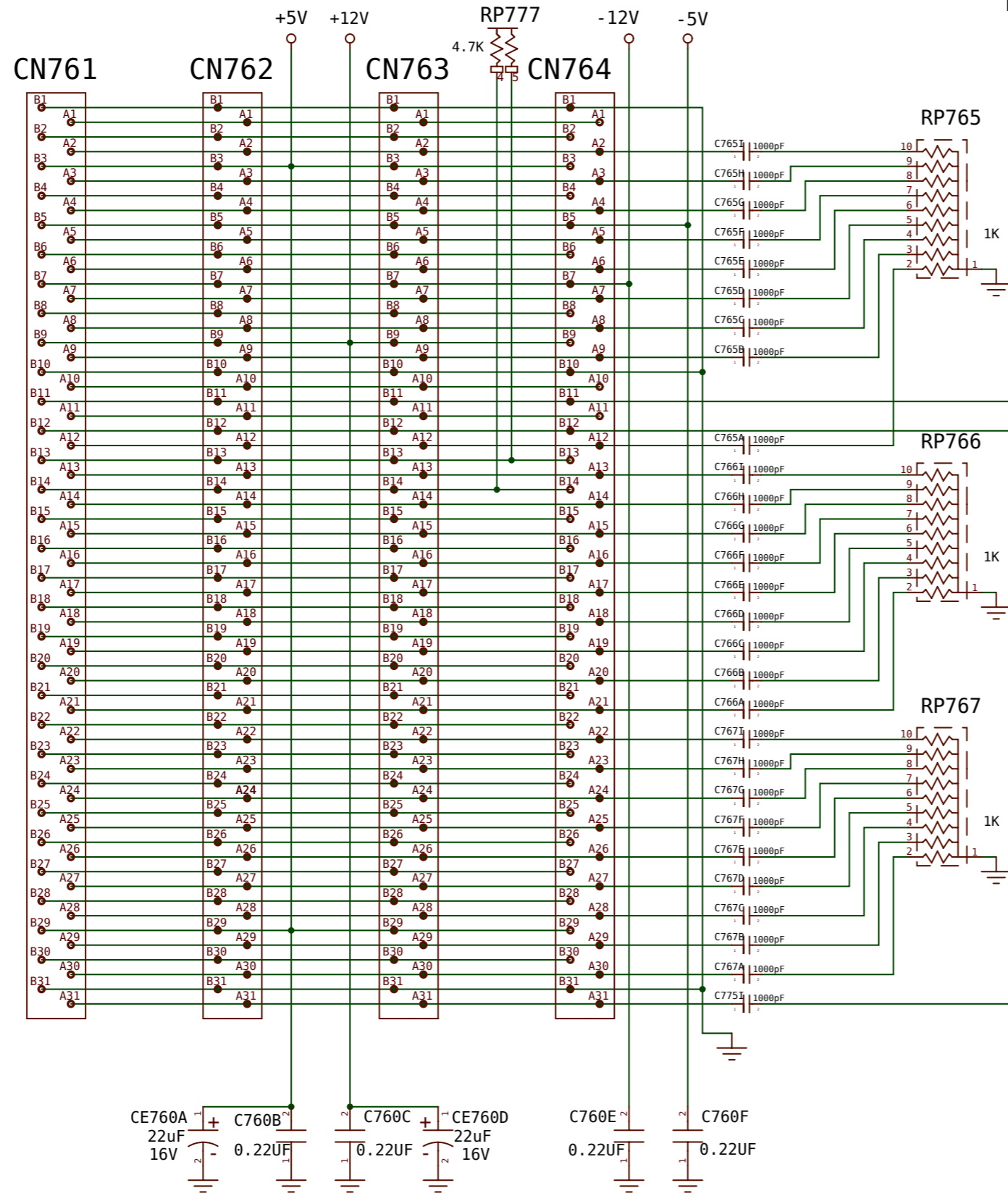
Zorro

© 1991 COMMODORE-AMIGA, INC. Information contained herein is the unpublished, confidential and trade secret property of Commodore-Amiga, Inc. Any use, reproduction, or disclosure of this information without the prior written permission of Commodore is strictly prohibited.		DRAWN BY: PAUL LASSA CHKD: PAL ENGR: PAL APPR: PAL DATE: 11/18/92		Commodore SCHEMATIC A4000T	
C.A.D. Generated		REFERENCE GROUP		SIZE C	REV C
No manual changes may be made to this document		USED ON A4000T	NEXT ASSY 365150	SCALE NONE	SHEET 14 OF 16

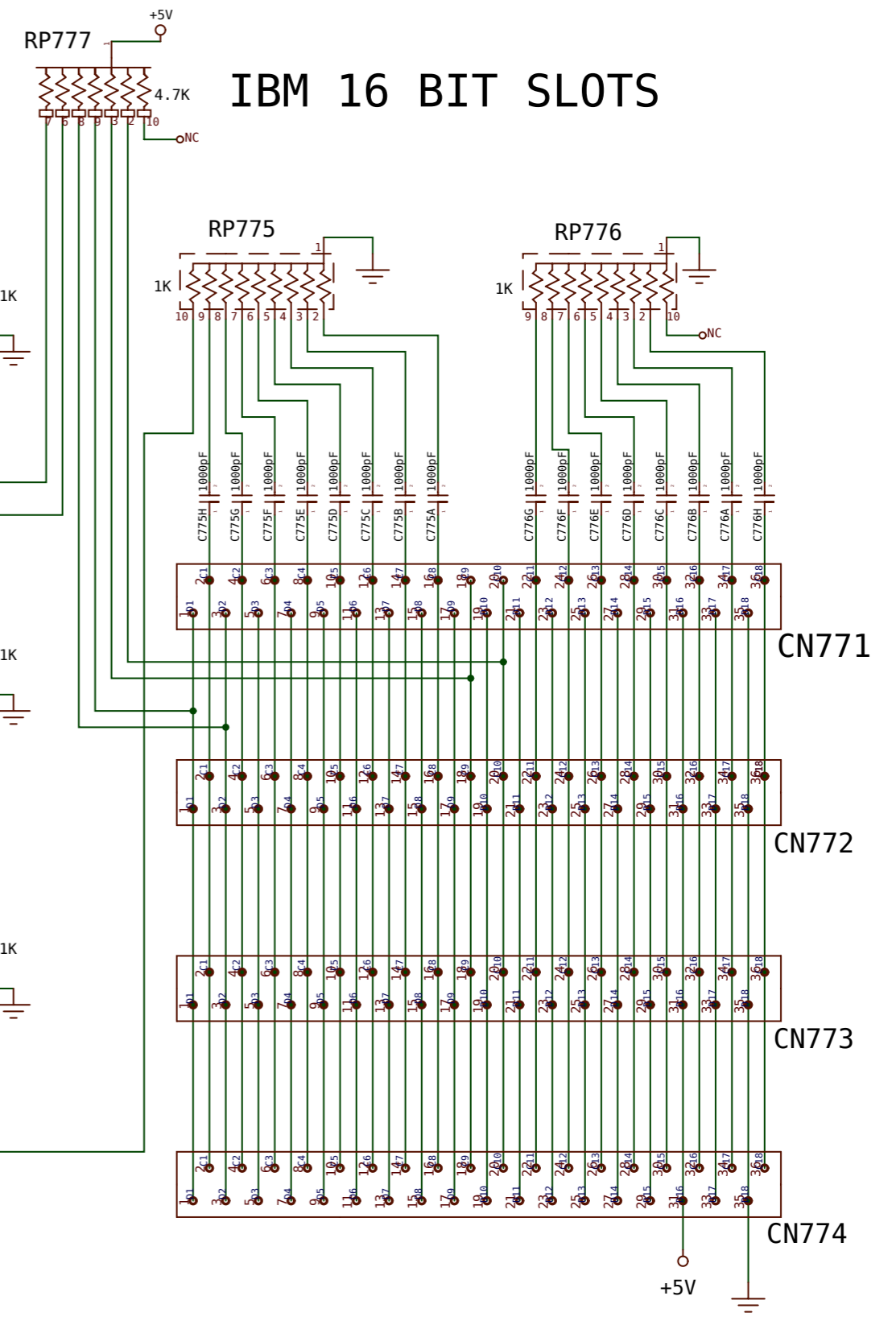
Take me to the highest Mountain...

Rev: 1.37 (02.09.2012)

IBM 8 BIT SLOTS



IBM 16 BIT SLOTS




760-799

PCslots

© 1991 COMMODORE-AMIGA, INC.
 Information contained herein is the unpublished, confidential and trade secret property of Commodore-Amiga, Inc. Any use, reproduction, or disclosure of this information without the prior written permission of Commodore is strictly prohibited.

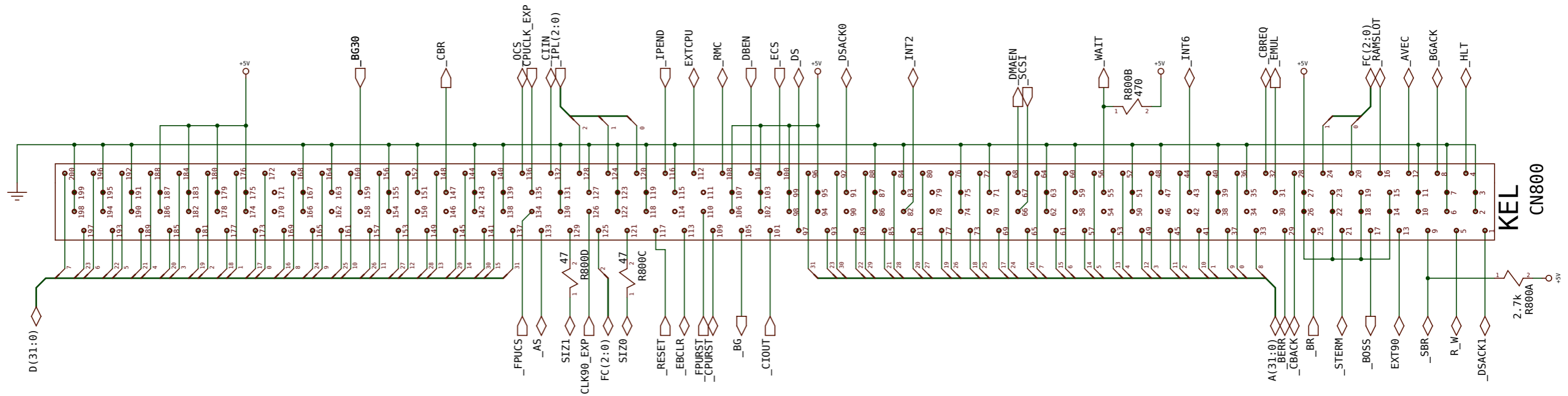
C.A.D. Generated
 No manual changes may be made to this document

	DRAWN BY: PAUL LASSA	DATE 11/18/92	Commodore SCHEMATIC A4000T
	CHKD: ENGR: PAL	06/11/93	
REFERENCE GROUP		USED ON A4000T	SIZE C
NEXT ASSY 365150		SCALE NONE	REV C
PATH: /project/aa4t/pcbt7 pcslots			SHEET 15 OF 16

but the shadows still remain...

Rev. 1.37 (02.09.2012)

Amiga 32 BIT LOCAL SLOT



PROCESSOR CARD DOCK

800-899

Processor

© 1990 COMMODORE BUSINESS MACHINES Information contained herein is the unpublished, confidential and trade secret property of Commodore Business Machines, Inc. Any use, reproduction or disclosure of this information without the prior written permission of Commodore is strictly prohibited.		DRAWN BY: PAUL LASSA DATE: 11/18/92 CHKD: PAL ENGR: PAL APPR: PAL REFERENCE GROUP:		Commodore SCHEMATIC A4000T	
C.A.D. Generated No manual changes may be made to this document		USED ON: A4000T NEXT ASSY: 365150	SIZE: C SCALE: NONE	REV: C SHEET: 16 OF 16	PATH: /project/aa4t/pcb7/processor

We hope you have enjoyed the show...