

# Amiga

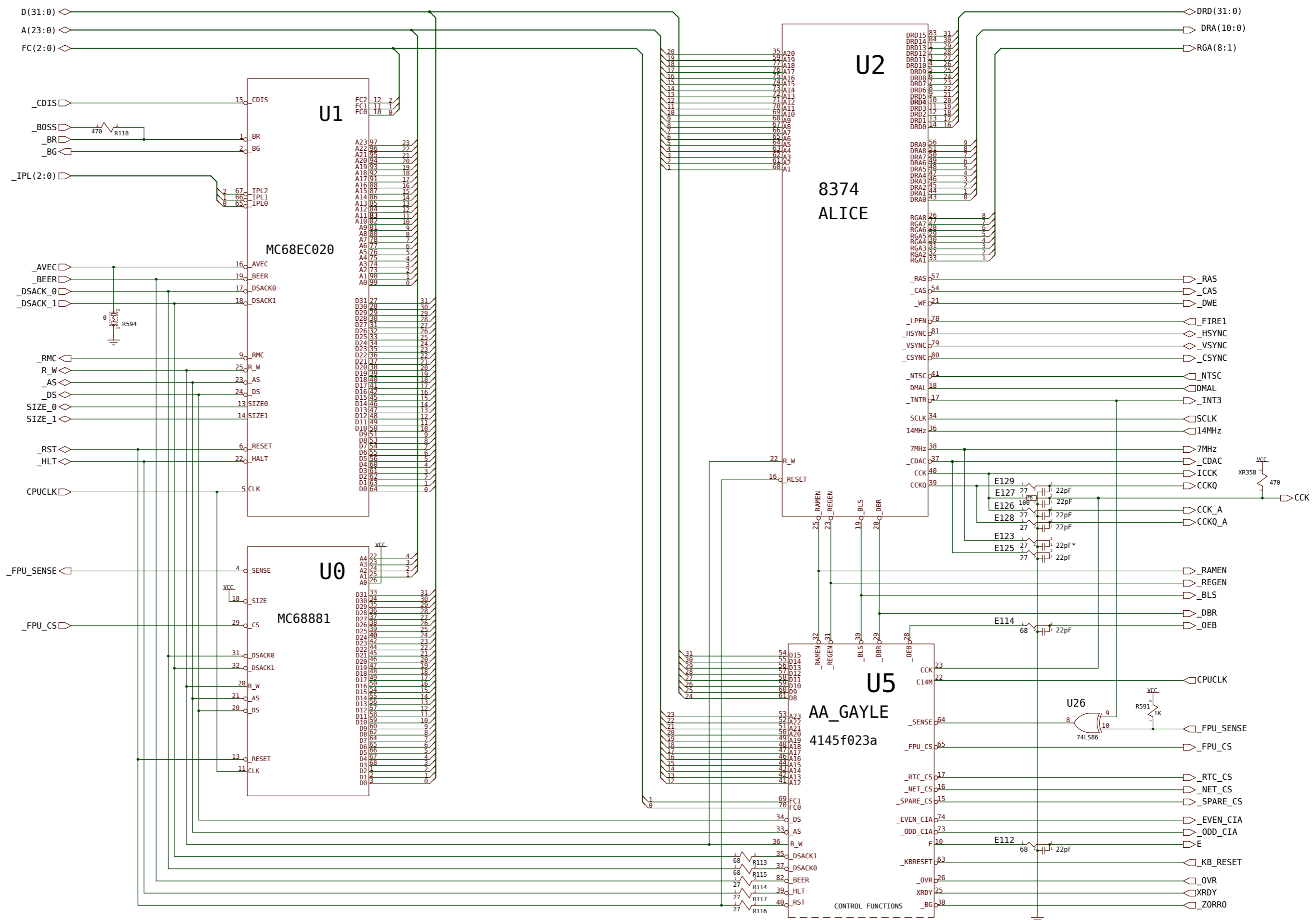
## A1200\_R2

Rev.1.38 (06.09.2012)



[www.amigawiki.org](http://www.amigawiki.org)





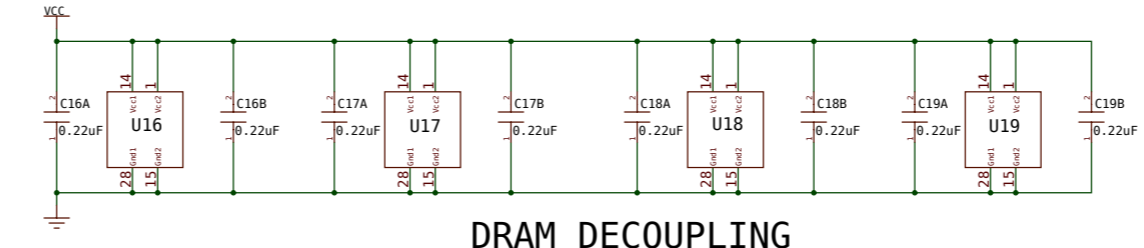
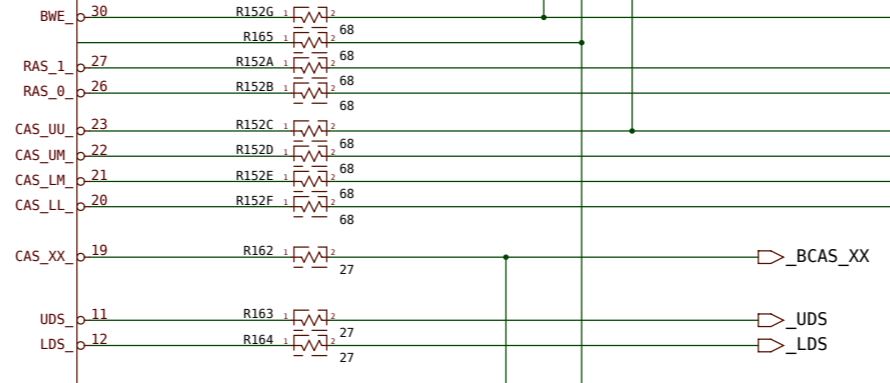
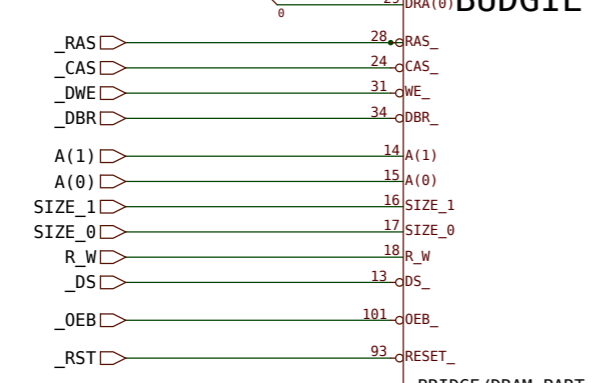
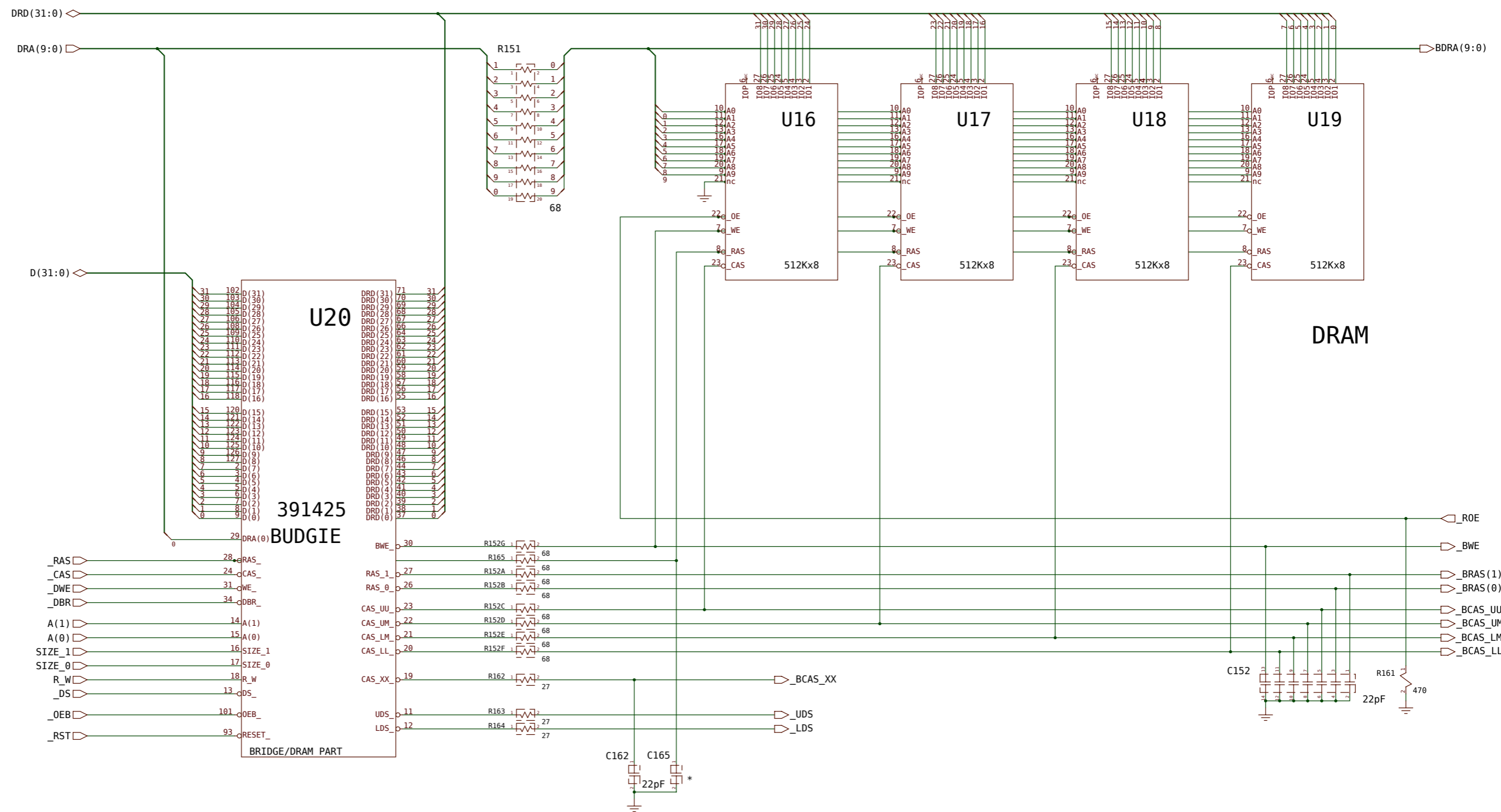
**Channel Z**  
A1200 Rev 2 PCB

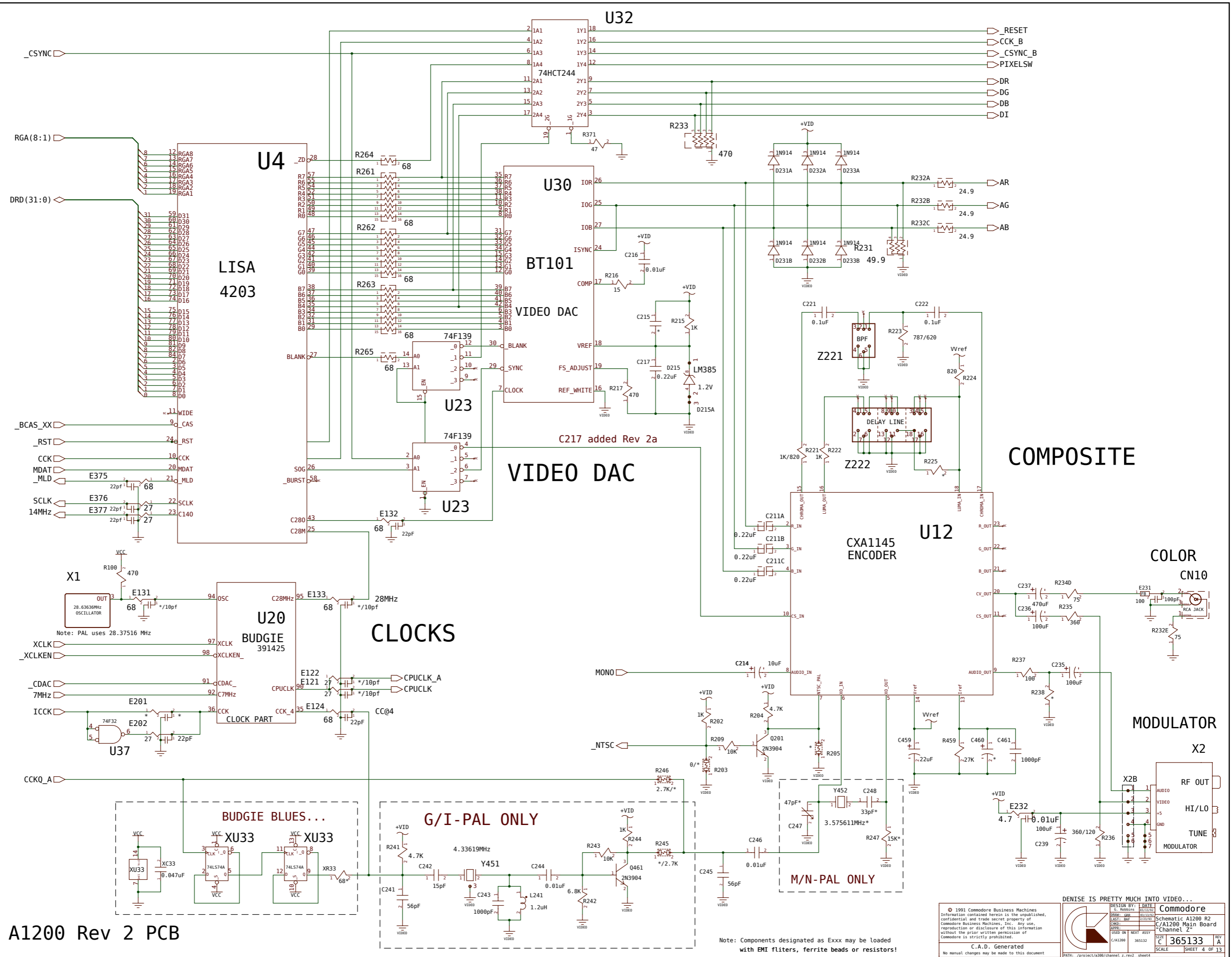
**04/19/92**

Note: Various components are for EMI Control and may be loaded with funny things...

PROCESSOR AND OTHER USEFUL COMPONENTS		DESIGN BY: G. Robbins		DATE: 03/22/92	
© 1991 Commodore Business Machines. Information contained herein is the unpublished, confidential and trade secret property of Commodore Business Machines, Inc. Any use, reproduction or disclosure of this information without the prior written permission of Commodore is strictly prohibited.		Commodore		Schematic A1200 R2	
C.A.D. Generated		C/A1200		Main Board	
No manual changes may be made to this document		365132		Channel Z	
DATE: /rprojct/a1200/channel_z.cn2_ssheet2		SCALE: C		SHEET 2 OF 13	

Rev. 1.00 04/19/92





A1200 Rev 2 PCB

rebuild for www.amigawiki.org - for private use only

Note: Components designated as Exxx may be loaded with EMI filters, ferrite beads or resistors!

© 1991 Commodore Business Machines  
 Information contained herein is the unpublished, confidential and trade secret property of Commodore Business Machines, Inc. Any use, reproduction or disclosure of this information without the prior written permission of Commodore is strictly prohibited.

DESIGN BY: G. Robbins  
 DATE: 03/21/92  
 BOARD: 200  
 LAST: 04/22/92  
 CMB: 02/23/92  
 APPR: [Signature]

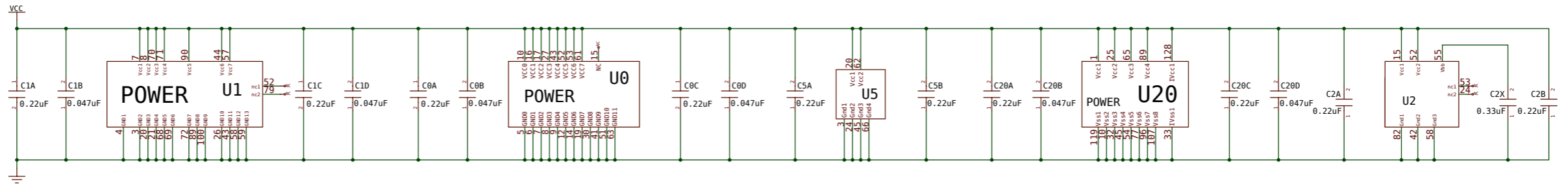
USID ON: [Blank]  
 C/A1200: 365132  
 SCALE: [Blank]

Commodore  
 Schematic A1200 R2  
 C/A1200 Main Board  
 Channel Z  
 SIZE: [Blank]  
 C 365133  
 SHEET 4 OF 13

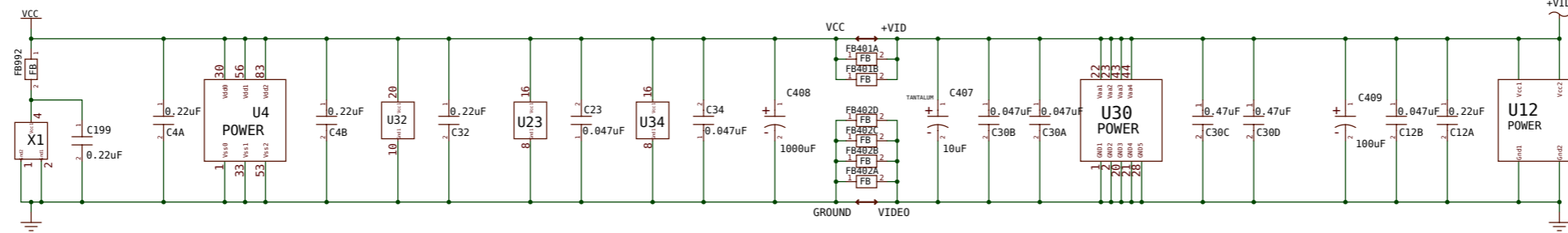
Denise is pretty much into video...  
 PATH: z:\projects\300\channel1\_r\_rev2\_sheets4



## GENERAL DECOUPLING

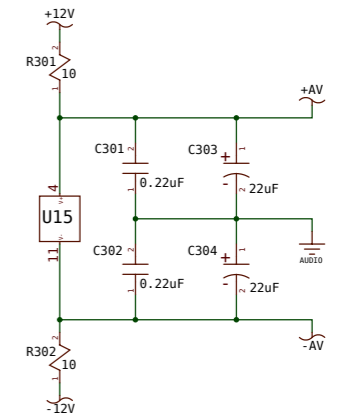


## VIDEO DECOUPLING

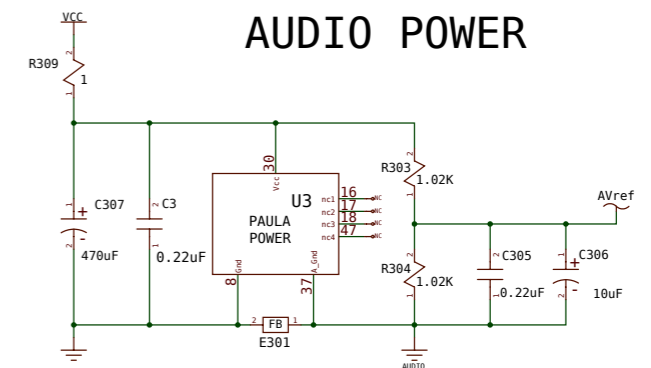


Note: Common Ground at DAC

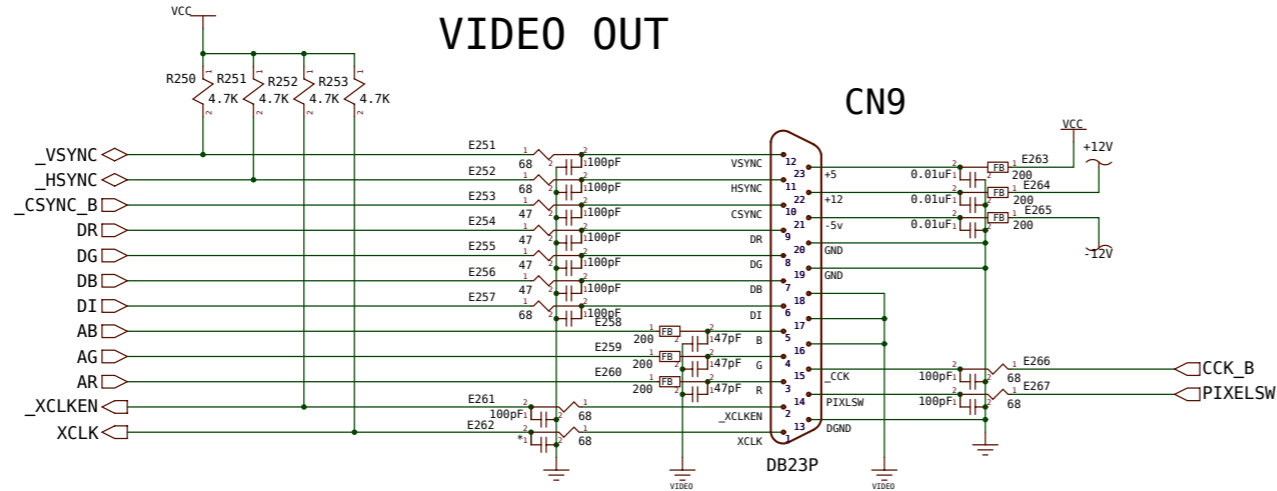
## AUDIO DECOUPLING



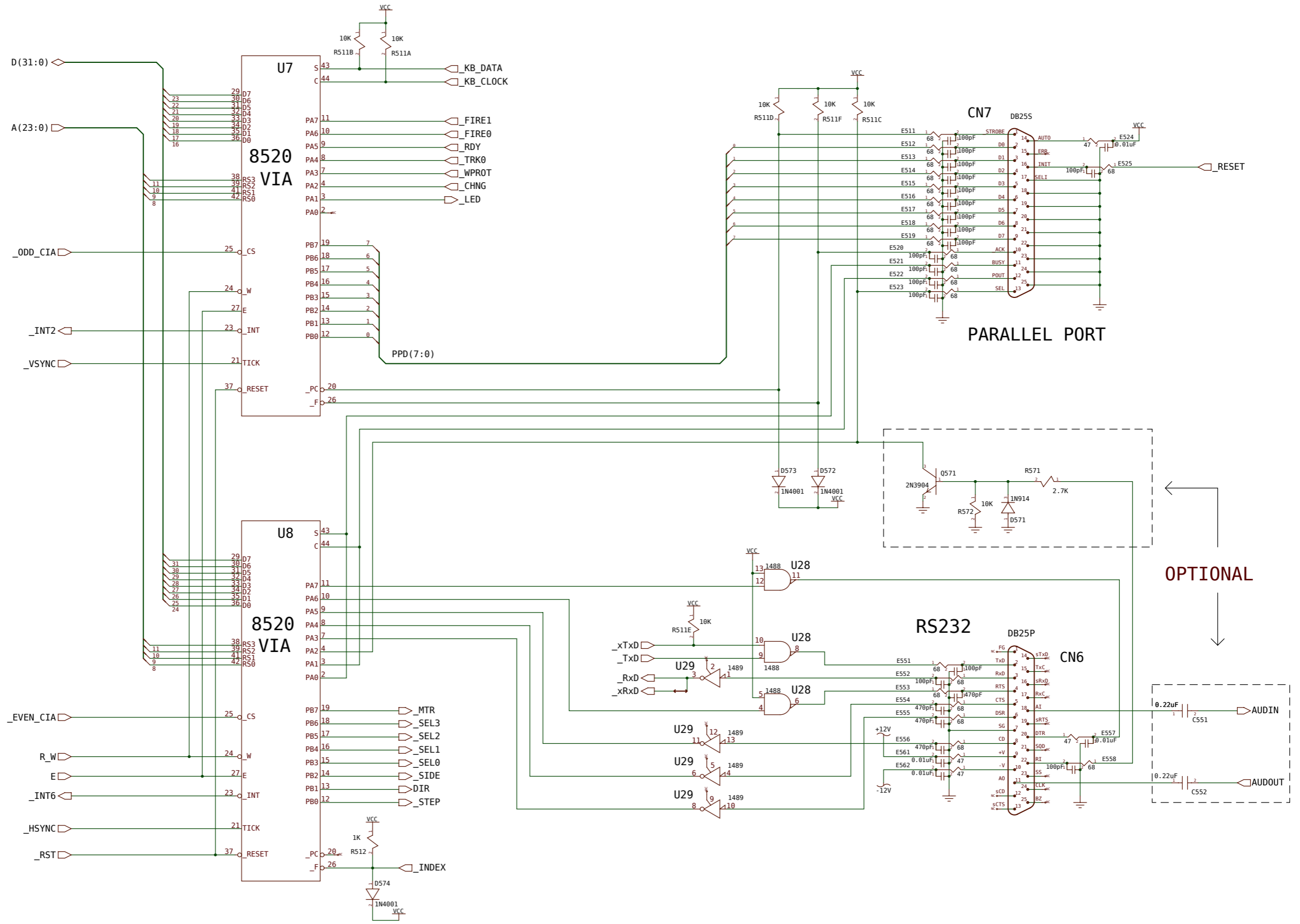
## AUDIO POWER



Note: Common Ground near Jacks







# A1200 Rev 2 PCB

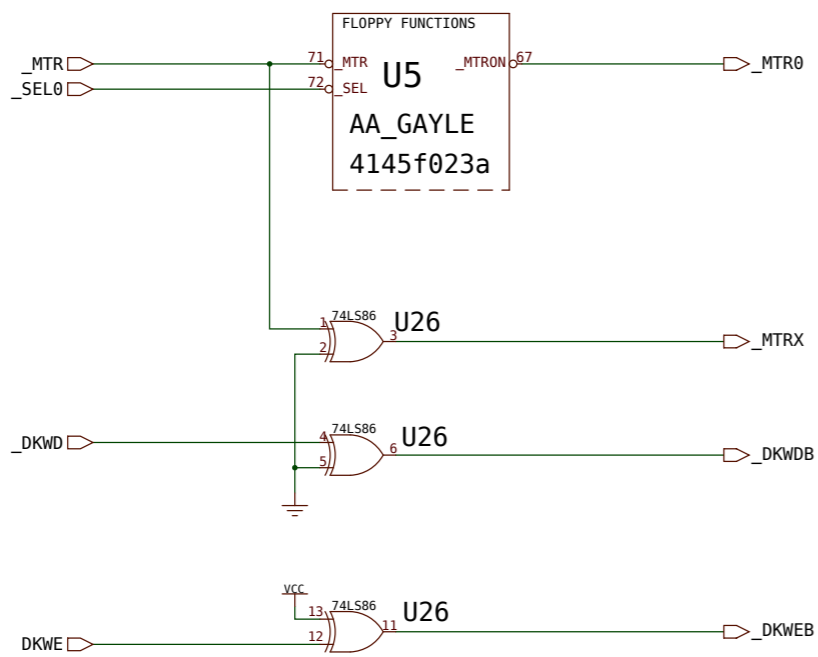
Rev 2.00 06/05/2013

© rebuild for www.amigawiki.org · for private use only

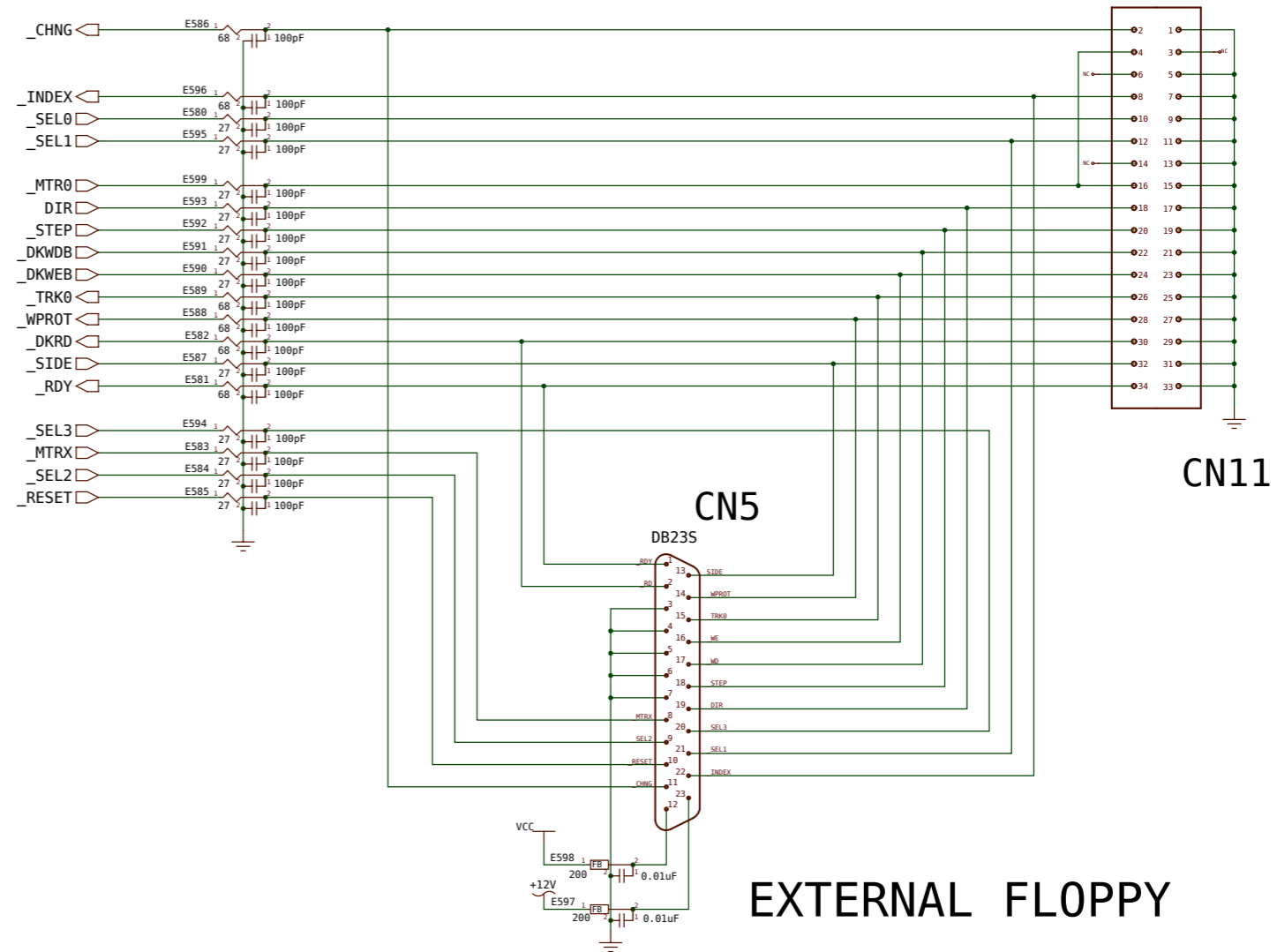
DESIGNER		DATE	
G. Robbins		03/22/92	
DRAWN		03/22/92	
CHECKED		03/22/92	
APPROVED		03/22/92	
USED ON	NEXT ASSY	SIZE	REV
C/A1200	365132	C	A
SCALE		SHEET 7 OF 13	
C.A.D. Generated		Commodore	
No manual changes may be made to this document		Schematic A1200 R2 C/A1200 Main Board "Channel Z"	
PARTS: /projects/a300/channel_z_rev2_sheet7		C 365133	



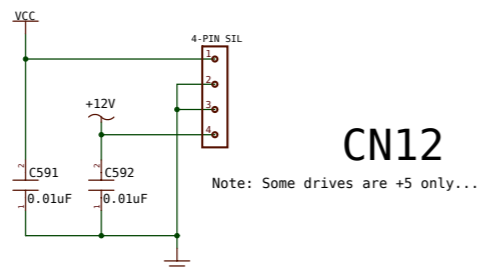
# FLOPPY LOGIC



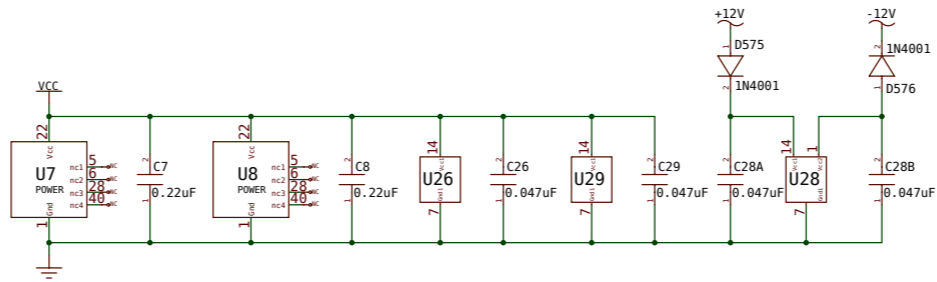
# INTERNAL FLOPPY



# FLOPPY POWER



# EXTERNAL FLOPPY



# DECOUPLING

# KEYBOARD TAIL

CN13

# KEYBOARD MPU

U13

68HC05C  
KEYBOARD  
MICRO

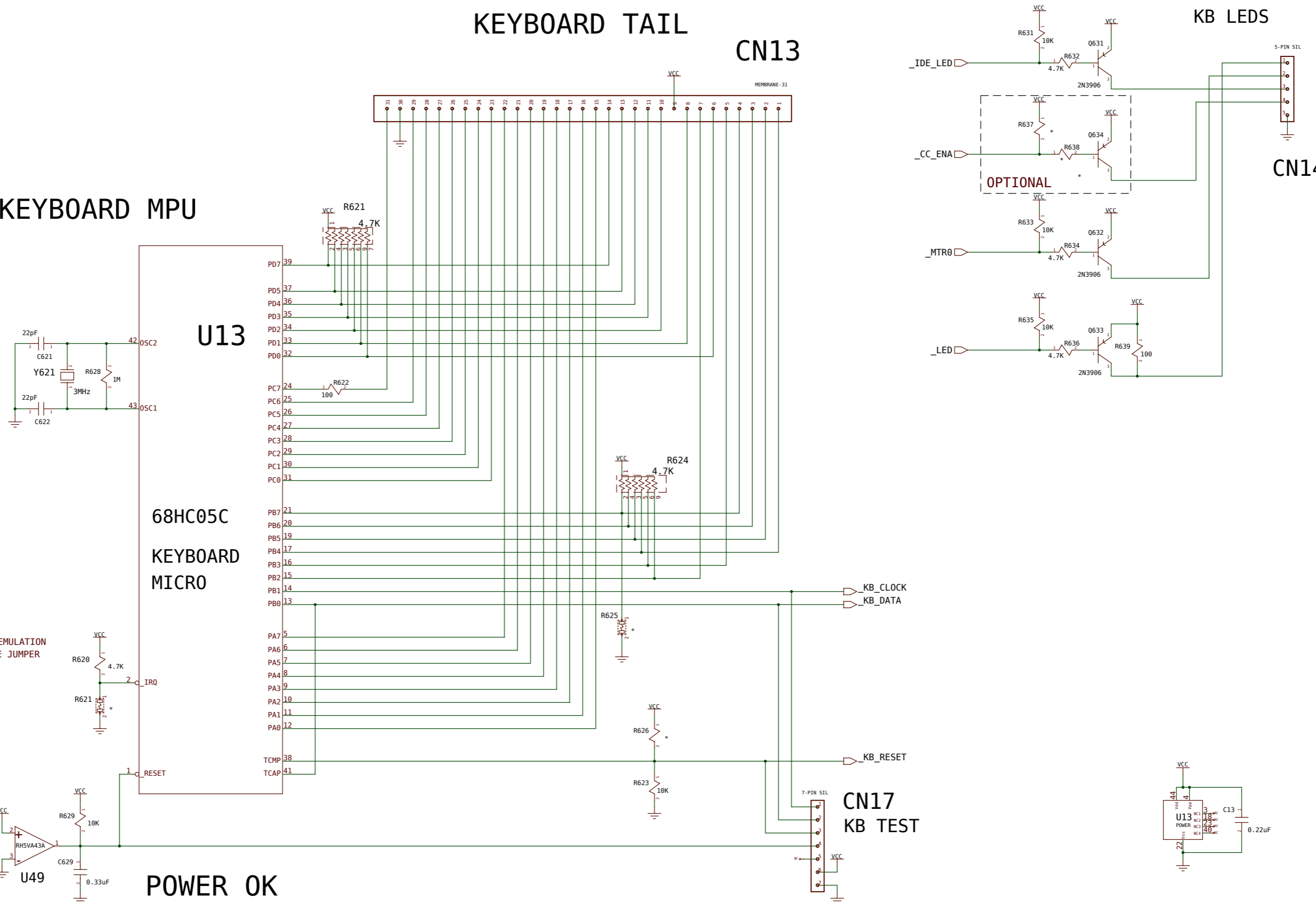
POWER OK

# KB LEDS

CN14

CN17  
KB TEST

N.P. EMULATION  
ENABLE JUMPER



A1200 Rev 2 PCB

Rev 1.00 (06.05.2012)

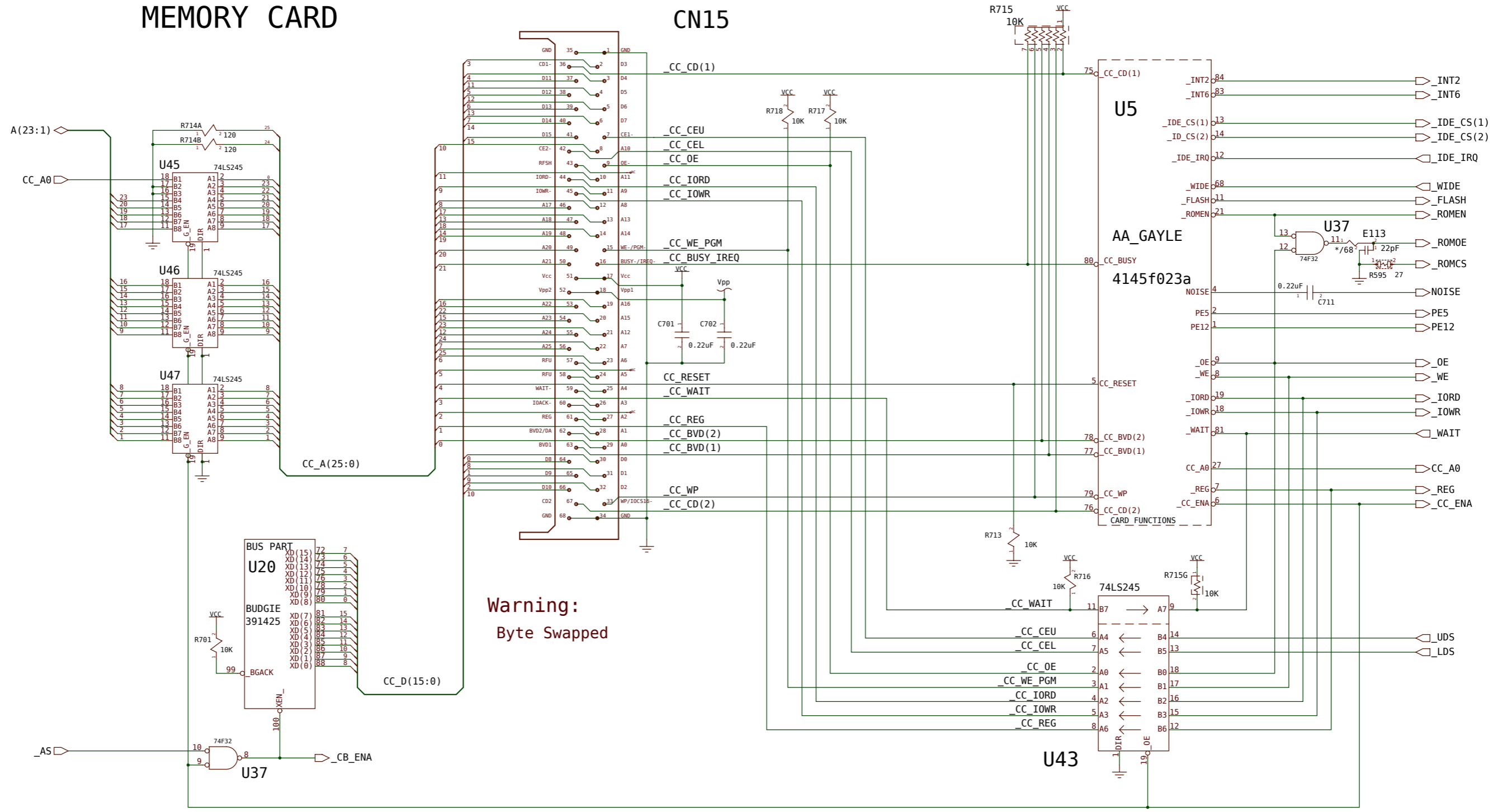
© rebuild for www.amigawiki.org · for private use only

THE NEW HOME OF THE KEYBOARD VIRUS

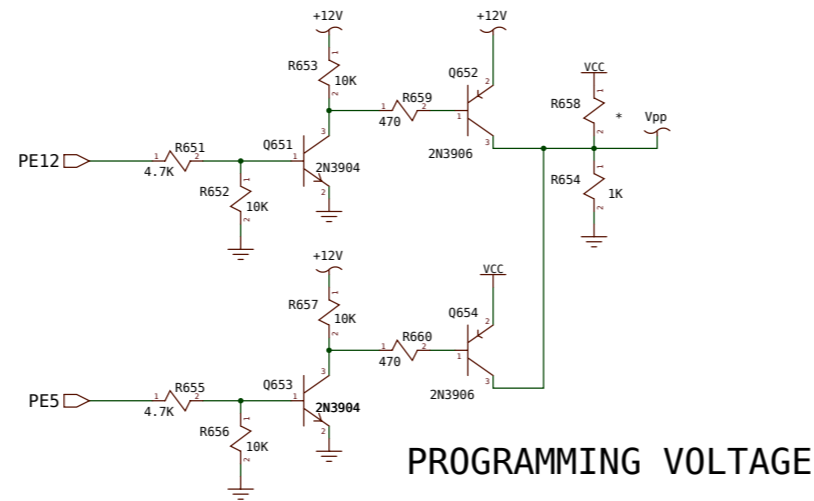
DESIGN BY: G. Robbins	DATE: 03/22/92	Commodore Schematic A1200 R2 "Channel Z"
ORIG: 208	REV: 01/21/92	
LAST: 208	REV: 01/21/92	USID OR: C/A1200
CHG: 365	REV: 01/21/92	NEXT ASSY: 365132
USID OR: C/A1200	REV: 01/21/92	SIZE: C
NEXT ASSY: 365132	REV: 01/21/92	SCALE: 1:1
C.A.D. Generated	REV: 01/21/92	SHEET: 9 OF 13
No manual changes may be made to this document	DATE: /rproject/a300/channel_z.cn2 sheet9	



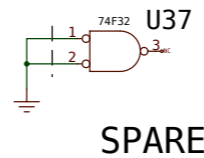
# MEMORY CARD



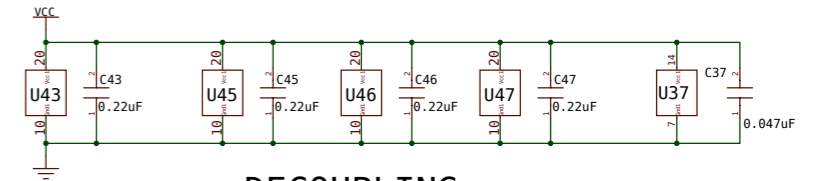
**Warning:**  
Byte Swapped



PROGRAMMING VOLTAGE



SPARE



DECOUPLING

A1200 Rev 2 PCB

Rev 1.00 08/04/2012

© rebuild for www.amigawiki.org · for private use only

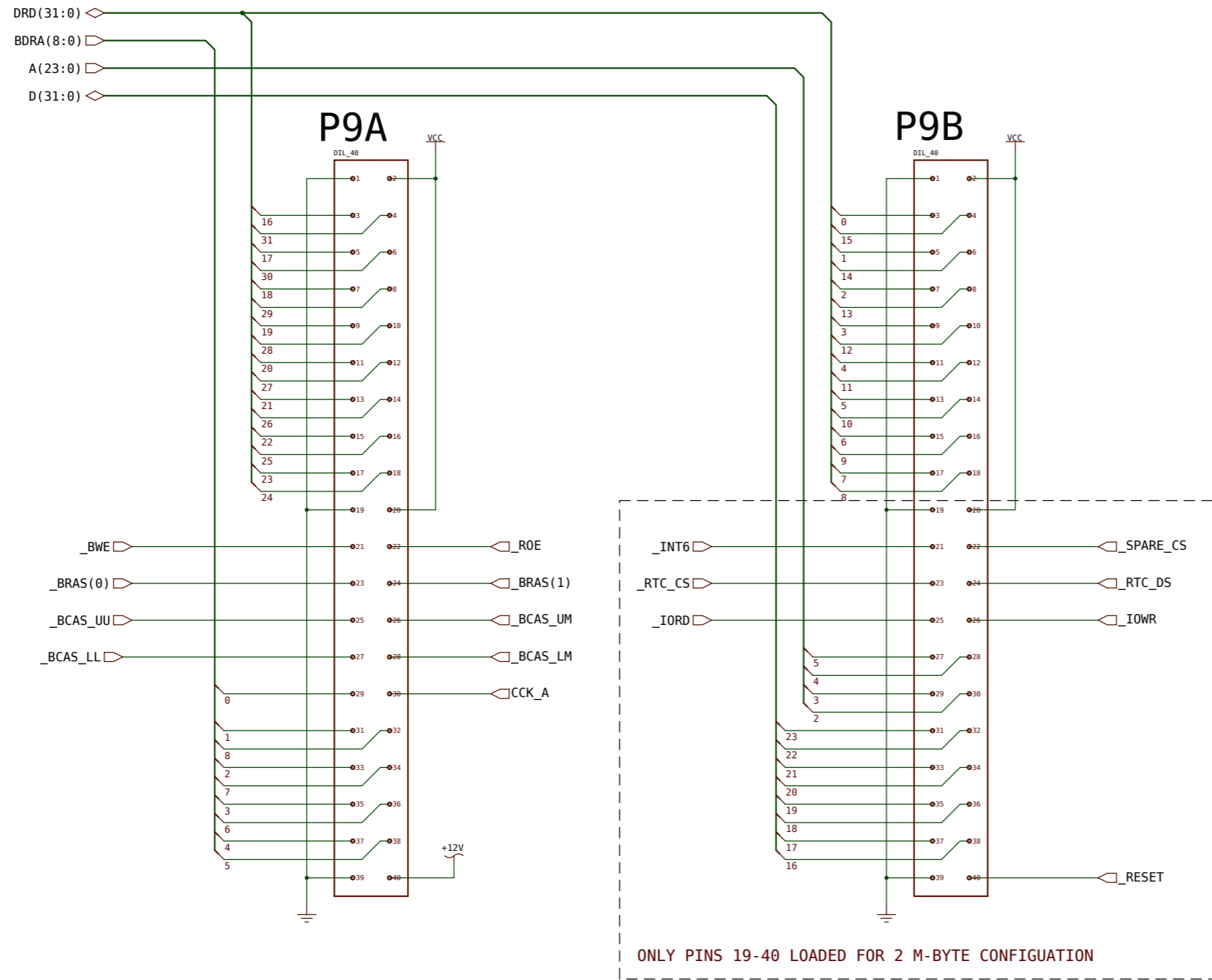
THE KISSY FACE CREDIT CARD MONSTER

DESIGN BY: G. Robbins	DATE: 03/22/92	Commodore
DESIGN: 308	REV: 01/11/92	
LAST: 001	REV: 01/11/92	Schematic A1200 R2
CMO: 000	REV: 01/11/92	C/A1200 Main Board
APPR: 000	REV: 01/11/92	"Channel Z"
USED ON: C/A1200	NEXT ASSY: 365132	SIZE: A
SCALE: 1:1	SHEET: 11	REV: 13

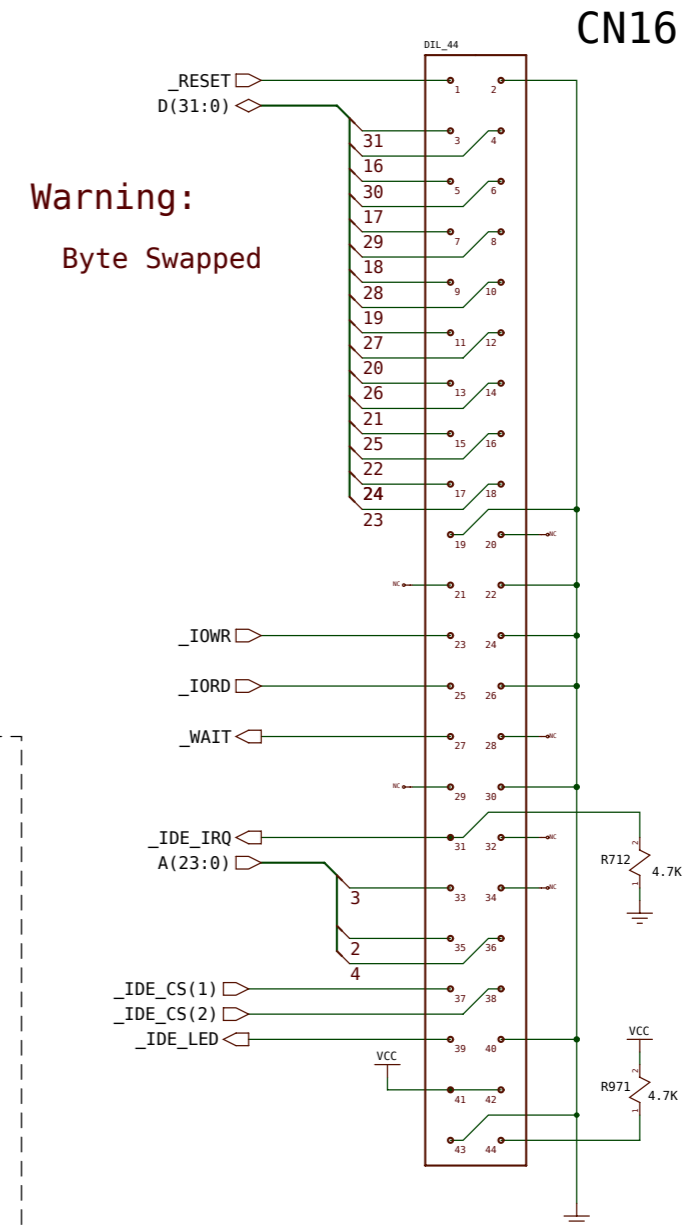
C.A.D. Generated  
No manual changes may be made to this document

PATH: /project/a1200/channel\_z.cn2 sheet11

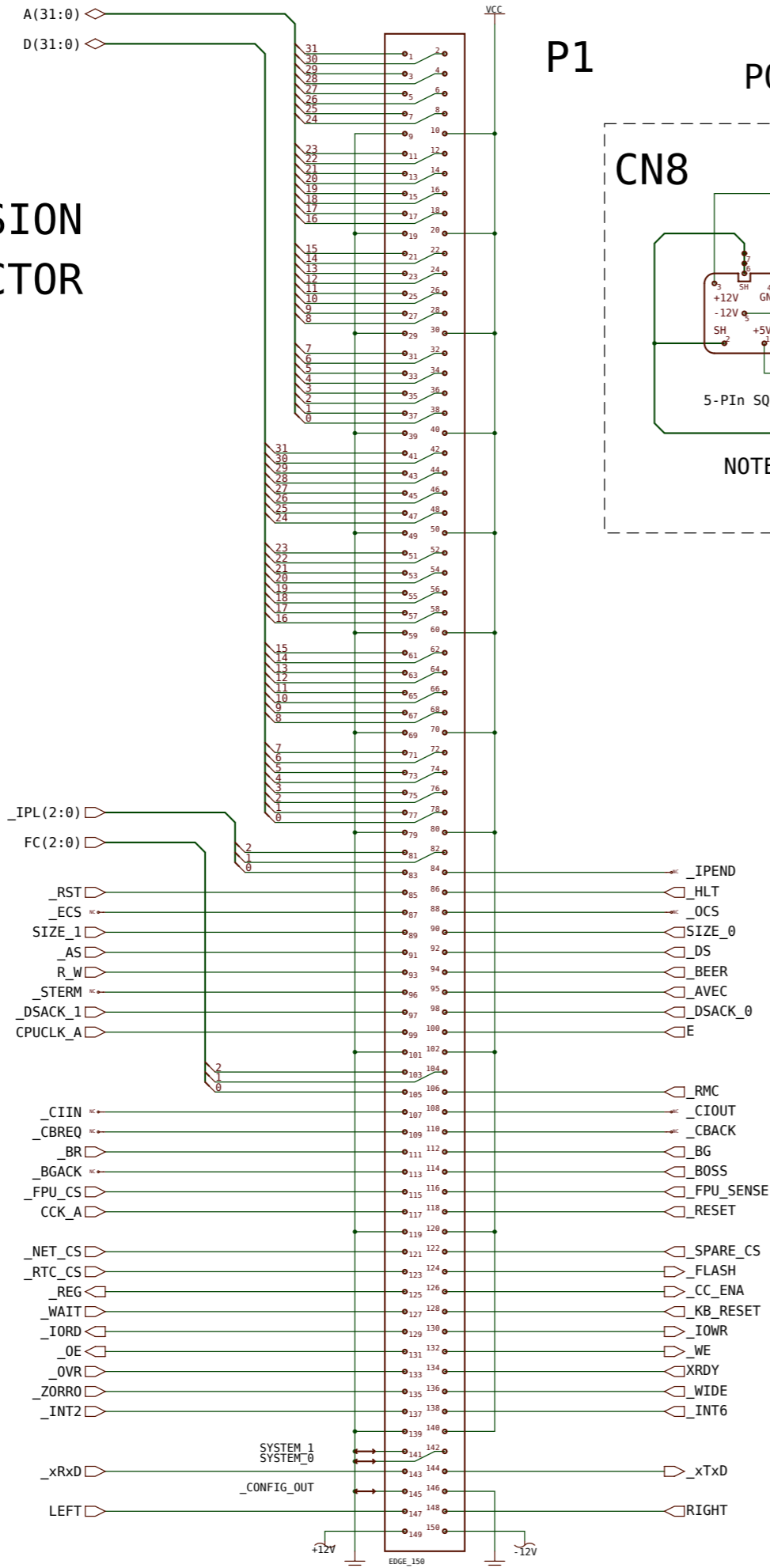
# MEMORY EXPANSION



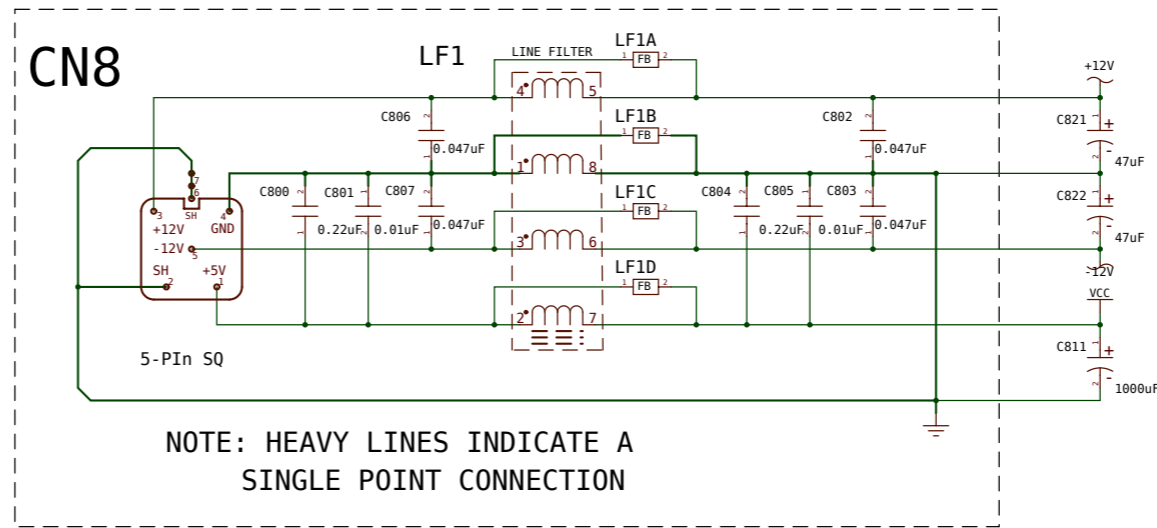
# IDE DRIVE



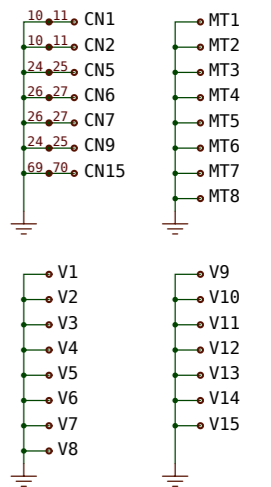
# EXPANSION CONNECTOR



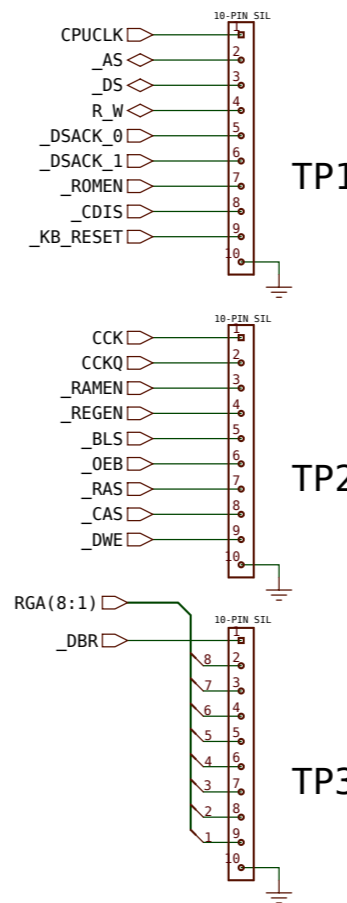
# P1 POWER INPUT FILTER



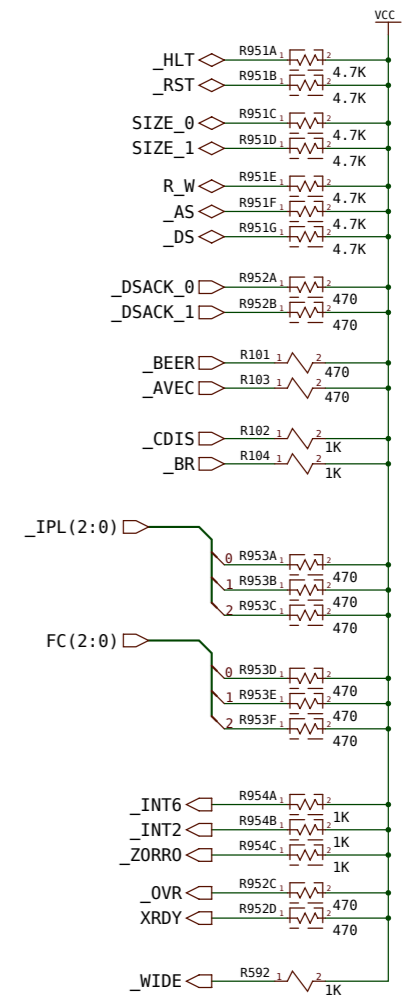
# HOLES &c.



# TEST ACCESS



# TERMINATION



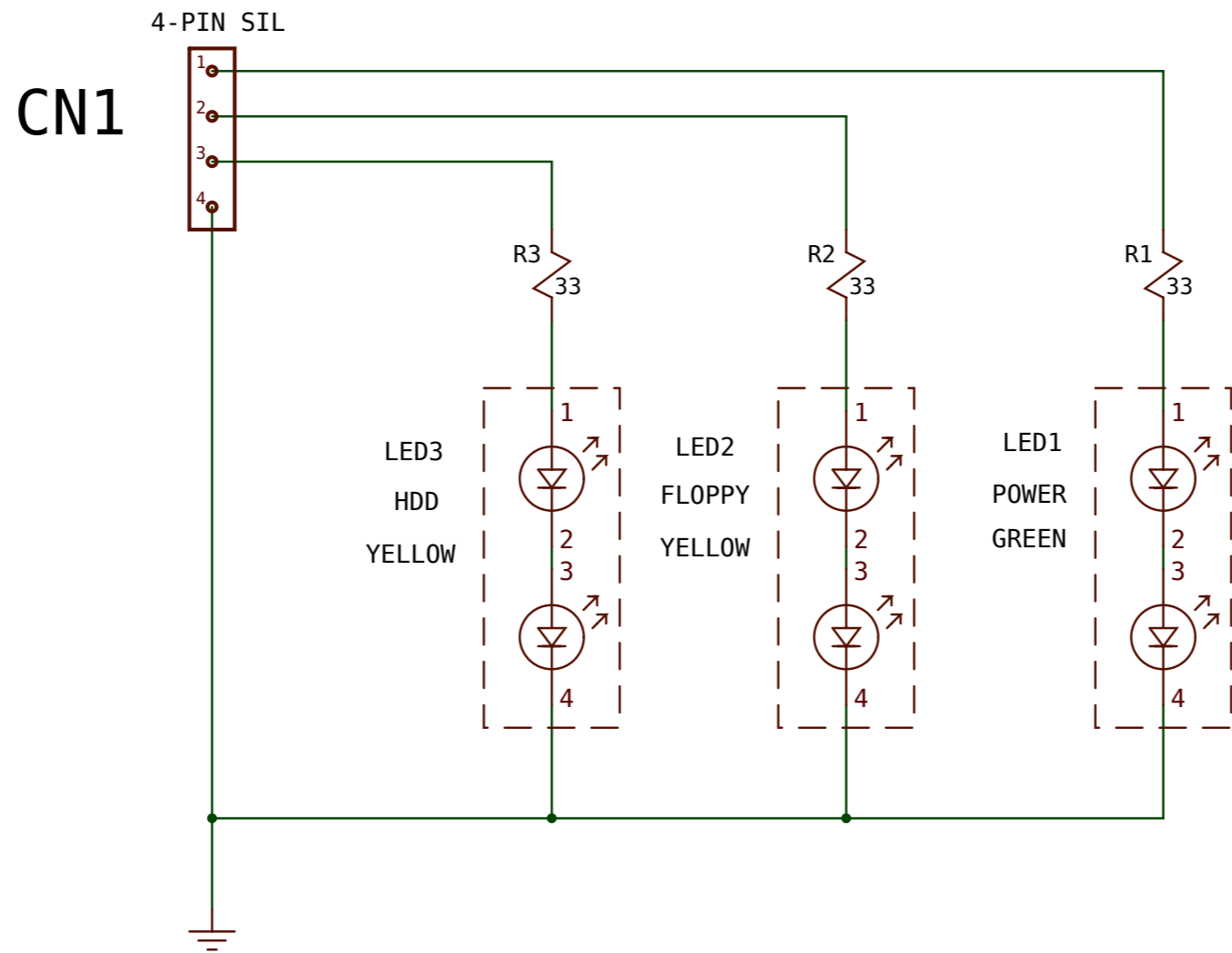
# System Configuration Bits

SYSTEM	<u>1</u>	<u>0</u>	CPU/CPUCLK
0	0	0	EC020/14MHZ
0	1	0	020/14MHZ
1	0	0	030/14MHZ
1	1	1	030/>14MHZ





REVISIONS				
REV	DESCRIPTION	DATE	APRVL	MANAGER
1	ADVANCE ENGINEERING RELEASE			




# A1200 LED PCB ASSEMBLY REV1

SHINE ON, SHINE ON

© 1991 Commodore Business Machines  
 Information contained herein is the unpublished,  
 confidential and trade secret property of  
 Commodore Business Machines, Inc. Any use,  
 reproduction or disclosure of this information  
 without the prior written permission of  
 Commodore is strictly prohibited.

C.A.D. Generated  
 No manual changes may be made to this document

	DESIGN BY:	B. FENIMORE	DATE	7/21/92	<b>Commodore</b> SCHEMATIC A1200 LED ASSY
	DRAW:	BAF	7/21/92		
	LAST:	BAF	7/21/92		
	CHKD:				
APPR:					
USED ON	A1200	NEXT ASSY	364963		
SIZE	A	364966	REV	1	
SCALE			SHEET	1 OF 1	

PATH: /user/fenimore/AA600/Led assy sheet1

Rev. 1.38 (06.09.2012)